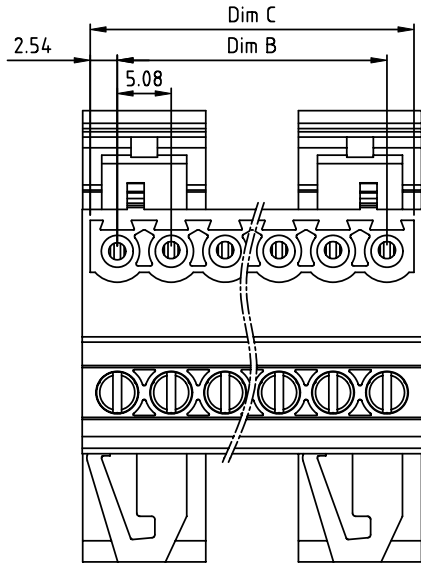


PRODUCT NUMBER	PITCH
V9xx51x400J0G	5.08 mm



Dimension

Dim A	$(N-1) \times 5.08 + 6.60$
Dim B	$(N-1) \times 5.08$
Dim C	$N \times 5.08$

N=Number of poles

Poles	Tolerance
2P - 6P	± 0.15
7P - 12P	± 0.20
13P - 18P	± 0.30
19P - 24P	± 0.40

PART NO.: V9 xx 51 x 4 00J0 G

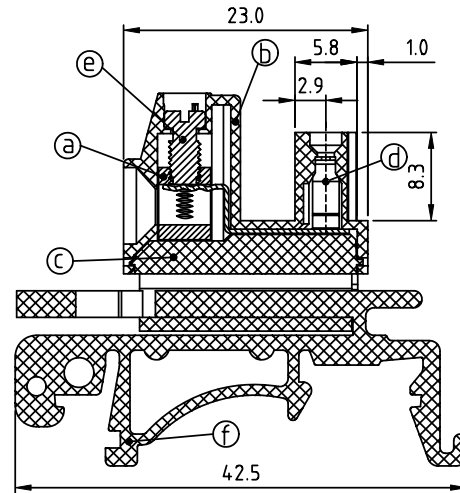
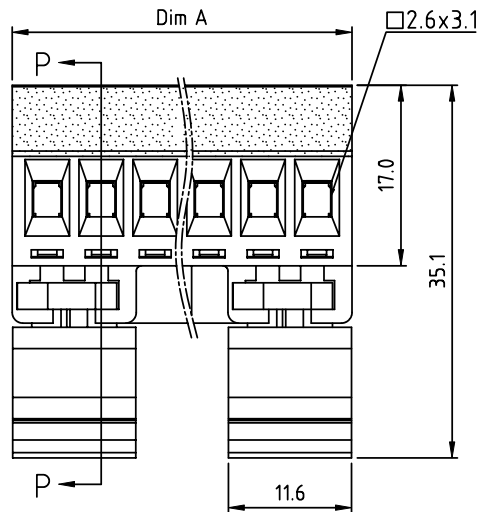
Solid block	No. of poles	Color	RoHS compliant (lead<4%) In copper Alloy
0	2	Black (RAL9005)	
02	3	Red (RAL3001/D)	
03	4	Orange(RAL2011/P)	
...	5	Yellow(RAL1018/A)	
...	6	Green(RAL6018/T)	
24	24	Blue (RAL5015/A)	
		8 Grey(RAL7035/D)	
		9 White(RAL1102)	
		C Green(RAL6018/U)	

Material:

- Item Ⓐ Clamp: Brass Ni plated
- Item Ⓑ Terminal (housing): Thermoplastic (UL94V-0)
- Item Ⓒ Terminal (Cover): Thermoplastic (UL94V-0)
- Item Ⓓ Male contact: PhBz, Tin plated.
- Item Ⓔ Terminal screw: Steel Zinc plating " - " slot type
- Item Ⓕ Terminal(track): Thermoplastic (UL94V-0)

Electrical: cULus

- Voltage rating: 300V
- Current rating: 12A
- Wire range:
- Solid wire(AWG):12-30
- Stranded wire(AWG):12-30
- Torque:5.2Lb-In.
- Screw:M3
- Wire strip length: 6-7 mm
- Withstanding Voltage: 1.6KV
- Operating temperature:-40°C to +115°C
- Safety Approval: cULus



SECTION P-P

mat'l. code		surface ASME Y14.5	tolerance ASME Y14.5	projection	product family TERMINAL BLOCK
ltr ecn no dr date		tolerances unless otherwise specified		MM	title TERMINAL BLOCK
		angles	X.±0.5	scale	PLUGGABLE PLUG,DINRAIL MOUNTING,B TYPE
		X*±1"	X.X±0.3		sheet 1 of 1 size
		dr	EVIN ZHONG 050414		dwg no V9xx51x400J0G
		enrg	EVIN ZHONG 050414		A4
		chr	HANKE FENG 050414		
		appd	SHI JUN 050414		type CUSTOMER Drawing
sheet index	revision sheet	A	1		