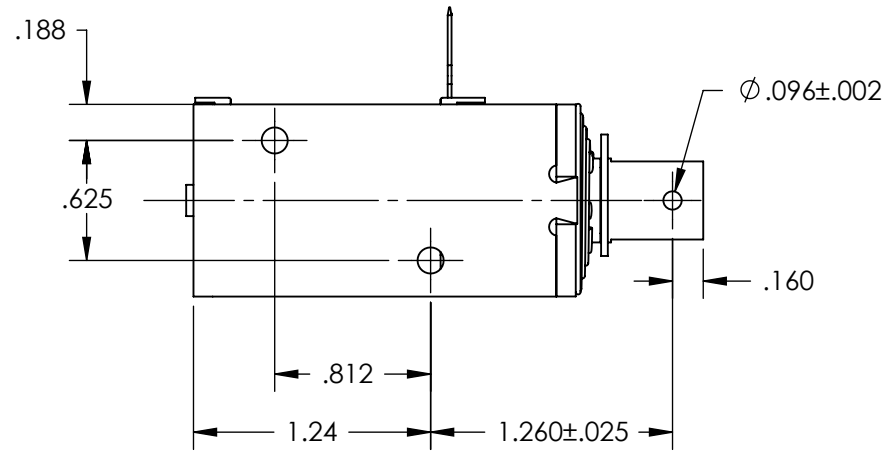
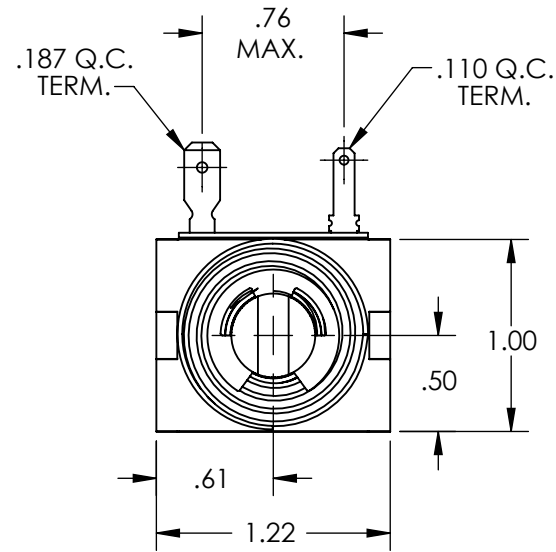
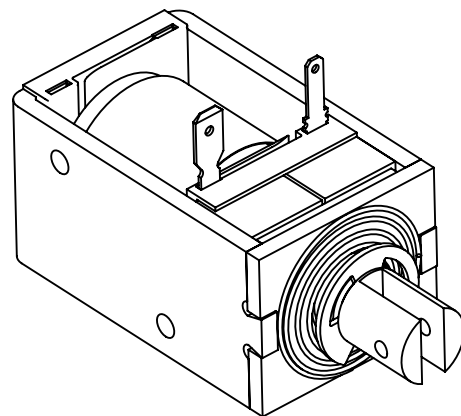
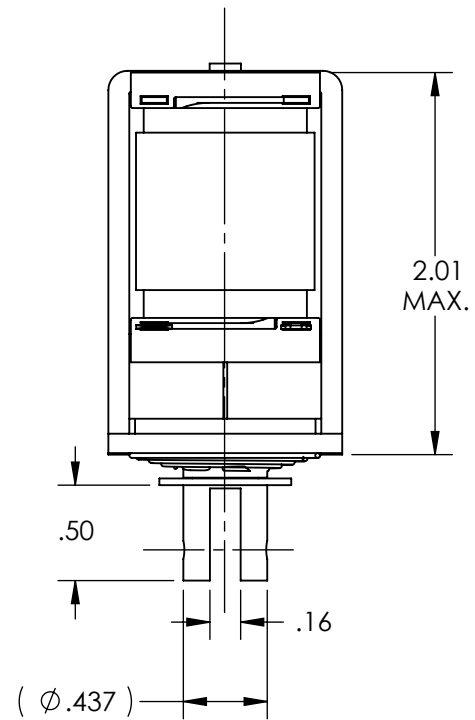
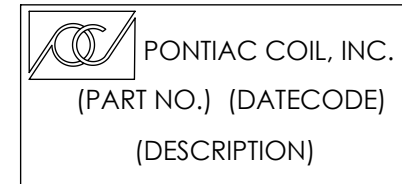


REVISIONS					
REV	BY	ECN	DESCRIPTION	DATE	APPD
A	RCH	12-001	REDRAWN IN SOLIDWORKS	2/7/12	RCH


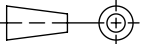


PART NO.	DESCRIPTION	OHMS ± 10% @ 25°C ◊	PULL-IN VOLTS	RELEASE VOLTS
K9302A	M-82PL024D-20-SR	28.8	24.0	8.0-10.0

LABEL INFO:



ACTUAL SIZE

UNLESS OTHERWISE SPECIFIED ALL DIMENSIONS ARE IN INCHES DIMENSIONS IN [] ARE MILLIMETERS	MATL: SEE BOM PRINTS	 PONTIAC COIL INC.		
	FINISH/ PLATING: SEE BOM PRINTS			TITLE CUSTOMER DRAWING M82
TOLERANCES:	NEXT ASSY:	FILE NAME	SIZE	DWG NO.
X [X] ± .1	THIS DOCUMENT IS THE PROPERTY OF PONTIAC COIL INC. AND ALL CONTENTS ARE PROPRIETARY	CD-K9302A.SLDDRW	B	CD-K9302A
.XX [0.X] ± .01		CUSTOMER	CUSTOMER P/N	
.XXX [0.XX] ± .005	 ANSI Y14.5M-1982	DIGI-KEY		
.XXXX [0.XXX] ± .0005		SCALE 1=1	MFCODE	SHEET 1 OF 1
FRACTIONS ± 1/32	FULL FILE NAME: E:\DWG\SPCS\CD-K9302A.SLDDRW			
ANGLES IN DEGREES ± 2°	DO NOT SCALE DRAWING			