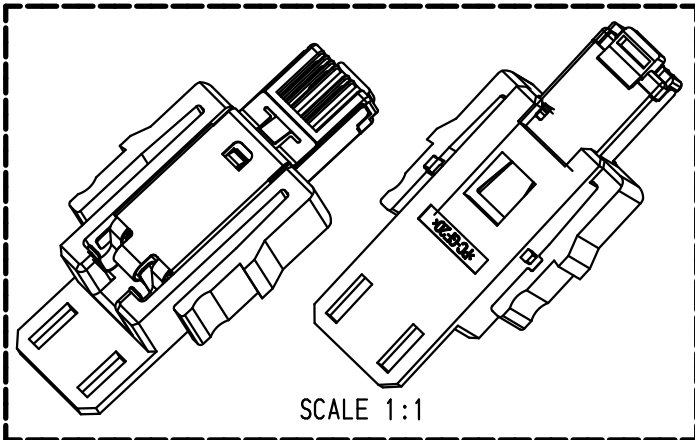
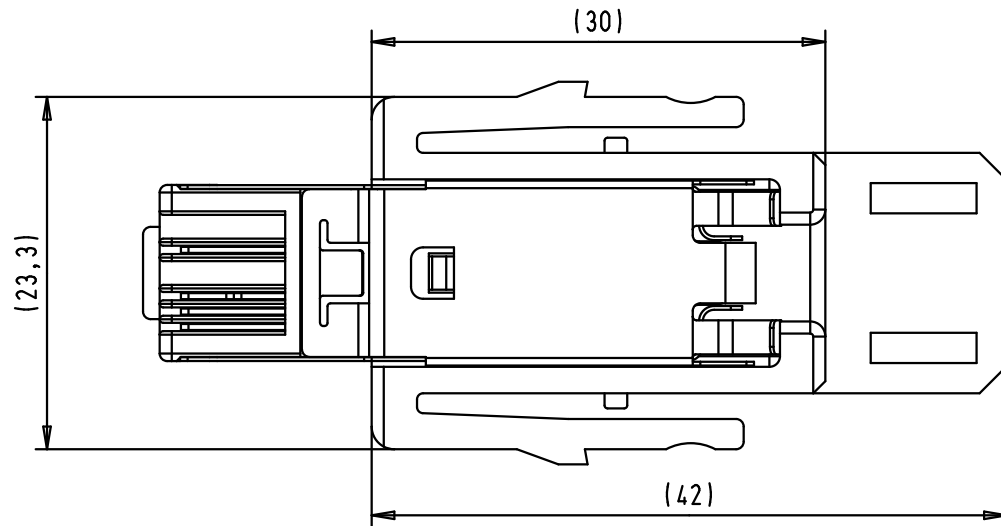




A AND B REFERENCE PLANS ACCORDING TO IEC 606033-7



SCALE 1:1

Data contact plating: Au 1.27µm over nickel

			Mod.	Dat.	Name	 All Dim. in mm Orig. Size DIN A 4	Han-Modular RJ45 plug set Cat.5 - 4 poles TB 09 45 400 110X	Maßstab/ Scale 2:1 Blatt/ Page 1 / 1
			Mod.	Dat.	Name			
			Mod.	Dat.	Name			
09 45 400 1100	Han-Modular RJ45 plug set		36307	08/12/10	AB	HARTING E.U.R.L F-95972 Paris 		
09 45 400 1109	Han-Modular RJ45 plug set AWG 26		Mod.	Dat.	Name			

D
C
B
A

5 4 3 2 1