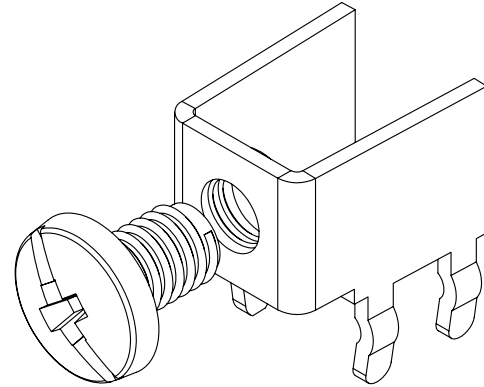
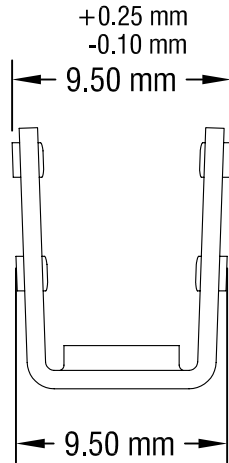
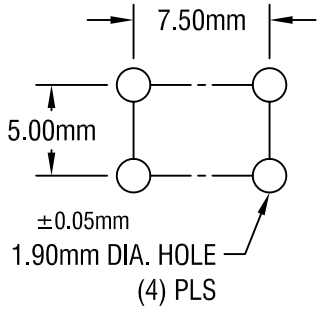
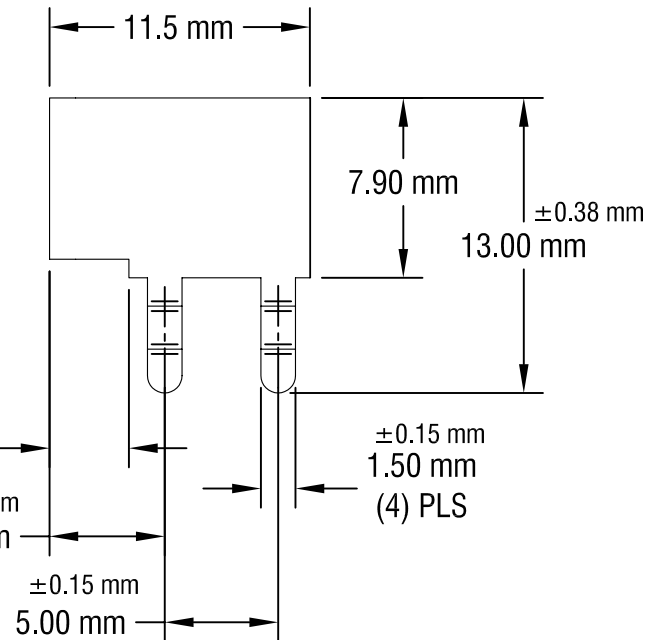
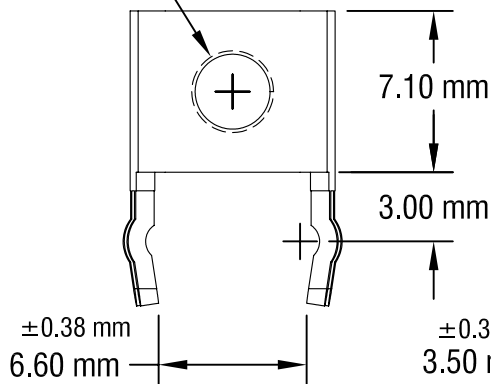


THIS DOCUMENT IS THE PROPERTY OF KEYSTONE ELECTRONICS CORP. AND SHALL NOT BE REPRODUCED, DISTRIBUTED OR USED AS A BASIS FOR MANUFACTURE WITHOUT PRIOR WRITTEN PERMISSION FROM KEYSTONE ELECTRONICS CORP.

MOUNTING DETAIL



M4 x 0.7
THREAD



NOTE:

1. TERMINAL:

MAT'L - 0.81mm TH'K BRASS, TIN PLATE

SCREW : ONE (1) M4 x 0.7 x 6.35mm L.
(SUPPLIED LOOSE)

MAT'L - BRASS, NICKEL PLATE

2. ALL DIMENSIONS ARE IN MILLIMETERS.

KEYSTONE ELECTRONICS CORP.

www.keyelco.com • ASTORIA, N.Y. 11105-2017 • Tel (718) 956-8900

PART NAME		PC METRIC SCREW TERMINAL	
MATERIAL		AS NOTED	
FINISH		DRN BY	DATE
AS NOTED		NT	7.03.08
		APP'D	SCALE
		LN	3X
TOLERANCES	INCH [MM]	CODE	DWG NO.
DECIMAL	± [± 0.25]	C	7793
ANGULAR	± 1°		
UNLESS OTHERWISE SPECIFIED			

11.18.08	CHANGE AS PER ECN 08-181	A
DATE	DESCRIPTION	REV.