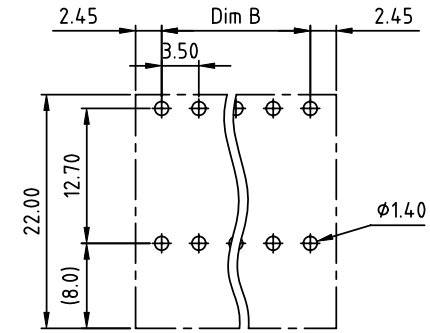
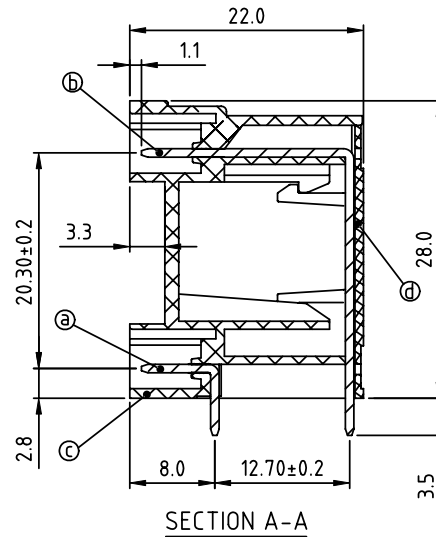
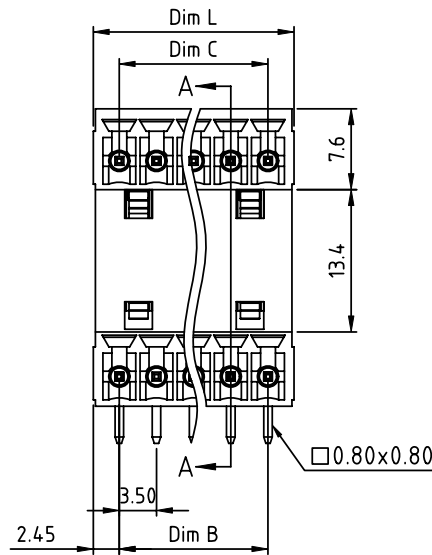


PRODUCT NUMBER	PITCH
VLxx11x100J0G	3.50 mm



RECOMMENDED P.C.B LAYOUT  
TOP VIEW

Material:

- Item ① Short pin: Copper Tin plated
- Item ② Long pin: Copper Tin plated
- Item ③ Terminal(housing): Thermoplastic (UL94V-0)
- Item ④ Terminal(cover): Thermoplastic (UL94V-0)

Electrical:

- cULus
- Voltage rating: 300V
  - Current rating: 10A
  - Withstanding Voltage: 1.6 KV
  - Operating temperature: -40°C to +115°C
  - Soldering temperature: 260°C±5°C/5 Sec
  - Safety Approval:

N=Number of poles

DIM L	N/2×3.5+1.4
DIM B	(N/2-1)×3.5
DIM C	(N/2-1)×3.5

Poles	Tolerance
2x2p-2x4p	±0.15
2x5p-2x8p	±0.20
2x9p-2x13p	±0.25
2x13p-2x17p	±0.30
2x18p-2x24p	±0.35

PART NO.: VL xx 1 1 x 1 00J0 G

		Color	RoHS compliant
Solid block	0	Black (RAL9005)	(lead<4%)
No. of poles	2	Red (RAL3001/D)	In copper Alloy
04 2x2poles	3	Orange(RAL2011/P)	
06 2x3poles	4	Yellow(RAL1018/A)	
... ..	5	Green(RAL6018/T)	
48 2x24poles	6	Blue (RAL5015/A)	
	8	Grey(RAL7035/D)	
	9	White(RAL1102)	
	C	Green(RAL6018/U)	

mat'l. code		surface ASME Y14.5	tolerance ASME Y14.5	projection 	product family TERMINAL BLOCK
ltr	ecn no	dr	date	tolerances unless otherwise specified	title TERMINAL BLOCK
				angles X°±1'	PLUGGABLE SOCKET,RIGHT ANGLE
				scale MM	dwg no VLxx11x100J0G
		dr	EVIN ZHONG	042514	sheet 1 of 1
		enrg	EVIN ZHONG	042514	size A4
		chr	HANKE FENG	042514	
		appd	SHI JUN	042514	type CUSTOMER Drawing
sheet index	revision	A			
	sheet	1			