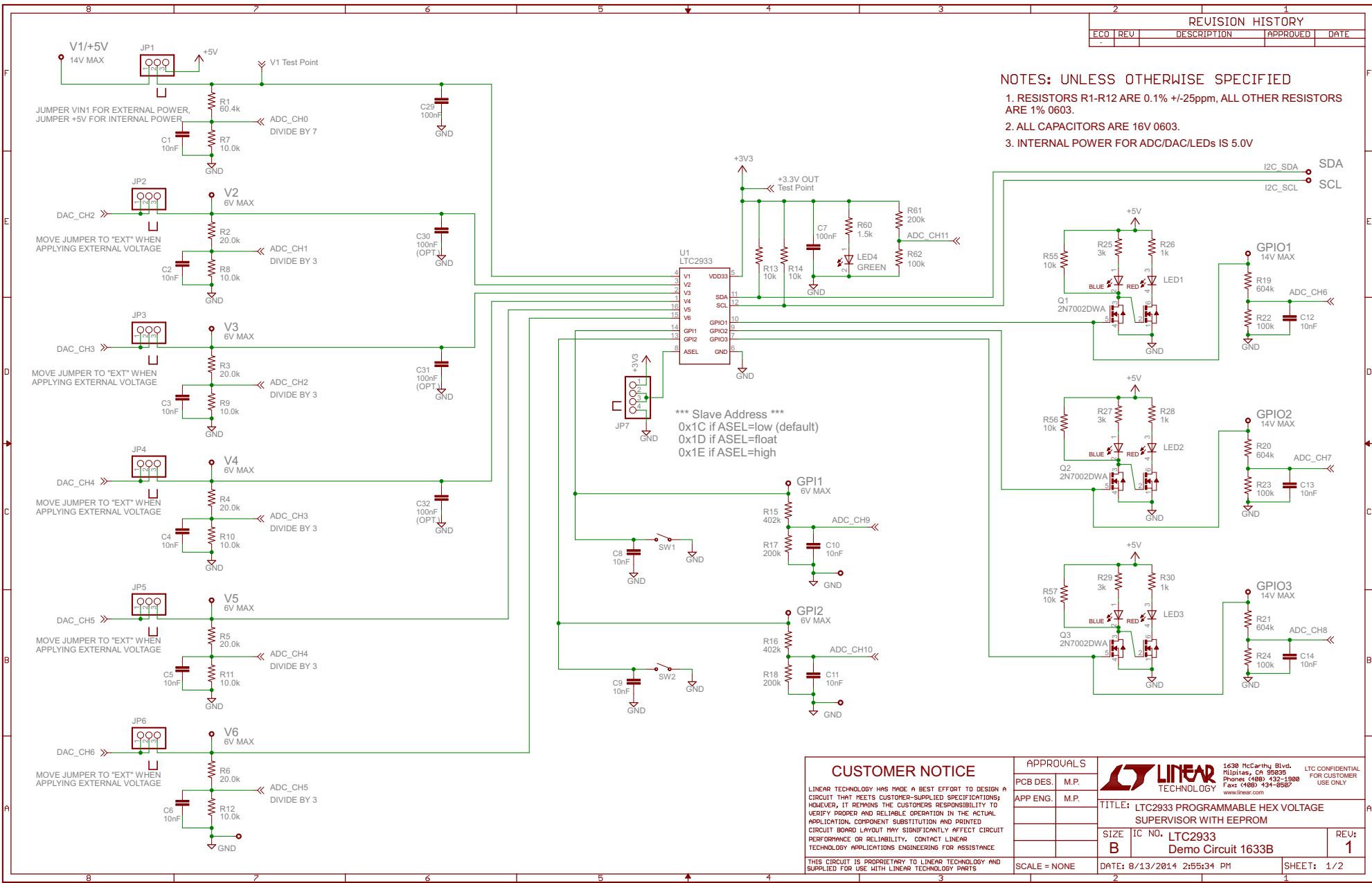


REVISION HISTORY			
ECO	REV	DESCRIPTION	DATE

- NOTES: UNLESS OTHERWISE SPECIFIED
1. RESISTORS R1-R12 ARE 0.1% +/-25ppm, ALL OTHER RESISTORS ARE 1% 0603.
  2. ALL CAPACITORS ARE 16V 0603.
  3. INTERNAL POWER FOR ADC/DAC/LEDs IS 5.0V



**CUSTOMER NOTICE**

LINEAR TECHNOLOGY HAS MADE A BEST EFFORT TO DESIGN A CIRCUIT THAT MEETS CUSTOMER-SUPPLIED SPECIFICATIONS; HOWEVER, IT REMAINS THE CUSTOMER'S RESPONSIBILITY TO VERIFY PROPER AND RELIABLE OPERATION IN THE ACTUAL APPLICATION. COMPONENT SUBSTITUTION AND PRINTED CIRCUIT BOARD LAYOUT MAY SIGNIFICANTLY AFFECT CIRCUIT PERFORMANCE OR RELIABILITY. CONTACT LINEAR TECHNOLOGY APPLICATIONS ENGINEERING FOR ASSISTANCE.

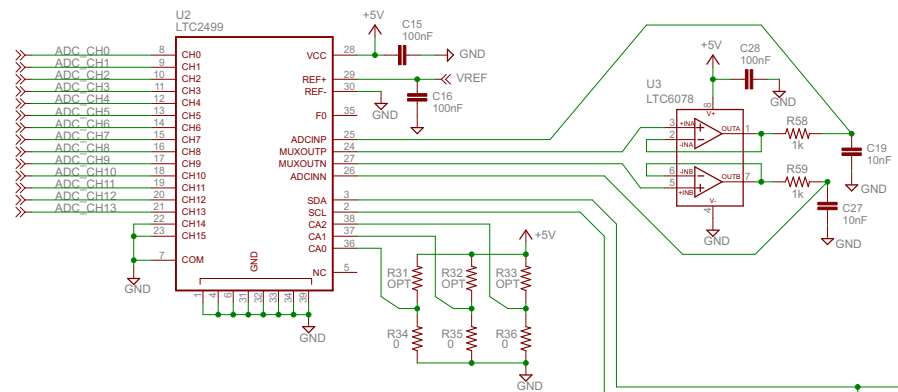
THIS CIRCUIT IS PROPRIETARY TO LINEAR TECHNOLOGY AND SUPPLIED FOR USE WITH LINEAR TECHNOLOGY PARTS

APPROVALS			<small>1630 McCarty Blvd. Milpitas, CA 95035 Phone: (408) 432-1980 Fax: (408) 434-9957 www.linear.com</small>		<small>LTC CONFIDENTIAL FOR CUSTOMER USE ONLY</small>
PCB DES.	M.P.		<b>TITLE: LTC2933 PROGRAMMABLE HEX VOLTAGE SUPERVISOR WITH EEPROM</b>		
APP ENG.	M.P.	<b>SIZE B IC NO. LTC2933</b>			<b>REV: 1</b>
SCALE = NONE		DATE: 8/13/2014 2:55:34 PM		SHEET: 1/2	

REVISION HISTORY			
ECO	REV	DESCRIPTION	DATE
		APPROVED MIKE P.	

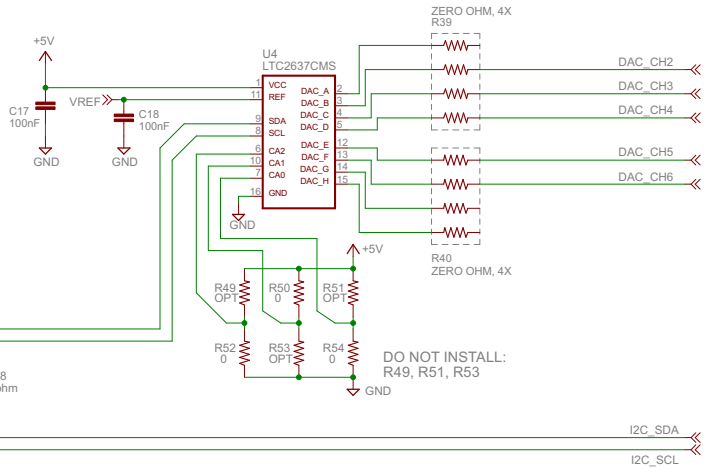
\*\*\* Slave Address 0x14 (default) \*\*\*  
CA2=low, CA1=low, CA0=low

### ADC Section

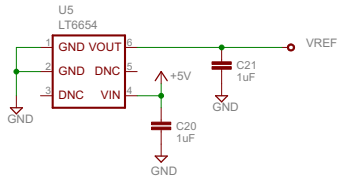


### DAC Section

\*\*\* Slave Address 0x22 (default) \*\*\*  
CA2=low, CA1=high, CA0=low



4.096V Ref

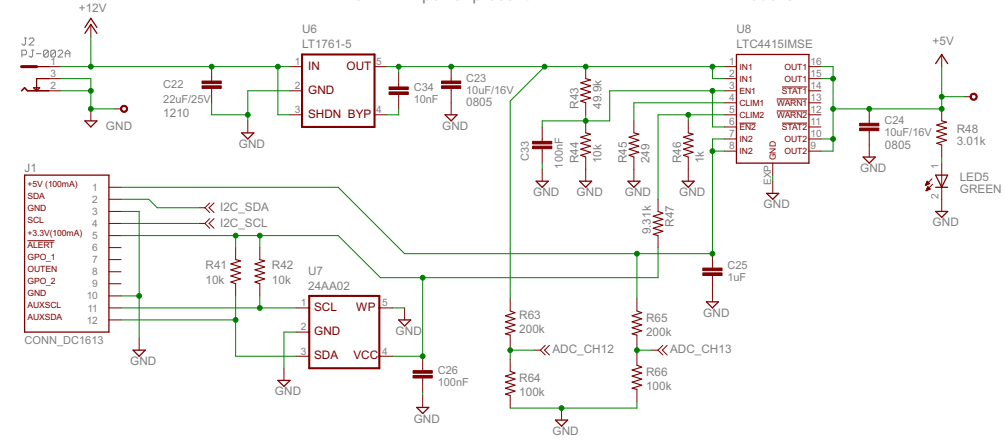


DO NOT INSTALL:  
R31, R32, R33

DO NOT INSTALL:  
R49, R51, R53

5V LDO to power board  
when +12V power present

### Diode-OR



NOTES: UNLESS OTHERWISE SPECIFIED:

1. ALL RESISTORS ARE 1% 0603.
2. ALL CAPACITORS ARE 16V 0603.
3. INTERNAL POWER FOR ADC/DAC/LEDs IS 5.0V

CUSTOMER NOTICE		APPROVALS			1630 McCarthy Blvd. Milpitas, CA 95035 Phone (408) 432-1980 Fax (408) 434-9957 www.linear.com	LTC CONFIDENTIAL FOR CUSTOMER USE ONLY
LINEAR TECHNOLOGY HAS MADE A BEST EFFORT TO DESIGN A CIRCUIT THAT MEETS CUSTOMER-SUPPLIED SPECIFICATIONS; HOWEVER, IT REMAINS THE CUSTOMER'S RESPONSIBILITY TO VERIFY PROPER AND RELIABLE OPERATION IN THE ACTUAL APPLICATION. COMPONENT SUBSTITUTION AND PRINTED CIRCUIT BOARD LAYOUT MAY SIGNIFICANTLY AFFECT CIRCUIT PERFORMANCE OR RELIABILITY. CONTACT LINEAR TECHNOLOGY APPLICATIONS ENGINEERING FOR ASSISTANCE.		PCB DES.	M.P.			
THIS CIRCUIT IS PROPRIETARY TO LINEAR TECHNOLOGY AND SUPPLIED FOR USE WITH LINEAR TECHNOLOGY PARTS		APP ENG.	M.P.	SIZE	IC NO.	REV:
				B	LTC2933	1
		SCALE = NONE	DATE: 8/13/2014 2:55:34 PM	Demo Circuit 1633B		SHEET: 2/2