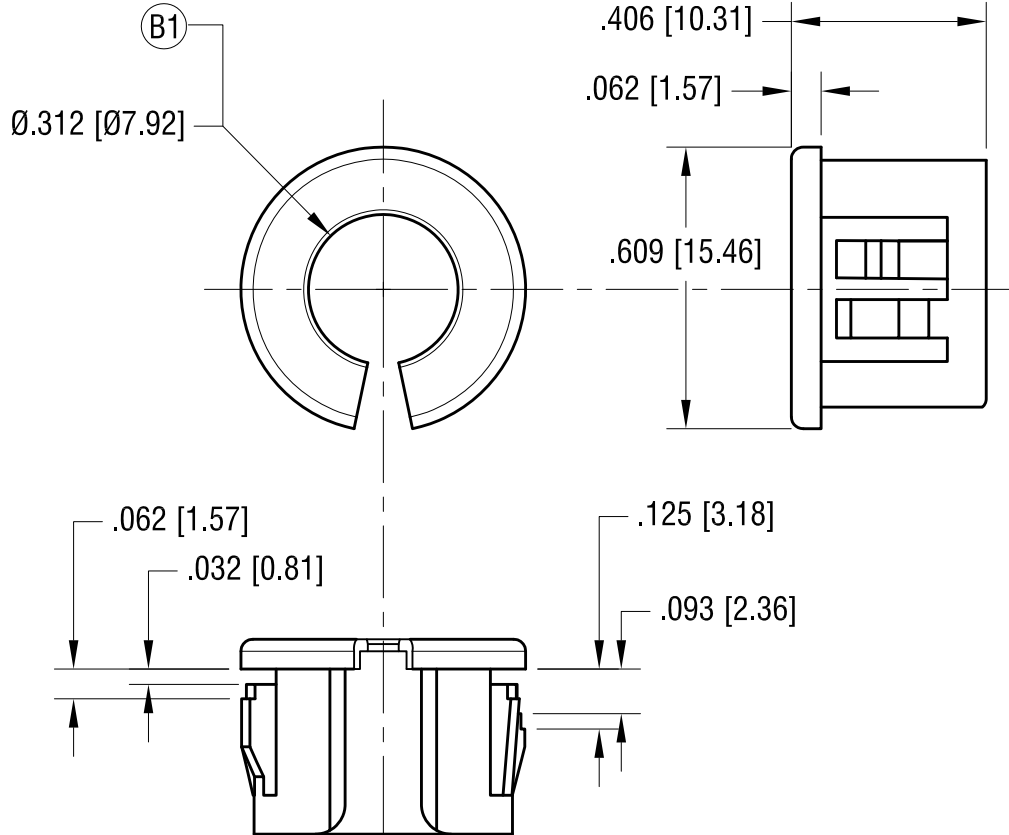
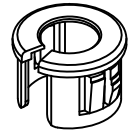


THIS DOCUMENT IS THE PROPERTY OF KEYSTONE ELECTRONICS CORP. AND SHALL NOT BE REPRODUCED, DISTRIBUTED OR USED AS A BASIS FOR MANUFACTURE WITHOUT PRIOR WRITTEN PERMISSION FROM KEYSTONE ELECTRONICS CORP.

**ACTUAL SIZE**



**NOTE:**  
1. DESIGN FOR MOUNTING HOLE  $.500$  [ $12.70$ ]DIA.

**KEYSTONE ELECTRONICS CORP.**

www.keyelco.com • ASTORIA, N.Y. 11105-2017 • Tel (718) 956-8900

PART NAME		NYLON SPLIT BUSHING	
MATERIAL		NYLON 6/6, BLACK UL 94V-2	
FINISH	-	DRN BY	BOONE
		DATE	1.18.07
		APP'D	LN
		SCALE	2.5X
TOLERANCES	INCH [MM]	CODE	DWG NO.
DECIMAL	$\pm .015$ [ $\pm 0.38$ ]	C	8491
ANGULAR	$\pm 1^\circ$		
UNLESS OTHERWISE SPECIFIED			

12.24.14	(B1) WAS $.375 \pm .015$ CHANGE AS PER ECN 14-127	B
11.01.11	CHANGE AS PER ECN 11-141	A
DATE	DESCRIPTION	REV.