

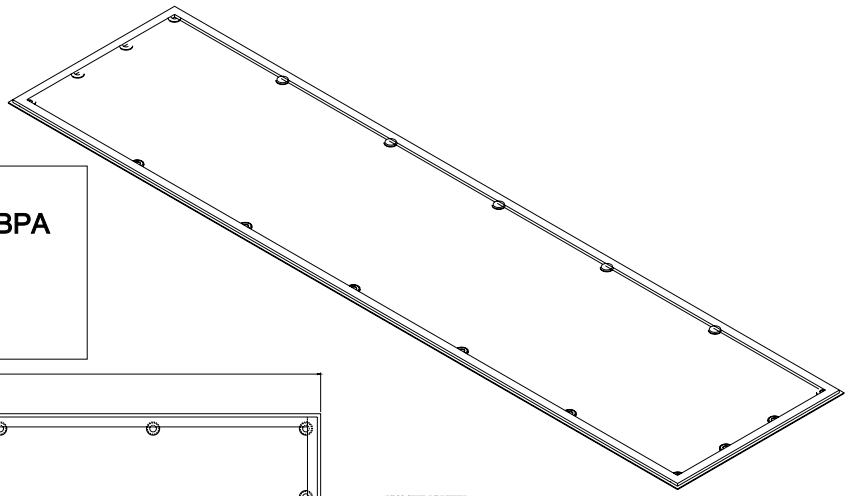


**PART No. UHDM7218BPA**

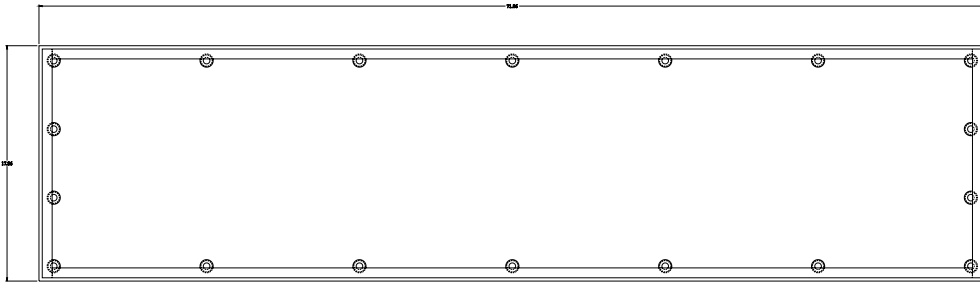
for more information visit  
[www.hammfg.com](http://www.hammfg.com)

Data subject to change without notice

Isometric drawing Not to Scale



ISOMETRIC VIEW



FRONT VIEW



SIDE VIEW