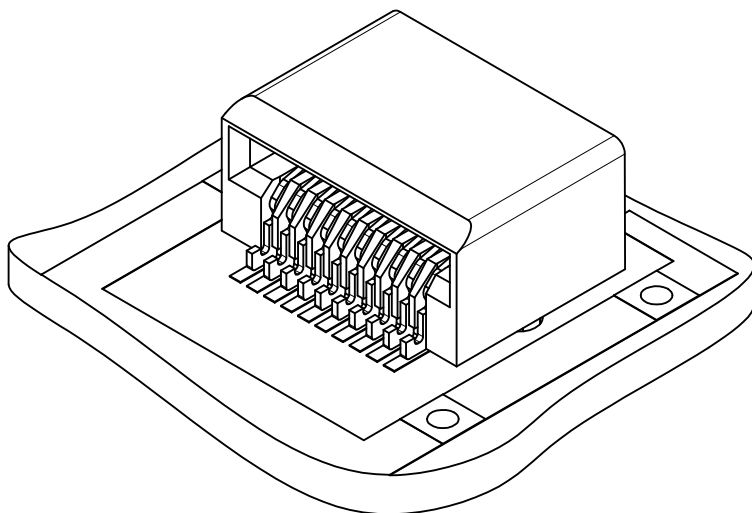


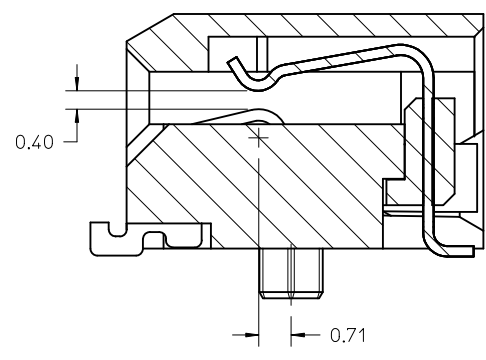
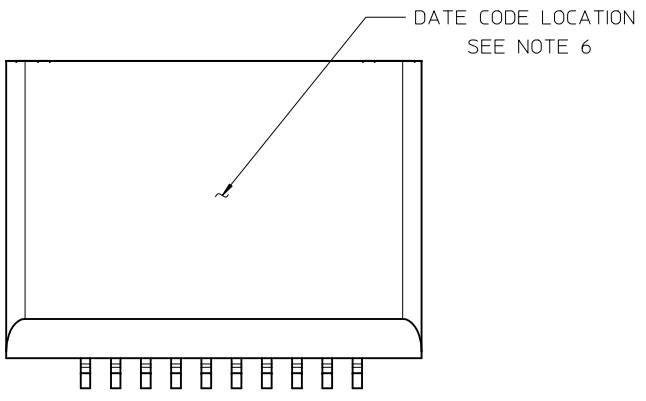
| CKT SIZE | PART NUMBER | DESCRIPTION       |
|----------|-------------|-------------------|
| 20       | 170382-0001 | PLATED PER NOTE 2 |
|          | 170382-0002 | PLATED PER NOTE 3 |
|          | 170382-0003 | PLATED PER NOTE 4 |



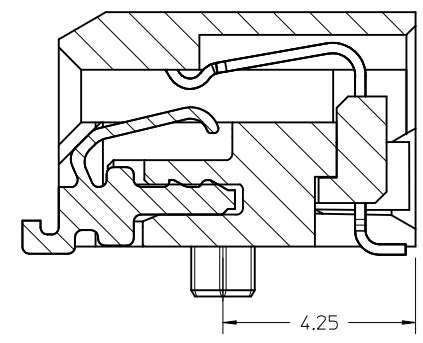
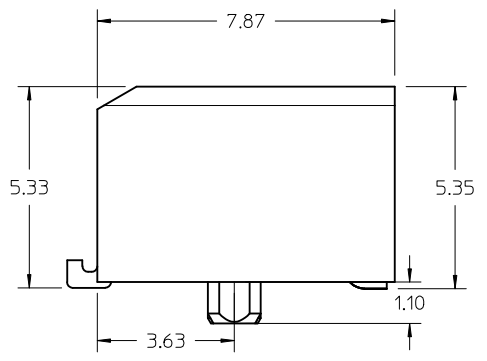
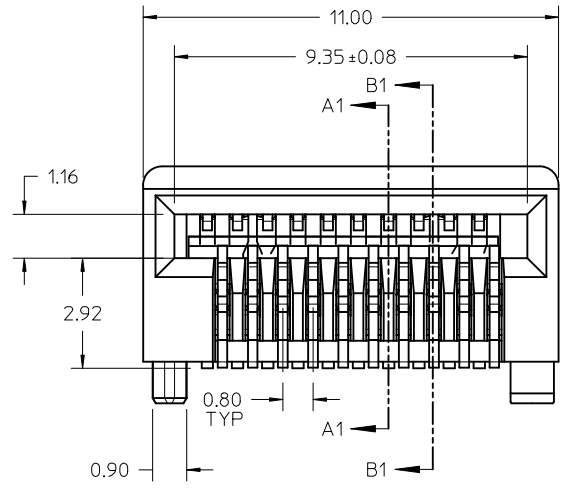
NOTES

- MATERIAL:  
HOUSING - HIGH TEMPERATURE THERMOPLASTIC GLASS FILLED, UL 94V-0, BLACK  
TERMINALS - COPPER ALLOY
- PLATING:  
CONTACT AREA - 0.38  $\mu\text{m}$  MIN GOLD OVER 2.54  $\mu\text{m}$  MIN NICKEL  
SOLDER FOOT AREA - 2.54 - 5.09  $\mu\text{m}$  TIN OVER 2.54  $\mu\text{m}$  MIN NICKEL.
- PLATING:  
CONTACT AREA - 0.76  $\mu\text{m}$  MIN GOLD OVER 2.54  $\mu\text{m}$  NICKEL  
SOLDER AREA - 2.54 - 5.09  $\mu\text{m}$  TIN OVER 2.54  $\mu\text{m}$  MIN NICKEL
- PLATING:  
CONTACT AREA - 0.76  $\mu\text{m}$  MIN GOLD OVER 2.54  $\mu\text{m}$  NICKEL;  
SOLDER AREA: GOLD FLASH OVER 2.54  $\mu\text{m}$  MIN NICKEL.
- TERMINAL SOLDER FEET TO BE COPLANAR WITHIN 0.10
- DATE CODE: 4 DIGIT (3 DIGIT DATE, 1 DIGIT YEAR)

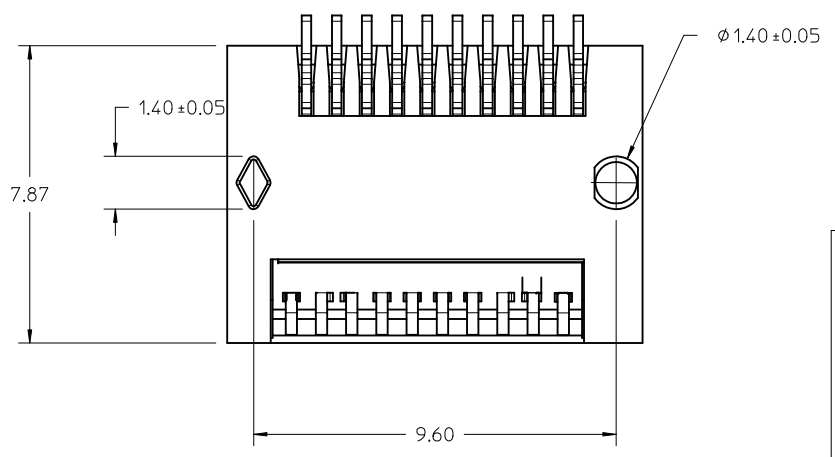
|  |  |                 |  |                                       |                               |                                      |                           |                            |  |                        |  |
|--|--|-----------------|--|---------------------------------------|-------------------------------|--------------------------------------|---------------------------|----------------------------|--|------------------------|--|
| RELEASED<br>EC NO: UCP2012-2043<br>DRWN: JANTELEZIO 2011/12/28<br>CHKD:<br>APPR: MBANAKIS 2012/01/13 | DESCRIPTION<br>ZSFP+ ASSEMBLY<br>20CKT SMT | QUALITY SYMBOLS |  | GENERAL TOLERANCES (UNLESS SPECIFIED) |                               | DIMENSION STYLE<br><b>MM ONLY</b>    |                           | SCALE<br><b>8:1</b>        | DESIGN UNITS<br><b>METRIC</b>                | THIRD ANGLE PROJECTION |  |
|  |  | $\nabla = 0$    | $\nabla = 0$   | $\nabla = 0$                          | mm                            | INCH                                 | DRAWN BY<br>JGONZALEZ01   | DATE<br>2010/05/05         | TITLE<br><b>ZSFP+ ASSEMBLY<br/>20CKT SMT</b> |                        |  |
|  |  | $\nabla = 0$    | $\nabla = 0$   | $\nabla = 0$                          | 4 PLACES $\pm$ --- $\pm$ ---  | 3 PLACES $\pm$ --- $\pm$ ---         | CHECKED BY<br>JJANTELEZIO | DATE<br>2010/06/23         |  |                        |  |
|  |  | $\nabla = 0$    | $\nabla = 0$   | $\nabla = 0$                          | 2 PLACES $\pm$ 0.13 $\pm$ --- | 1 PLACE $\pm$ 0.25 $\pm$ ---         | APPROVED BY<br>MBANAKIS   | DATE<br>2010/07/15         | MATERIAL NO.<br><b>SEE CHART</b>             |                        |  |
| ANGULAR $\pm 1/2^\circ$  |  |                 | DRAFT WHERE APPLICABLE<br>MUST REMAIN<br>WITHIN DIMENSIONS |                                       |                               | DOCUMENT NO.<br><b>SD-170382-001</b> |                           | SHEET NO.<br><b>1 OF 3</b> |  |                        |  |



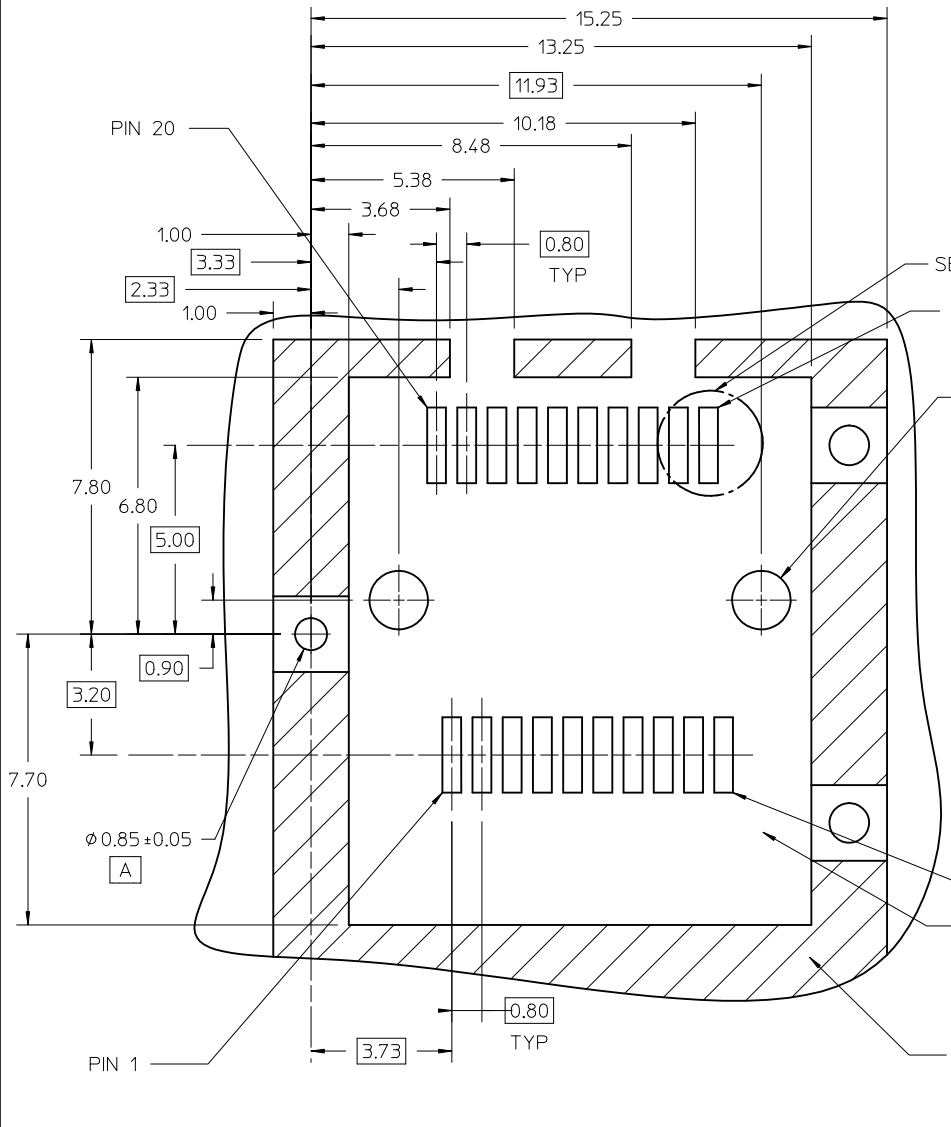
SECTION A1-A1  
SCALE 12:1



SECTION B1-B1  
SCALE 12:1



|   |   |                                       |         |  |                               |                                      |                        |                        |  |  |  |
|---|---|---------------------------------------|---------|--|-------------------------------|--------------------------------------|------------------------|------------------------|--|--|--|
| SEE SHEET 1<br>EC NO: UCP2012-2043<br>DRWN: JANTELEZIO 2011/12/28<br>CHKD:<br>APPR: MBANAKIS 2012/01/13 | DESCRIPTION<br>QUALITY SYMBOLS<br>∇=0<br>∇=0<br>∇=0 | GENERAL TOLERANCES (UNLESS SPECIFIED) |         | DIMENSION STYLE<br><b>MM ONLY</b>  |                               | SCALE<br>5:1                         | DESIGN UNITS<br>METRIC | THIRD ANGLE PROJECTION |  |  |  |
|   |   | 4 PLACES ± --- ± ---                  | mm INCH | DRAWN BY<br>JGONZALEZ01  | DATE<br>2010/05/05            | TITLE<br>ZSFP+ ASSEMBLY<br>20CKT SMT |                        |                        |  |  |  |
|   |   | 3 PLACES ± --- ± ---                  |         | CHECKED BY<br>JJANTELEZIO  | DATE<br>2010/06/23            | MOLEX INCORPORATED                   |                        |                        |  |  |  |
|   |   | 2 PLACES ± 0.13 ± ---                 |         | APPROVED BY<br>MBANAKIS  | DATE<br>2010/07/15            |                                      |                        |                        |  |  |  |
| 1 PLACE ± 0.25 ± ---  |   | ANGULAR ± 1/2°                        |         | MATERIAL NO.<br>SEE SHEET 1  | DOCUMENT NO.<br>SD-170382-001 | SHEET NO.<br>2 OF 3                  |                        |                        |  |  |  |
| DRAFT WHERE APPLICABLE<br>MUST REMAIN<br>WITHIN DIMENSIONS  |   | SIZE<br>C                             |         | THIS DRAWING CONTAINS INFORMATION THAT IS PROPRIETARY TO MOLEX<br>INCORPORATED AND SHOULD NOT BE USED WITHOUT WRITTEN PERMISSION |                               |                                      |                        |                        |  |  |  |



SEE DETAIL A

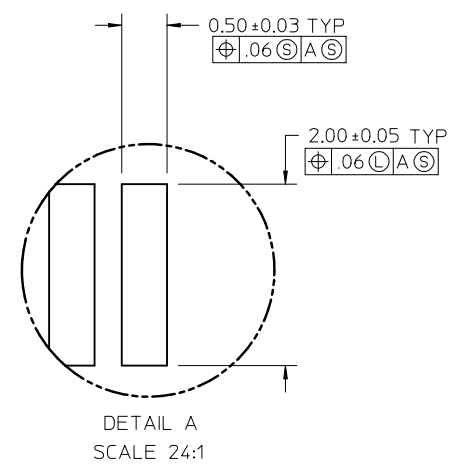
PIN 11

Ø 1.55 ± 0.05 2PLCS  
 ⊕ Ø 0.1 (L) A ⊕

PIN 10

THIS AREA DENOTES  
 COMPONENT KEEP-OUT  
 (TRACES ALLOWED)

CROSS HATCHED AREA DENOTES  
 COMPONENT AND TRACE KEEP-OUT  
 (EXCEPT CHASIS GROUND)



DETAIL A  
 SCALE 24:1

|   |                                      |   |  |                            |                    |                                      |                        |                        |               |           |  |
|---|--------------------------------------|---|--|----------------------------|--------------------|--------------------------------------|------------------------|------------------------|---------------|-----------|--|
| SEE SHEET 1<br>EC NO: UCP2012-2043<br>DRWN: JANTELEZ10 2011/12/28<br>CHKD:<br>APPR: MBANAKIS 2012/01/13 | QUALITY SYMBOLS<br>▽=0<br>▽=0<br>▽=0 | GENERAL TOLERANCES (UNLESS SPECIFIED)   |  | DIMENSION STYLE<br>MM ONLY |                    | SCALE<br>10:1                        | DESIGN UNITS<br>METRIC | THIRD ANGLE PROJECTION |               |           |  |
|   |                                      |   |  | DRAWN BY<br>JGONZALEZ01    | DATE<br>2010/05/05 | TITLE<br>ZSFP+ ASSEMBLY<br>20CKT SMT |                        |                        |               |           |  |
|   |                                      |   |  | CHECKED BY<br>JJANTELEZ10  | DATE<br>2010/06/23 | APPROVED BY<br>MBANAKIS 2010/07/15   |                        |                        |               |           |  |
|   |                                      |   |  | ANGULAR ±1/2°              |                    | MATERIAL NO.                         |                        | DOCUMENT NO.           |               | SHEET NO. |  |
|   |                                      | DRAFT WHERE APPLICABLE<br>MUST REMAIN<br>WITHIN DIMENSIONS  |  |                            | SEE SHEET 1        |                                      | MOLEX INCORPORATED     |                        | SD-170382-001 |           |  |
|   |                                      | THIS DRAWING CONTAINS INFORMATION THAT IS PROPRIETARY TO MOLEX INCORPORATED AND SHOULD NOT BE USED WITHOUT WRITTEN PERMISSION |  |                            |                    |                                      |                        |                        |               | 3 OF 3    |  |