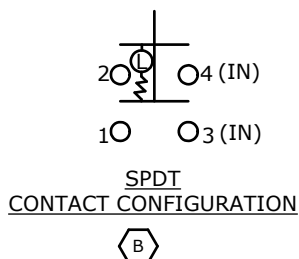


| SWITCH FUNCTION |          |
|-----------------|----------|
| POS. 1          | POS. 2   |
|                 |          |
| OFF             | (ON)     |
| OPEN            | 1-3, 2-4 |

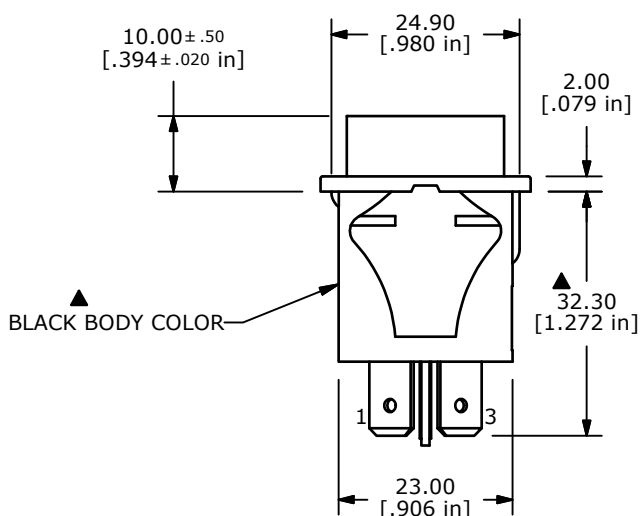
▲ (ON) = MOMENTARY



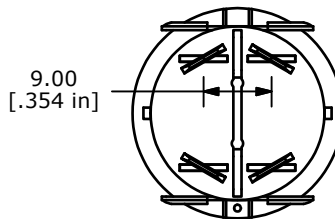
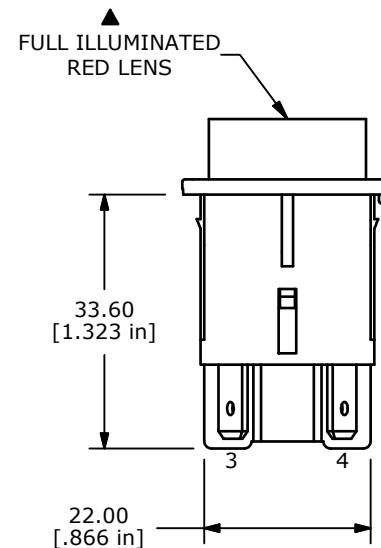
SPDT CONTACT CONFIGURATION

NOTE:

1. ALL DIMENSIONS IN MM [INCH]
2. GENERAL TOLERANCE: X.X = 0.4  
X.XX = 0.25
3. TERMINAL NO'S FOR REFERENCE ONLY.
- ▲ 4. CONTACT RATINGS:  
ANSI/UL 1054 AND CAN/CSA C22.2 NO.55(E194579)  
16A 125VAC [UR,cUR]  
1/2HP 125VAC, 3/4HP250VAC [UR,cUR]  
EN 61058-1: 2002:  
16(6)A 250V~ 1E4 T125/55 [ENEC14, SEMKO]  
10(4)A 250V~ 5E4 T125/55 [ENEC14, SEMKO]
5. CONTACT RESISTANCE: 35mΩ MAX. INITIAL @ 50VAC
6. INSULATION RESISTANCE: 100MΩ @ 500VDC
7. DIELECTRIC STRENGTH: 1500VAC FOR 1 MINUTE
8. ELERTICAL LIFE: 6,000 CYCLES [UR,cUR]  
10,000 CYCLES [VDE]  
50,000 CYCLES [VDE]
9. OPERATING TEMP: -20°C TO 105°C [UR,cUR]  
-20°C TO 125°C [VDE]
10. ▲ DENOTE CRITICAL PARAMETER
11. 2002/95/EC (ROHS) COMPLIANT
- ▲ 12. ILLUMINATION VOLTAGE: 12V



▲ BLACK BODY COLOR



|     |        |                               |          |     |
|-----|--------|-------------------------------|----------|-----|
| B   | 20297  | CORRECT CONTACT CONFIGURATION | 11/18/11 | BGL |
| A   | 20209  | RELEASE TO PRODUCTION         | 10/13/11 | BGL |
| REV | PCR NO | DESCRIPTION                   | DATE     | BY  |

|                      |           |     |                  |     |
|----------------------|-----------|-----|------------------|-----|
| TITLE PR14EC1000-114 |           |     |                  |     |
| SCALE                | DATE      | DR  | DWG              | REV |
| 1:1                  | 9/29/2011 | BGL | 38-PR14EC1000114 | B   |

THE INFORMATION CONTAINED IN THIS DOCUMENT IS PROPRIETARY TO E-SWITCH AND IS NOT TO BE COPIED OR TRANSFERRED