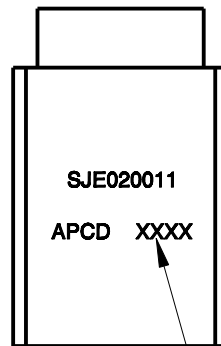
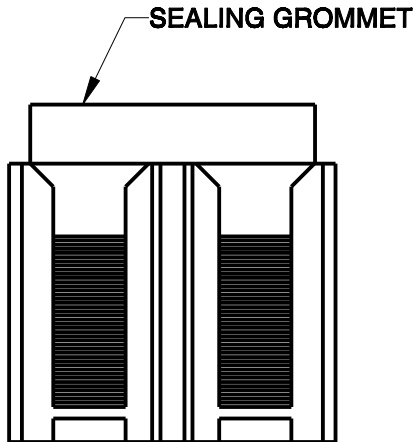
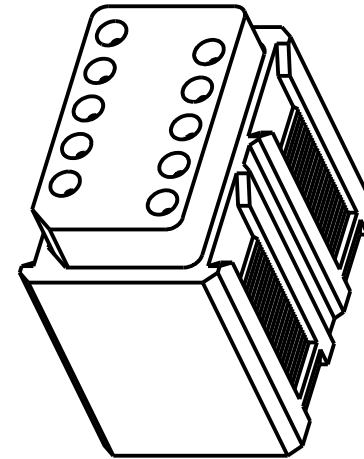
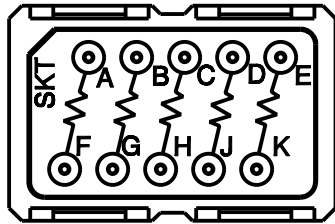


REV	ECN	APP'D
-	6011	



DATE CODE

**NOTES:**

- 1. MATERIALS:**  
 BODY: POLYETHERIMIDE PER MIL-P-46184.  
 GROMMET: SILICONE BLEND ELASTOMER.  
 RESISTOR: 10K $\Omega$ , 1/10 WATT. PER MIL-PRF-55182  
 INTERNAL PIN CONTACT:  
 COPPER ALLOY, HARD GOLD PLATE PER MIL-G-45204.
- 2. PERFORMANCE SPECIFICATION PER MIL-T-81714.**  
 (SUBJECT TO LIMITATIONS OF THE ELECTRONIC COMPONENTS)  
 TEMPERATURE: -65° C TO 200° C.  
 INSULATION RESISTANCE: 5000 MEGOHMS MIN AT 25° C.  
 DIELECTRIC WITHSTANDING VOLTAGE:  
 1500 VRMS AT SEA LEVEL,  
 AND 200 VRMS AT 100,000 FT. ALTITUDE.  
 CURRENT RATING: 7.5A FOR SIZE 20 CONTACTS.  
 VIBRATION AND SHOCK: PER MIL-T-81714 PARA 3.5.8 & 9.
- 3. MODULE ACCEPTS SOCKET CONTACTS (6) M39029/22-192.**
- 4. MODULE TO BE MOUNTED ON M81714/67 RAIL SYSTEM.**

<b>DIMENSIONS</b> ANSI Y14.5M UNITS: INCHES Pro/E FILE	<b>TOLERANCES</b> .XX ±0.01 .XXX ±0.005 ANGLES ±1.0°	<b>PROJECTION</b> 	<b>Amphenol Pcd</b>			<i>TITLE</i> <b>SJE SERIES          ELECTRONIC MODULE</b>		
			<i>ENGR</i> E. RABINOWITZ 02/01/07					
<b>ORIGINAL</b>	THIS DOCUMENT CONTAINS PROPRIETARY INFORMATION WHICH IS THE CONFIDENTIAL PROPERTY OF AMPHENOL PCD PEABODY, MA, USA	<i>CHKD</i>			<i>SIZE</i> <b>A</b>	<i>DWG NO.</i> <b>SJE020011</b>		<i>REV</i> -
		<i>APPD</i>			CODE: 58982	SCALE: NONE	SHEET 1 OF 1	