

## UWX

5.5mmL Chip Type

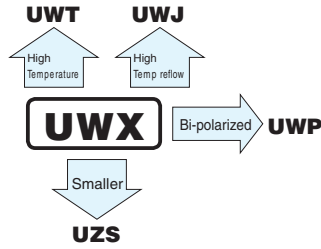


For SMD



Anti-Solvent Feature

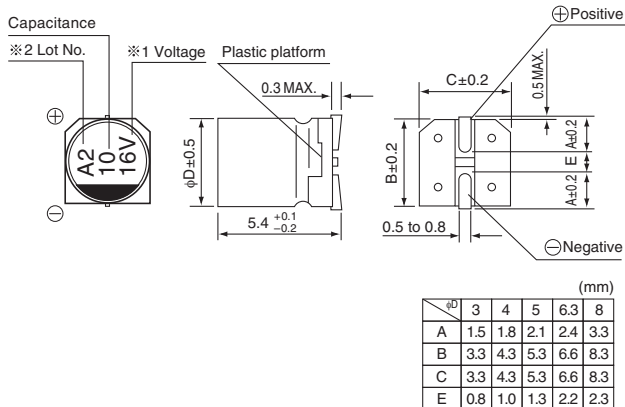
- Chip type with 5.5mm height.
- Designed for surface mounting on high density PC board.
- Applicable to automatic mounting machine fed with carrier tape.
- Load life of 2000 hours at 85°C.
- Compliant to the RoHS directive (2011/65/EU).



### Specifications

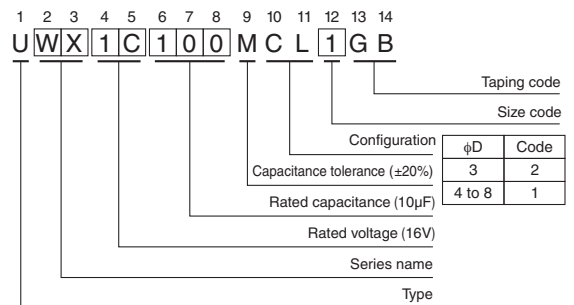
Item	Performance Characteristics							
Category Temperature Range	-40 to +85°C							
Rated Voltage Range	4 to 50V							
Rated Capacitance Range	1 to 330μF							
Capacitance Tolerance	±20% at 120Hz, 20°C							
Leakage Current	After 2 minutes' application of rated voltage, leakage current is not more than 0.01CV or 3 (μA), whichever is greater.							
Tangent of loss angle (tan δ)	Measurement frequency : 120Hz at 20°C							
	Rated voltage (V)	4	6.3	10	16	25	35	50
tan δ (MAX.)	0.35 (0.40)	0.26 (0.30)	0.20 (0.24)	0.16 (0.19)	0.14 (0.16)	0.12 (0.14)	0.12 (0.14)	
Stability at Low Temperature	Measurement frequency : 120Hz							
	Rated voltage (V)	4	6.3	10	16	25	35	50
Impedance ratio	Z-25°C / Z+20°C	7	4	3	2	2	2	2
	ZT / Z20 (MAX.)	Z-40°C / Z+20°C	15	8	8	4	4	3
Endurance	The specifications listed at right shall be met when the capacitors are restored to 20°C after the rated voltage is applied for 2000 hours at 85°C.		Capacitance change	Within ±20% of the initial capacitance value (Within ±25% for 4V and φ3,WR series units)				
			tan δ	200% or less than the initial specified value				
			Leakage Current	Less than or equal to the initial specified value				
Shelf Life	After storing the capacitors under no load at 85°C for 1000 hours and then performing voltage treatment based on JIS C 5101-4 clause 4.1 at 20°C, they shall meet the specified values for the endurance characteristics listed above.							
Resistance to soldering heat	The capacitors are kept on a hot plate for 30 seconds, which is maintained at 250°C. The capacitors shall meet the characteristic requirements listed at right when they are removed from the plate and restored to 20°C.		Capacitance change	Within ±10% of the initial capacitance value				
			tan δ	Less than or equal to the initial specified value				
			Leakage current	Less than or equal to the initial specified value				
Marking	Black print on the case top.							

### Chip Type



- ※1. Voltage mark for 6.3V is 「6V」.
- In case of marking for φ3 units, "V" for rated voltage is omitted.
- ※2. In case of marking for φ3 units, Lot No. is expressed by a digit (month code).

### Type numbering system (Example : 16V 10μF)



- In the case of size φ3 in ( ), parentheses, use WX in the 2nd and 3rd digit and put a in the 12th digit of type numbering system.

## UWX

### ■ Dimensions

Cap. (μF)	Code	V		4		6.3		10		16		25		35		50		
		0G	0J	1A	1C	1E	1V	1H										
1	010																4 (3)	8.4(8.0)
2.2	2R2														3	8.4	4 (3)	13 (10)
3.3	3R3														3	10	4	17
4.7	4R7																• 5	20 (18)
10	100									4 (3)	23 (18)	• 5	27 (24)	• 5	29 (24)	○ 6.3	33 (30)	
22	220	3	19	4 (3)	28 (21)	• 5	33 (30)	• 5	37 (30)	○ 6.3	42 (38)	○ 6.3	46 (39)	□ 8	52 (43)			
33	330	4	28	• 5	37 (34)	• 5	41 (34)	○ 6.3	49 (44)	○ 6.3	52 (46)	□ 8	62 (53)	8	71			
47	470	4	33	• 5	45 (40)	○ 6.3	52 (47)	○ 6.3	58 (52)	□ 8	70 (60)	8	80					
56	560	5	42	○ 6.3	52 (46)	○ 6.3	57 (50)	○ 6.3	63 (57)	□ 8	76 (65)							
100	101	5	56	○ 6.3	70 (47)	○ 6.3	76 (54)	6.3	86	8	110							
150	151	6.3	79	6.3	71	□ 8	111 (76)											
220	221	6.3	96	□ 8	110 (74)	8	135											
330	331	8	145	8	170												Case size φ D (mm)	Rated ripple

( ) is also available with φ3mm upon request.

Rated ripple current (mArms) at 85°C 120Hz

• In the case of size φ3 in ( ), parentheses, use WX at 2nd and 3rd digit and put [2] at the 12th digit of type numbering system. ( ) = φ3 units and UWR

Size φ4 is available for capacitors marked. " • •"  
 Size φ5 is available for capacitors marked. " ○ ○"  
 Size φ6.3 is available for capacitors marked. " □ □" } In such a case, [WR] will be put at 2nd and 3rd digit of type numbering system.

### ● Frequency coefficient of rated ripple current

Frequency	50 Hz	120 Hz	300 Hz	1 kHz	10 kHz or more
Coefficient	0.70	1.00	1.17	1.36	1.50

- Taping specifications are given in page 23.
- Recommended land size, soldering by reflow are given in page 18, 19.
- Please select UUR(p.150), UUG(p.156) if high C/V products are required.
- Please refer to page 3 for the minimum order quantity.