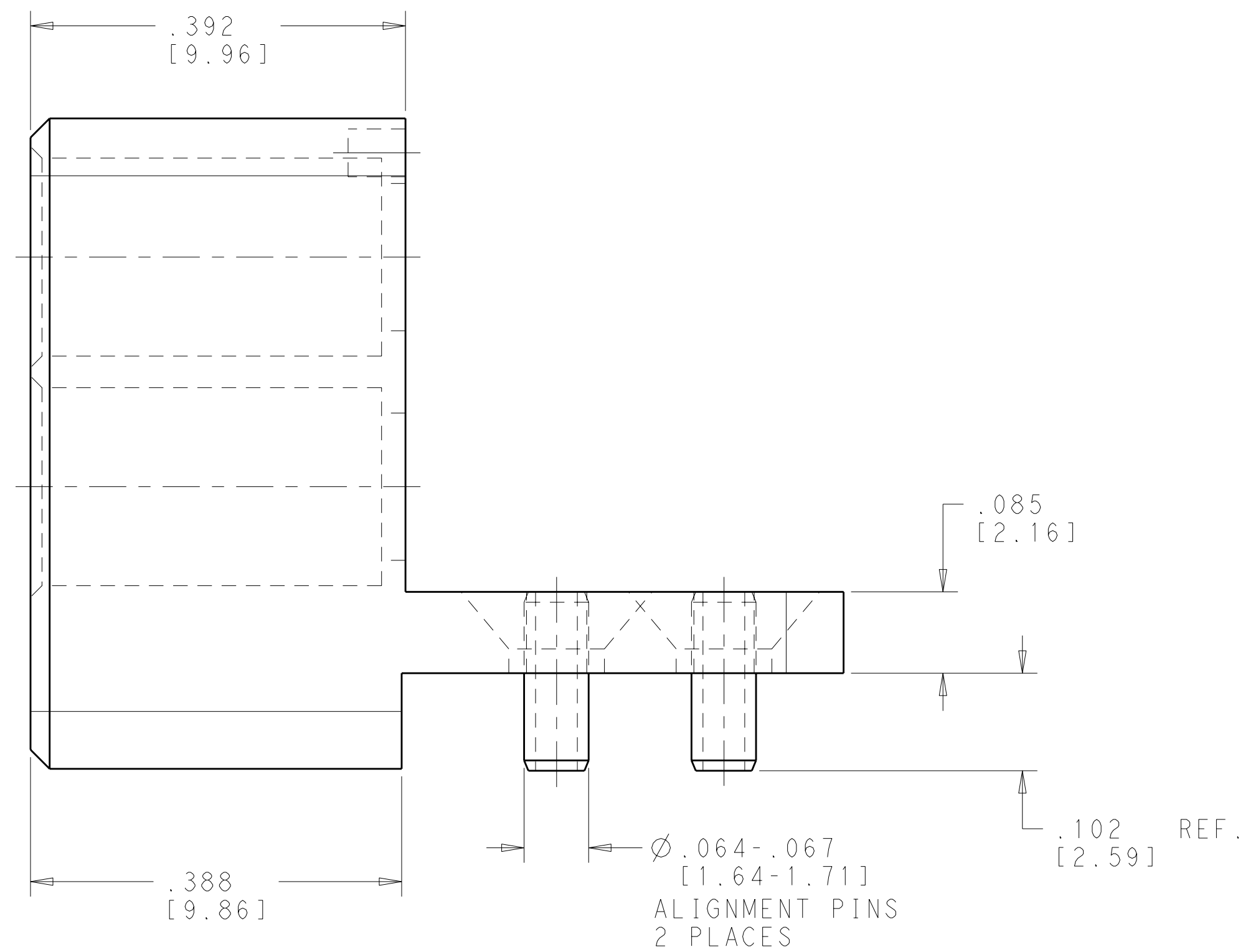
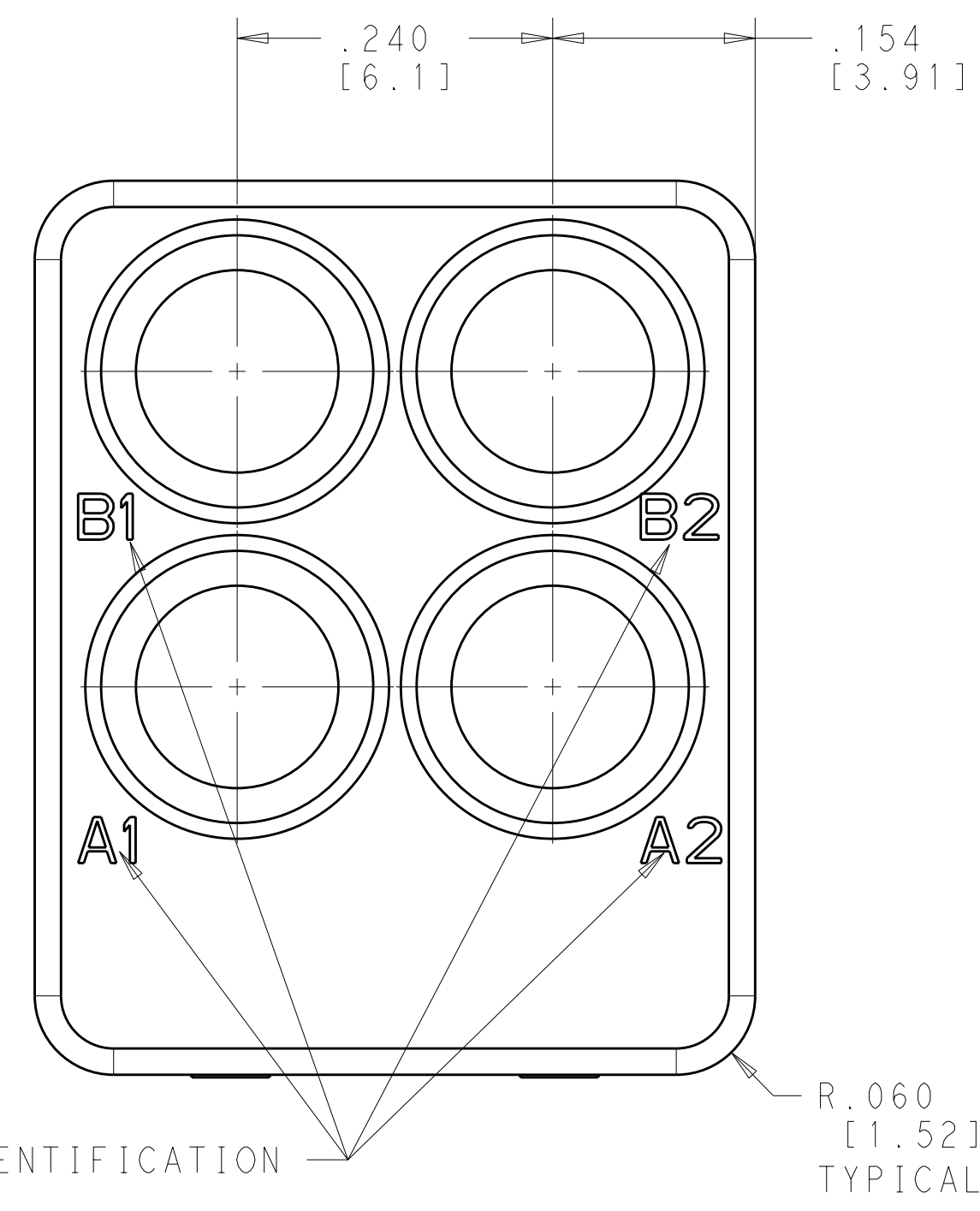
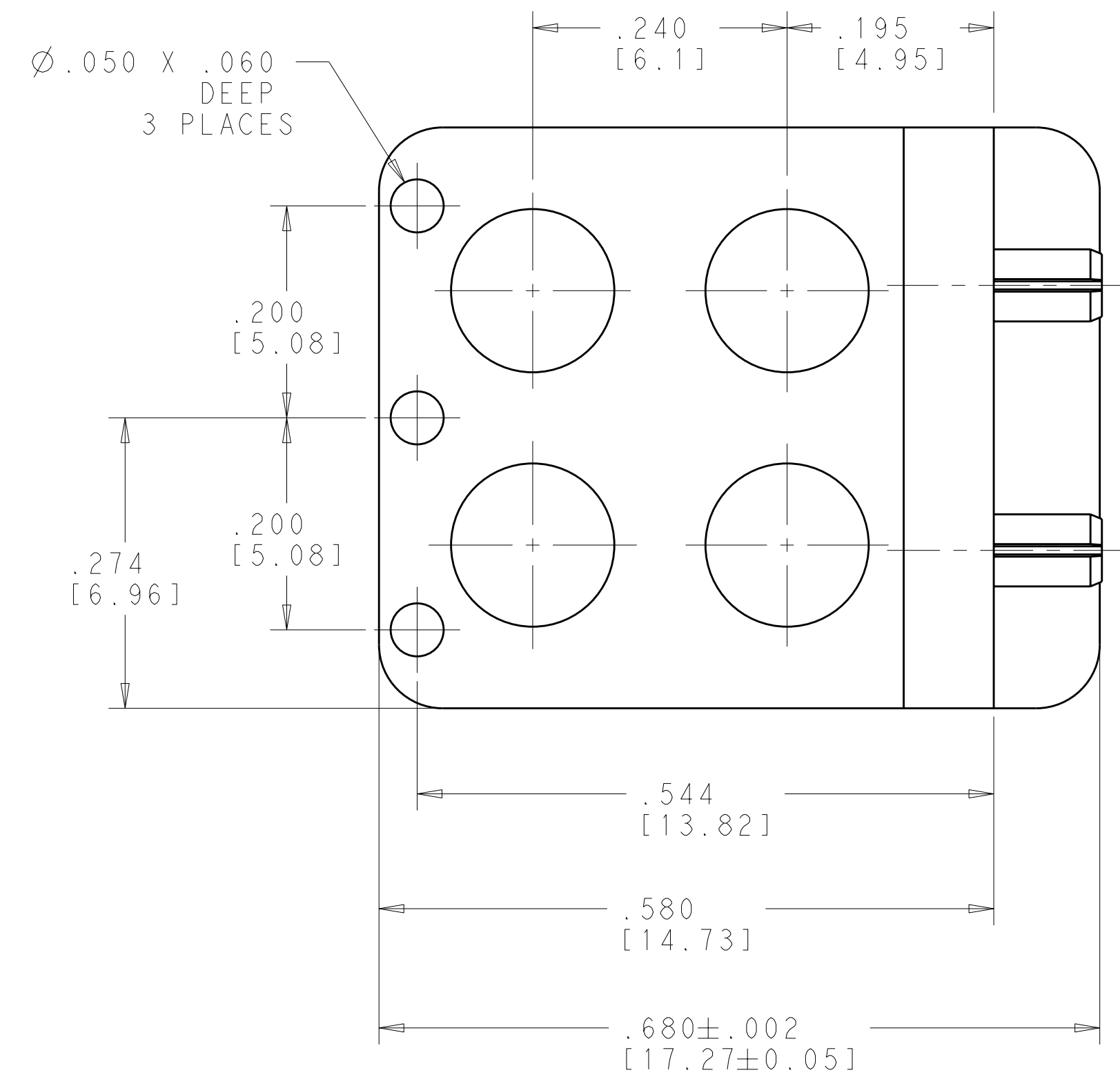
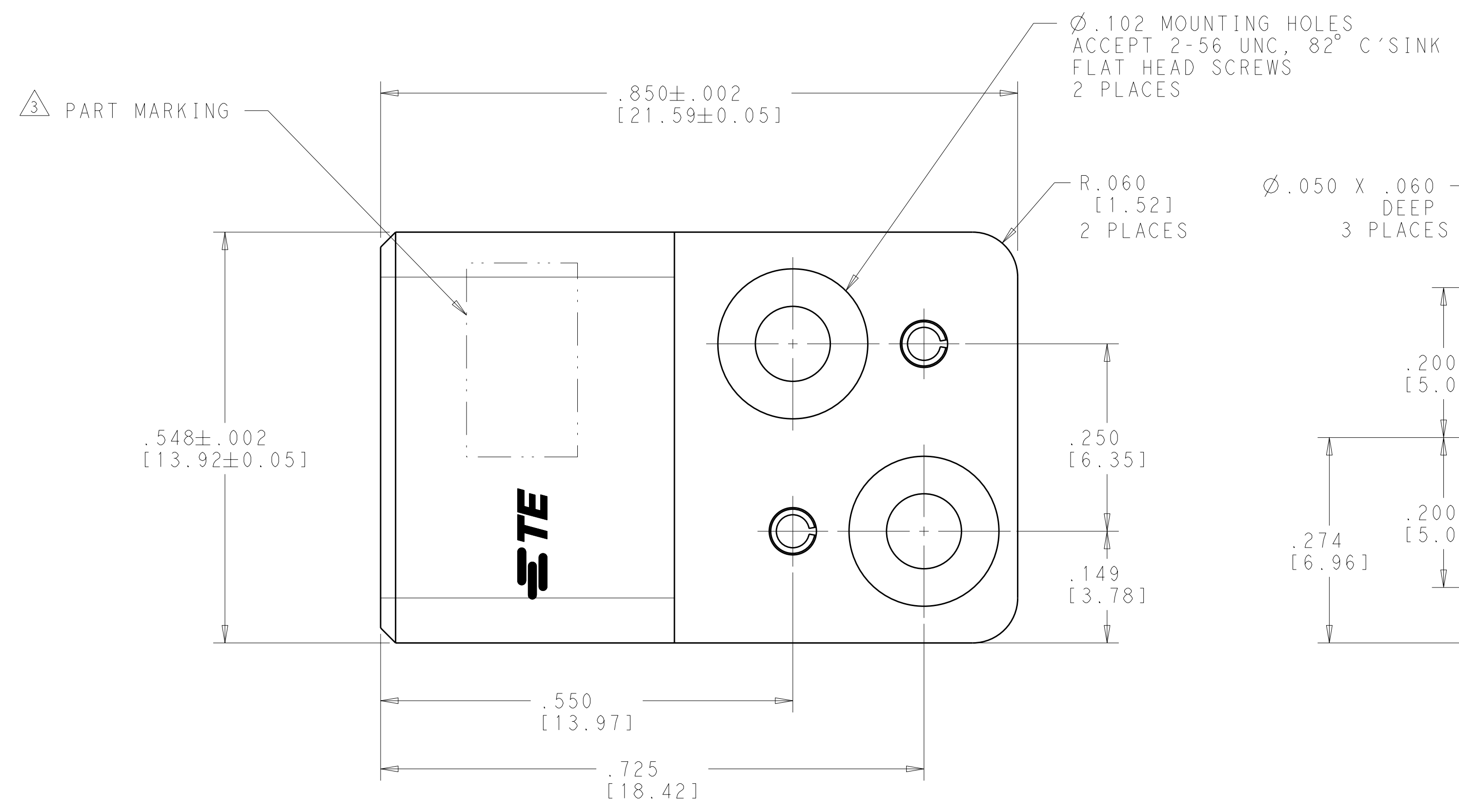
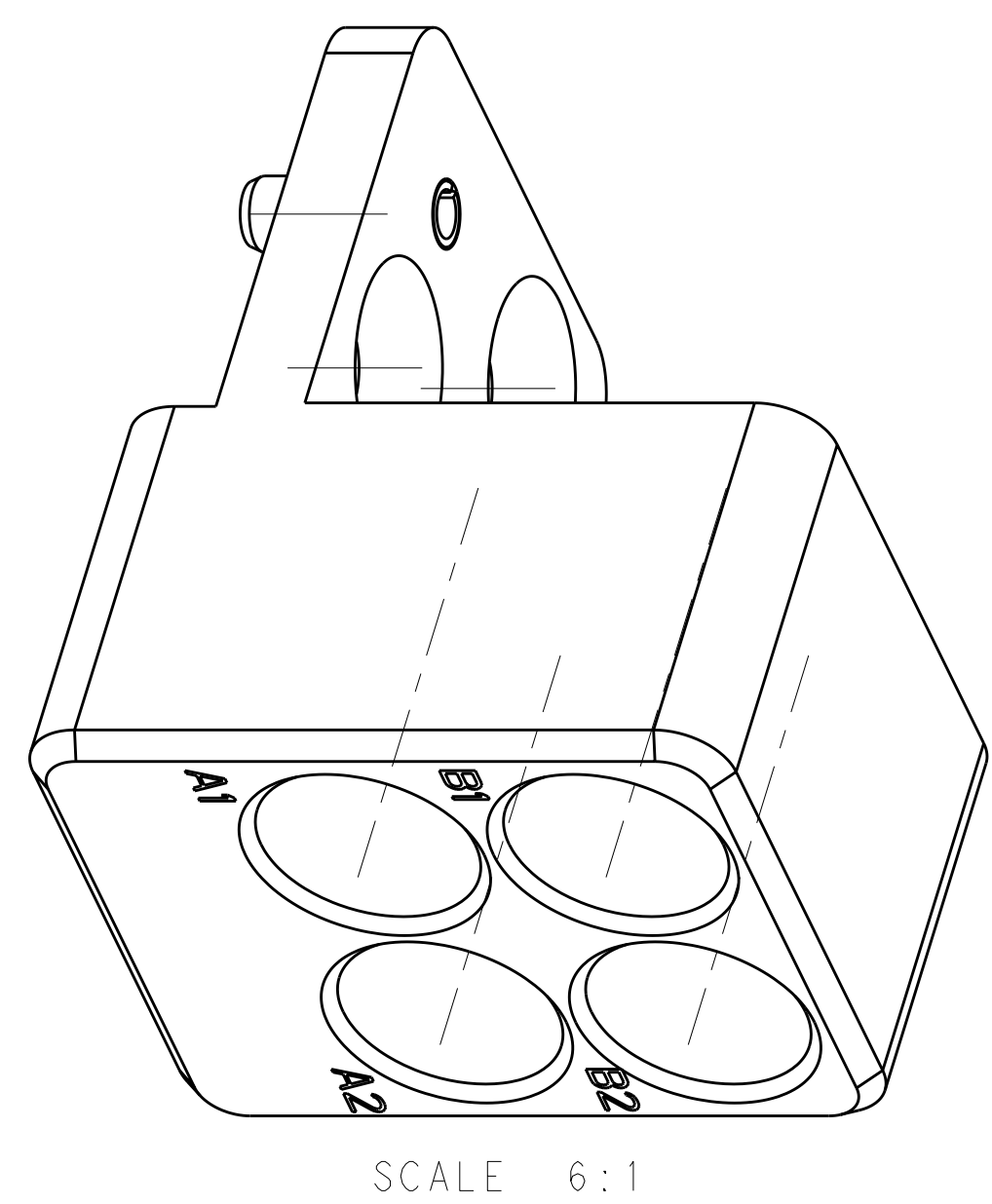


LOC	DIST	REV	DESCRIPTION	DATE	DWN	APVD
-	-	G	RELEASED PER ECO 11-014630	7-22-11	CT	WM



- △ MATERIAL:  
MODULE BODY - STAINLESS STEEL, PER UNS S30300  
SPRING PINS - WORK HARDENED NICKEL STAINLESS STEEL
- △ FINISH:  
MODULE BODY AND SPRING PINS - PASSIVATED
- △ PART MARKING:  
TE CONNECTIVITY PART NUMBER, CAGE CODE AND DATE CODE
- △ CAVITY IDENTIFICATION MARKING

1996883-4	△3/4	1996883-4
-----	-----	1996883-3
TE PART MARKING	MARKING REQUIREMENT	PART NUMBER

THIS DRAWING IS A CONTROLLED DOCUMENT.		DWN S.T. Morley 11AUG2009	TE Connectivity
DIMENSIONS: INCHES[mm]		CHK S.T. Morley 11AUG2009	
TOLERANCES UNLESS OTHERWISE SPECIFIED:		APVD S.T. Morley 11AUG2009	
9 PLC ±.1 7 PLC ±.01 5 PLC ±.001 4 PLC ±.0005 ANGLES ±1.0°		NAME 4 POSITION R.F. MODULE P.C.B. MOUNT - DAUGHTER CARD VITA 67, 3U (1/2 SIZE)	
MATERIAL	FINISH	PRODUCT SPEC	RESTRICTED TO
		APPLICATION SPEC	SIZE CAGE CODE DRAWING NO
		WEIGHT .512 oz	A100779C=1996883
		CUSTOMER DRAWING	SCALE 8:1 SHEET 1 OF 1 REV G