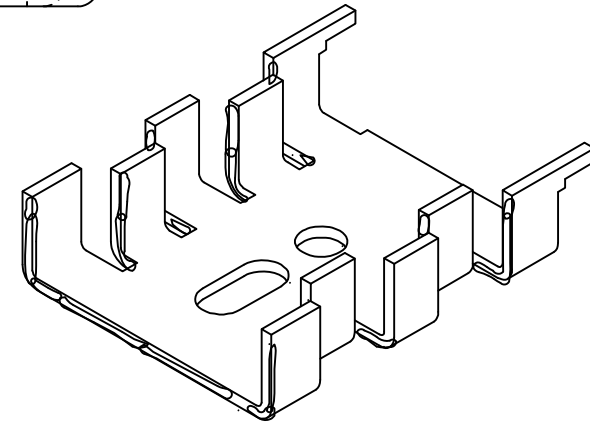
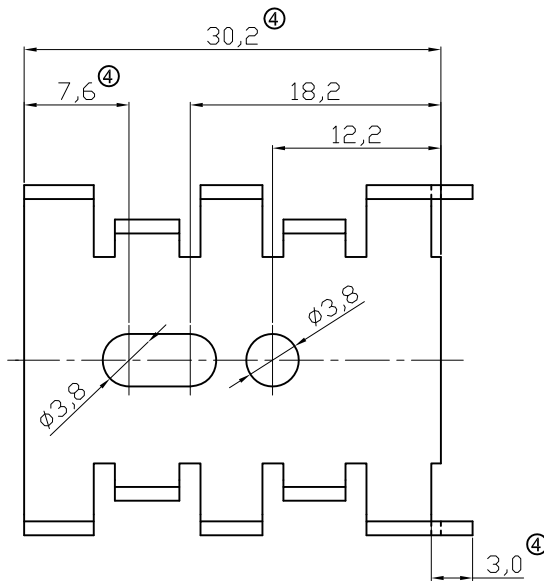
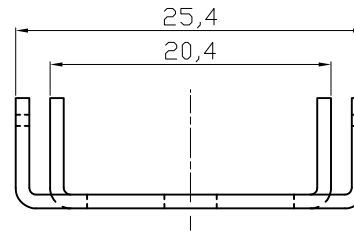
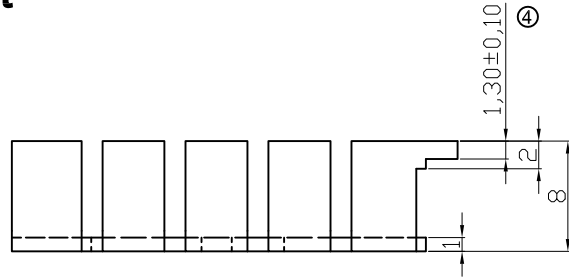



RoHS compliant



Notes
Material:AL99.5-1mm

Option	Version	Thermal resistance
V5236BP-T	Black anodized	18
⑤ V5236SNP-T	Matte Tinned	18

Scale	1:1					Date	Name	Customer-No.	
TOLERANCE		⑤	Update plating Type	19.06.2012	Lucas	Drawn	20.08.2009	Dean	
X.	±X	④	Update	24.08.2011	Jason	Approved	19.06.2012	Lucas	
X.X	±X	③	Modify P/N	09.10.2010	Dean				
X.XX	±X	②	Modify drawing layout	10.03.2010	Dean				
DIM	TOL	①	Drawn	20.08.2009	Dean				
X.°	±X°								
X.X°	±X°								
Angle	TOL	Id.	Modification	Date	Name			Drawing-No. ASS 0475 HS	rev05
								Replace	Sheet

1

2

3

4

5

6

7