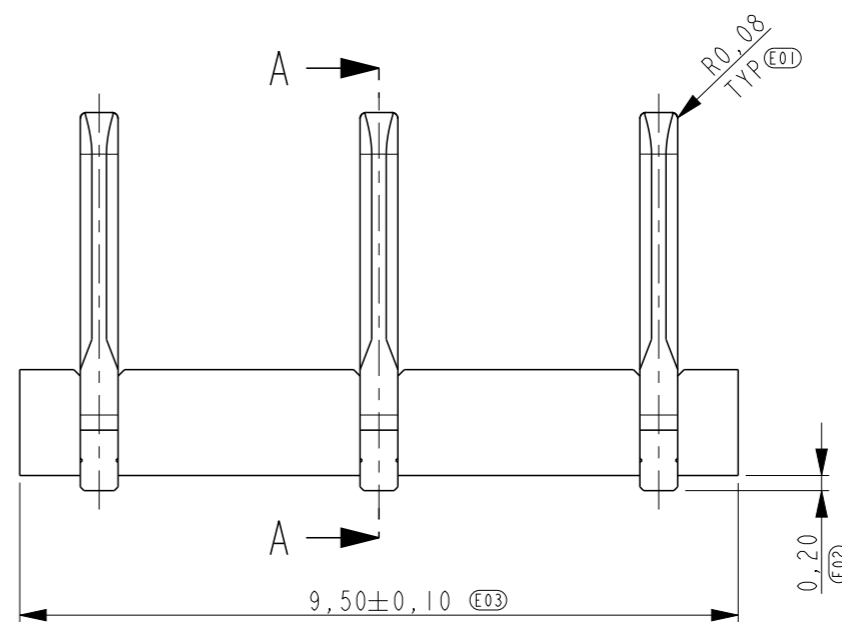
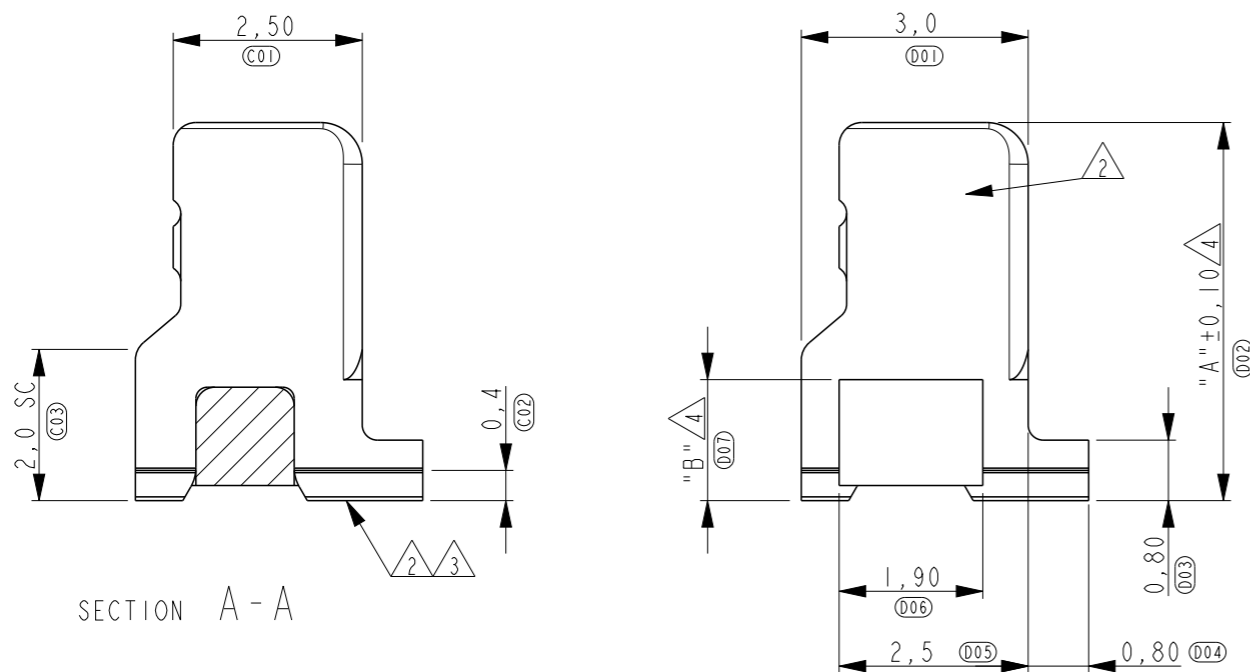
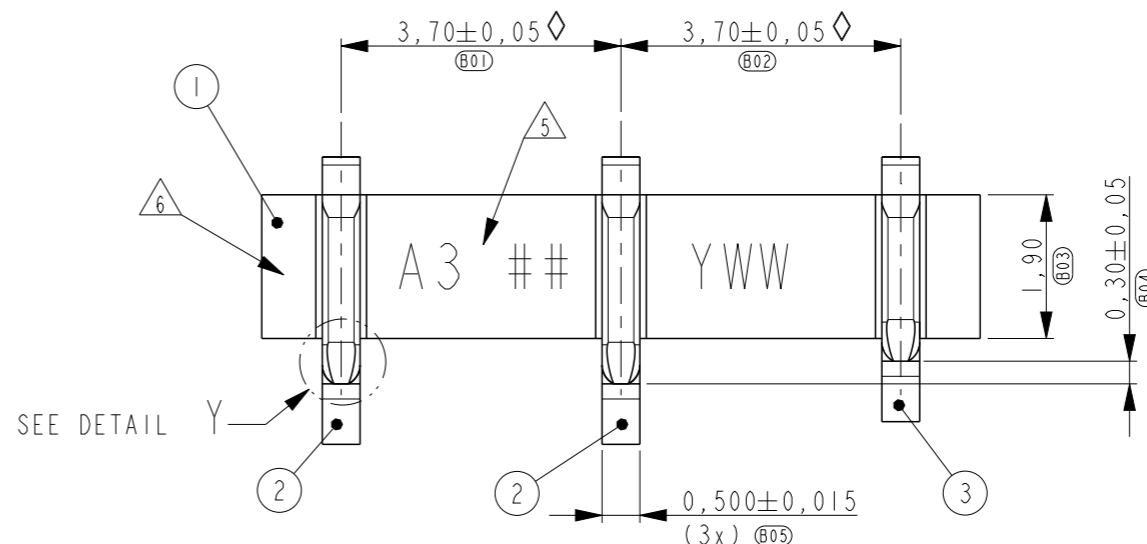
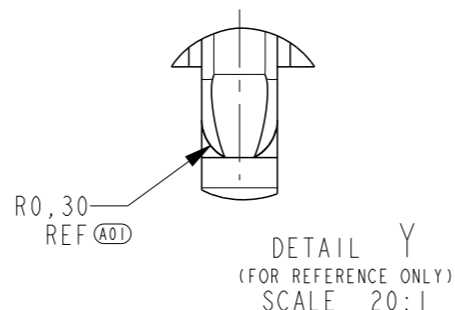


THIS DRAWING IS UNPUBLISHED. RELEASED FOR PUBLICATION
 © COPYRIGHT - BY - ALL RIGHTS RESERVED.

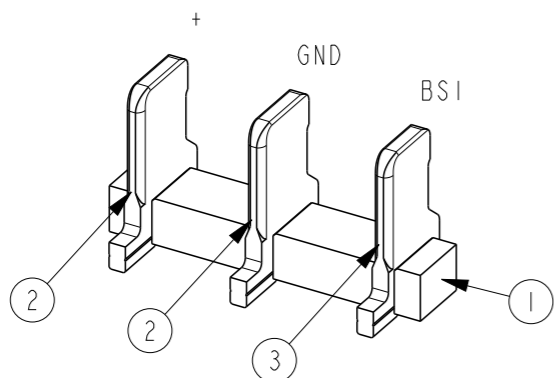
LOC	DIST	REVISIONS					
		P	LTR	DESCRIPTION	DATE	DWN	APVD
H	-		H	ECR-10-018708	09SEP2010	PW	DH
			J	ECR-12-004130	29MAR2012	PW	DH
			JI	ECR-13-013007	9OCT2013	E.L	WK.H

NOTES:

- 1 DRAWING REPRESENTS PART VERSION "A3".
- 2 PLATING:
 1,2µm MIN. NICKEL ALL OVER
 0,8µm MIN. GOLD ON CONTACT AREA
 0,05µm - 0,20µm GOLD ON SOLDER AREA
- 3 COPLANARITY OF SOLDER SURFACES 0,08 MAX.
- 4 DIMENSION DEPENDS ON DISTANCE BETWEEN PWB AND BATTERY, SEE TABLE ON SHEET 4.
- 5 MARKING: VERSION, PROCESS ID (##), PRODUCTION DATE (YWW, YEAR AND WEEK).
- 6 MARKING: CAVITY ID.
- 7 PN 2-1857084-5 AS SHOWN.



ITEM NO.	DESCRIPTION	MATERIAL	FINISH
3	CONTACT, FIRST BREAK	COPPER ALLOY	GOLD PLATED
2	CONTACT, LAST BREAK	COPPER ALLOY	GOLD PLATED
1	HOUSING	PLASTIC, GF	-



THIS DRAWING IS A CONTROLLED DOCUMENT.

DIMENSIONS: mm	TOLERANCES UNLESS OTHERWISE SPECIFIED:
	0 PLC ±-
	1 PLC ±0,2
	2 PLC ±0,1
	3 PLC ±-
	4 PLC ±-
	ANGLES ±-
MATERIAL -	FINISH -

DWN	29 APR 2005
CHK	J. Tuin
APVD	29 APR 2005
APVD	D. Halberstadt
PRODUCT SPEC	108-19276
APPLICATION SPEC	-
WEIGHT	-
CUSTOMER DRAWING	

STE TE Connectivity

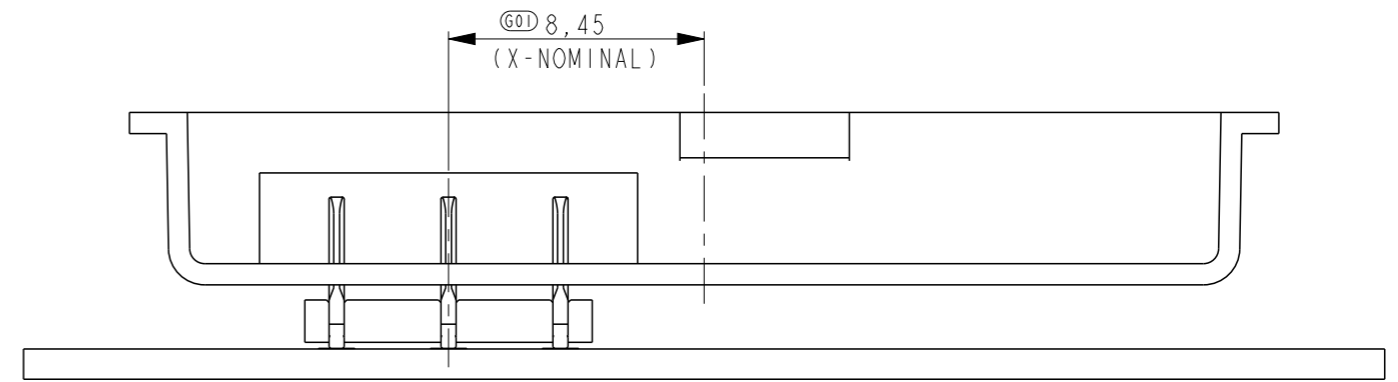
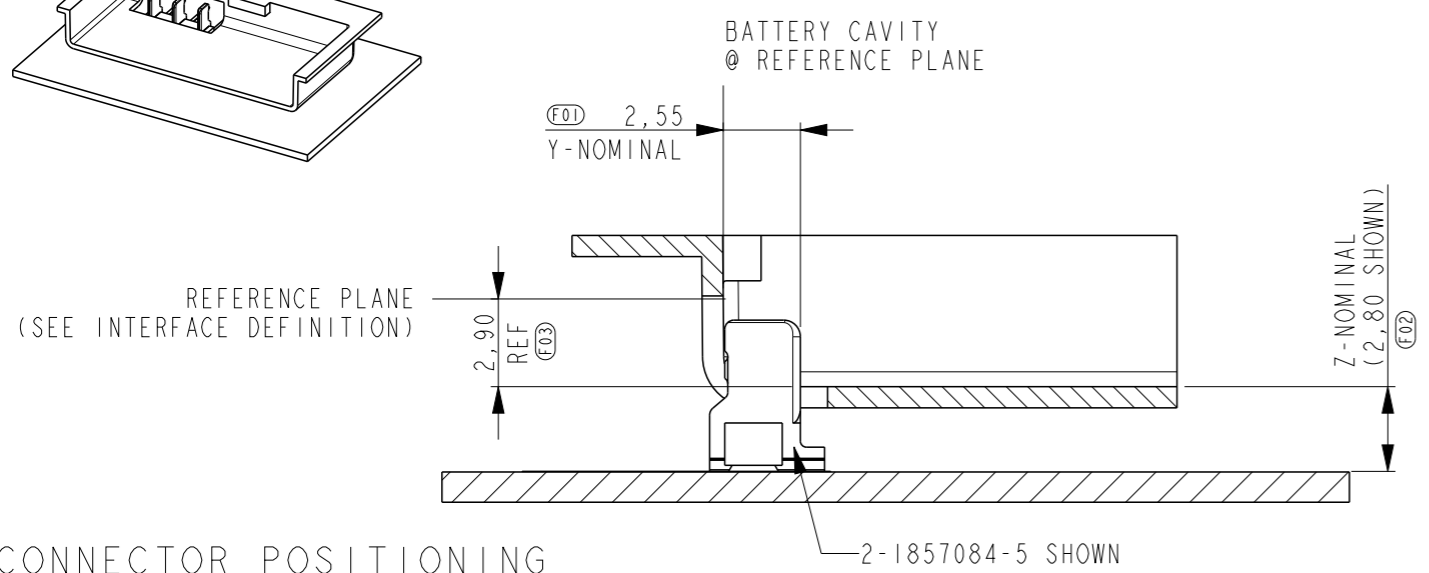
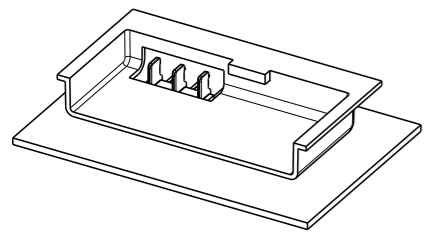
NAME: PLUG CONNECTOR UTB, 3 POSITION BATTERY BLOCK

SIZE	CAGE CODE	DRAWING NO	RESTRICTED TO
A3	00779	C=1857084	-

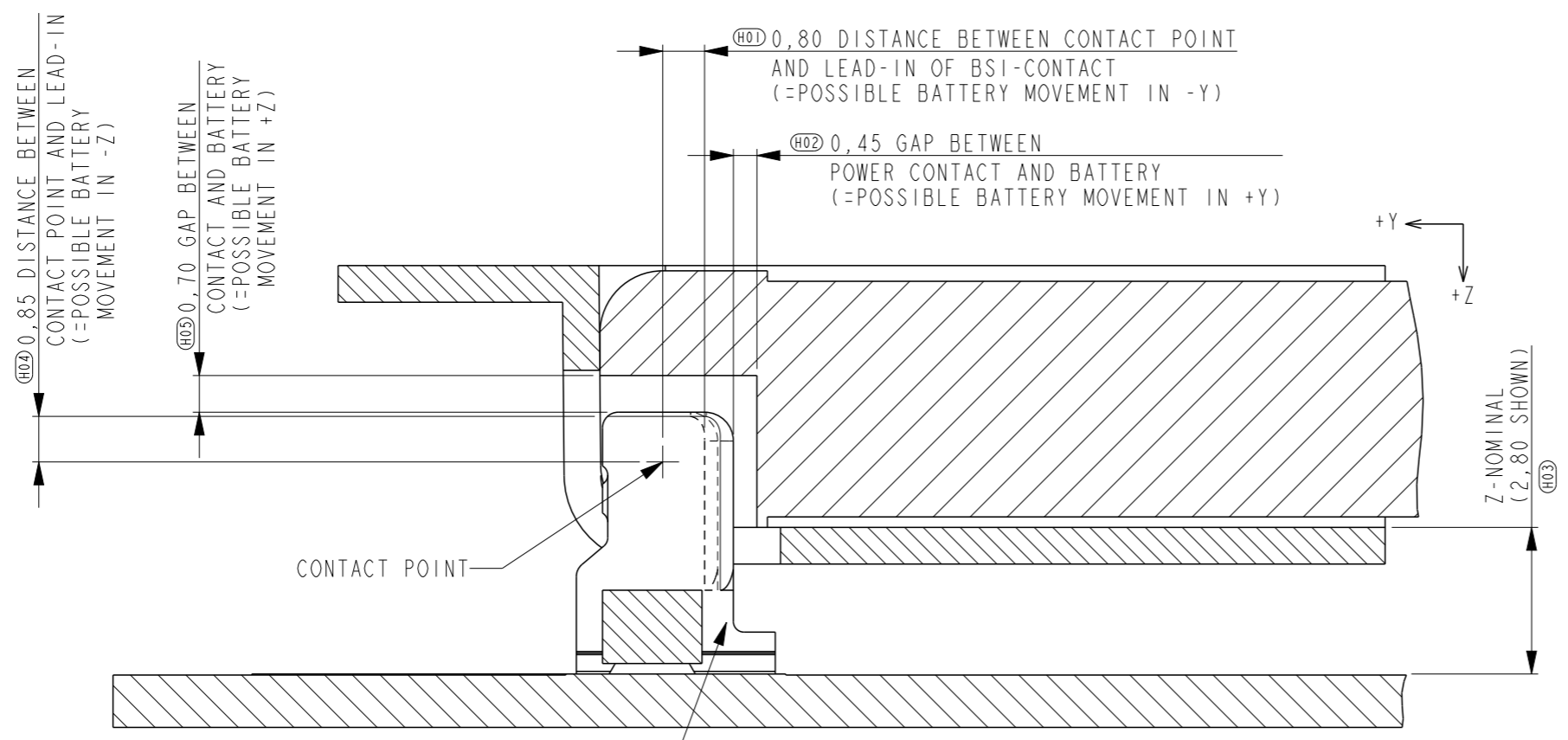
SCALE 10:1 SHEET 1 OF 5 REV JI

THIS DRAWING IS UNPUBLISHED. RELEASED FOR PUBLICATION
 © COPYRIGHT - BY - ALL RIGHTS RESERVED.

LOC	DIST	REVISIONS			
P	LTR	DESCRIPTION	DATE	DWN	APVD
H	-	SEE SHEET 1	-	-	-



CONNECTOR POSITIONING



WORKING RANGE:
 (PERMITTED BATTERY MOVEMENT)

IN X-DIRECTION ±0,50 SYMMETRICAL

IN Y-DIRECTION 1,25 TOTAL
 IN -Y-DIRECTION 0,80
 (BATTERY LENGTH TOLERANCE, PHONE CASE TOLERANCE, ASSEMBLY TOLERANCE, PHONE FLEXIBILITY)
 IN +Y-DIRECTION 0,45
 (ASSEMBLY TOLERANCE, PHONE FLEXIBILITY)

IN Z-DIRECTION 1,55 TOTAL
 IN -Z-DIRECTION 0,85
 (BATTERY FRONT TOLERANCE, PHONE CASE TOLERANCE, PHONE FLEXIBILITY)
 IN +Z-DIRECTION 0,70 (SEE TABLE SHEET 4)
 (PHONE CASE TOLERANCE, PHONE FLEXIBILITY)

THESE VALUES APPLY IF Z-NOMINAL IS IN THE CENTER OF THE RANGE SPECIFIED FOR THE PLUG (AS SHOWN HERE).

WORKING RANGE

SCALE 8:1

THIS DRAWING IS A CONTROLLED DOCUMENT.		DWN J. Tuin 29 APR 2005	TE Connectivity	
		CHK J. Tuin 29 APR 2005		
		APVD D. Halberstadt 29 APR 2005	NAME	
DIMENSIONS: mm		PRODUCT SPEC 108-19276	PLUG CONNECTOR UTB, 3 POSITION BATTERY BLOCK	
TOLERANCES UNLESS OTHERWISE SPECIFIED:		APPLICATION SPEC -	RESTRICTED TO	
0 PLC ±- 1 PLC ±0,2 2 PLC ±0,1 3 PLC ±- 4 PLC ±- ANGLES ±-		WEIGHT -	SIZE A3	CAGE CODE 00779
MATERIAL - FINISH -		CUSTOMER DRAWING	DRAWING NO. C-1857084	SCALE 10:1
			SHEET 2 OF 5	REV JI

4

3

2

1

THIS DRAWING IS UNPUBLISHED.

RELEASED FOR PUBLICATION

© COPYRIGHT - BY - ALL RIGHTS RESERVED.

LOC	DIST	REVISIONS					
H	-	P	LTR	DESCRIPTION	DATE	DWN	APVD
			-	SEE SHEET 1	-	-	-

Z-NOMINAL (01)

NMP CODE	PART NUMBER	Z-NOMINAL RANGE	DIMENSION "A"	DIMENSION "B"	MASS [mg]	+Z DIRECTION MOVEMENT (REF SHEET 3)
5469254	1-1857084-7	>1,7 (1,8 - 2,2)	4,20	1,60	159	+0,40
5469741	2-1857084-0	>2,0 (2,1 - 2,5)	4,50	1,60	174	+0,70
5469743	2-1857084-5	>2,5 (2,6 - 3,0)	5,00	1,60	189	+0,70
5469745	3-1857084-0	>3,0 (3,1 - 3,5)	5,50	2,60	219	+0,70
5469747	3-1857084-5	>3,5 (3,6 - 4,0)	6,00	2,60	235	+0,70
5469749	4-1857084-0	>4,0 (4,1 - 4,5)	6,50	2,60	251	+0,70

1-1857084-7 2-1857084-0 2-1857084-5

3-1857084-0 3-1857084-5 4-1857084-0

PRODUCT SELECTION

2-1857084-0 3-1857084-5

THIS DRAWING IS A CONTROLLED DOCUMENT.		DWN J. Tuin 29 APR 2005		TE Connectivity PLUG CONNECTOR UTB, 3 POSITION BATTERY BLOCK					
DIMENSIONS: mm		CHK J. Tuin 29 APR 2005				NAME			
TOLERANCES UNLESS OTHERWISE SPECIFIED:		APVD D. Halberstadt 29 APR 2005				PRODUCT SPEC			
0 PLC ±- 1 PLC ±0,2 2 PLC ±0,1 3 PLC ±- 4 PLC ±- ANGLES ±-		APPLICATION SPEC				RESTRICTED TO			
MATERIAL -		FINISH -		WEIGHT -		SIZE A3	CAGE CODE 00779	DRAWING NO C-1857084	RESTRICTED TO -
CUSTOMER DRAWING				SCALE 10:1	SHEET 3 OF 5	REV JI			

1470-19 (3/11)

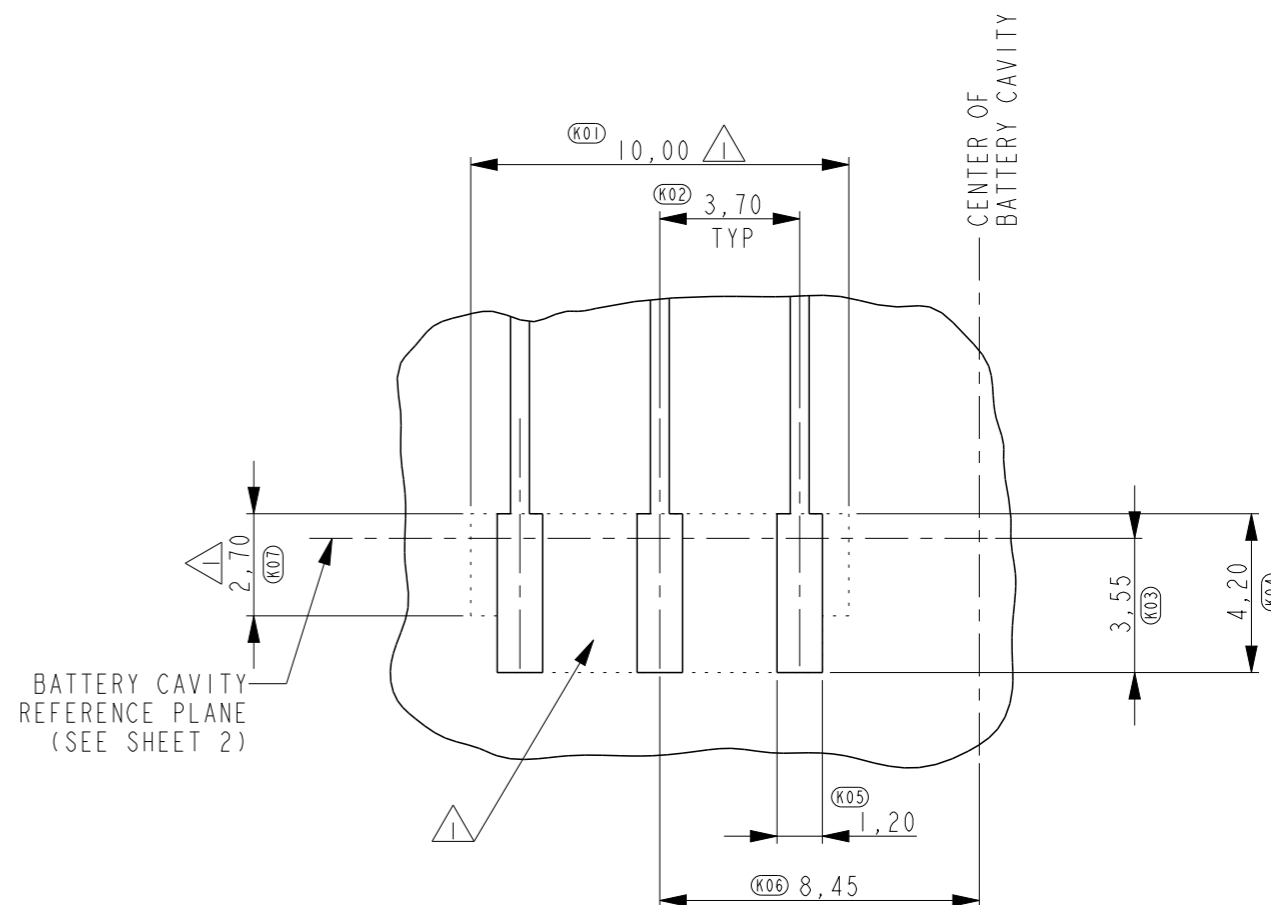
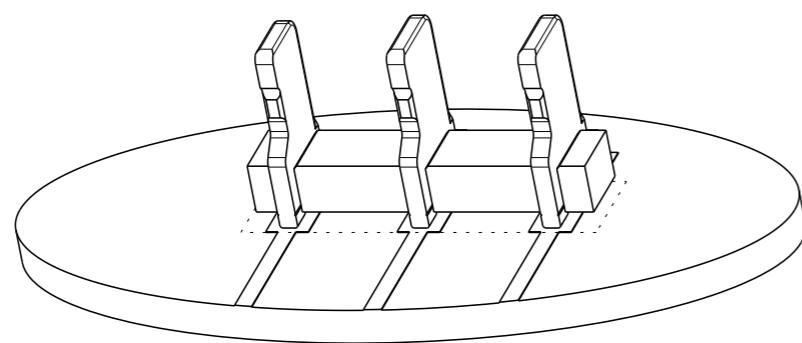
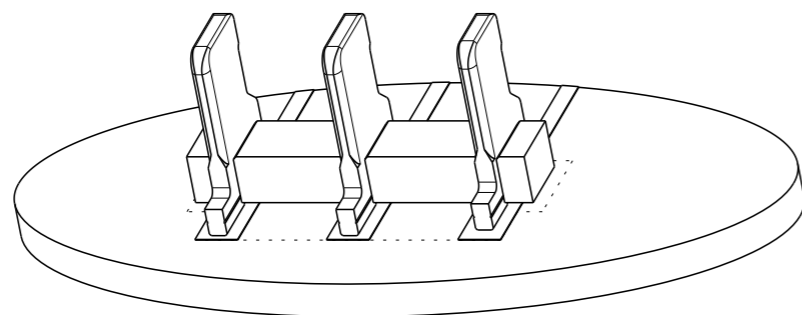
THIS DRAWING IS UNPUBLISHED.

RELEASED FOR PUBLICATION

© COPYRIGHT - BY -

ALL RIGHTS RESERVED.

LOC	DIST	REVISIONS					
H	-	P	LTR	DESCRIPTION	DATE	DWN	APVD
			-	SEE SHEET 1			



NOTES:

△ AREA FREE OF SOLDER SCREEN.

THIS DRAWING IS A CONTROLLED DOCUMENT.

DWN J. Tuin 29 APR 2005

CHK J. Tuin 29 APR 2005

APVD D. Halberstadt 29 APR 2005

PRODUCT SPEC 108-19276

APPLICATION SPEC -

WEIGHT -

CUSTOMER DRAWING

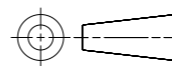


NAME
PLUG CONNECTOR
UTB, 3 POSITION
BATTERY BLOCK

SIZE A3 CAGE CODE 00779 DRAWING NO. C-1857084 RESTRICTED TO -

SCALE 10:1 SHEET 4 OF 5 REV J1

DIMENSIONS:
mm



TOLERANCES UNLESS OTHERWISE SPECIFIED:

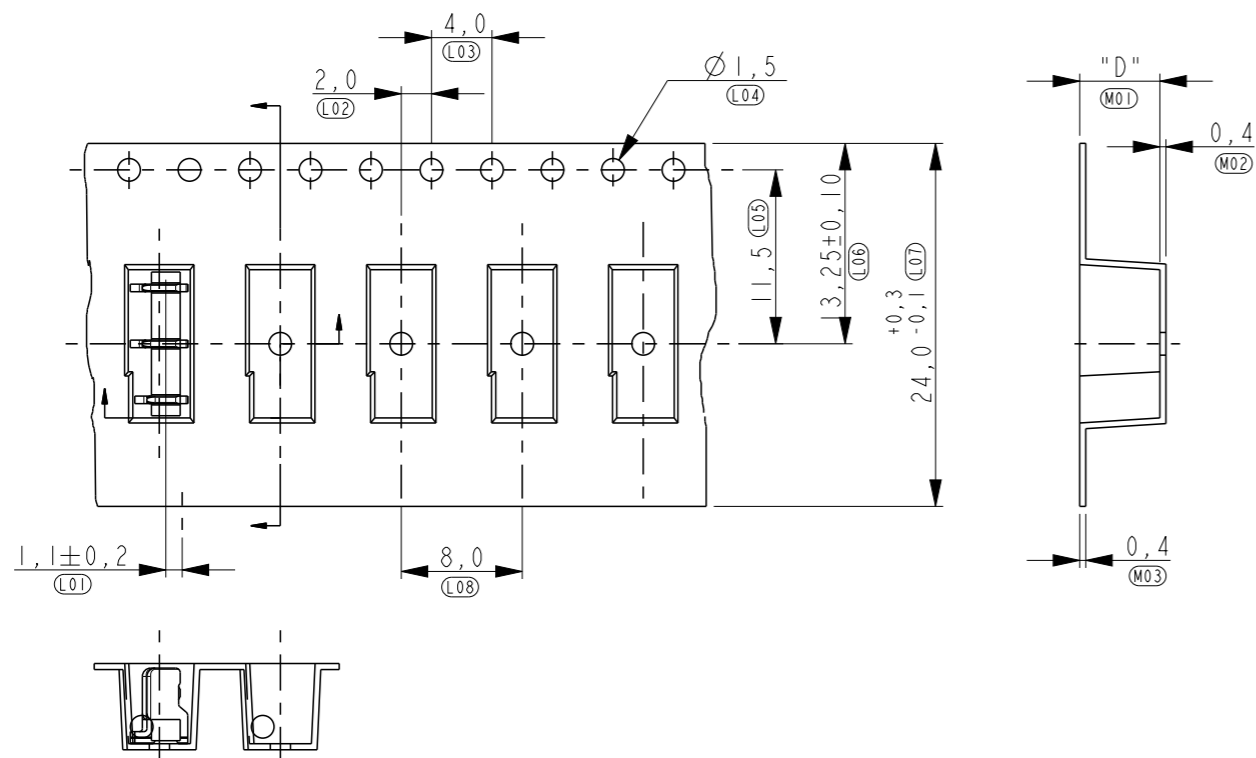
- 0 PLC ±-
- 1 PLC ±0,2
- 2 PLC ±0,1
- 3 PLC ±-
- 4 PLC ±-
- ANGLES ±-
- FINISH -

MATERIAL -

FINISH -

THIS DRAWING IS UNPUBLISHED. RELEASED FOR PUBLICATION
 © COPYRIGHT - BY - ALL RIGHTS RESERVED.


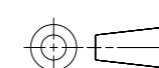
LOC	DIST	REVISIONS					
H	-	P	LTR	DESCRIPTION	DATE	DWN	APVD
			-	SEE SHEET 1	-	-	-



PART NUMBER	QUANTITY PER REEL	DIMENSION "D"
1-1857084-7	1300	4,8
2-1857084-0	1300	4,8
2-1857084-5	1300	5,3
3-1857084-0	1000	6,9
3-1857084-5	1000	6,9
4-1857084-0	1000	6,9

NOTES:

1 REEL DIMENSION: 330x101x24,4.

THIS DRAWING IS A CONTROLLED DOCUMENT.		DWN J. Tuin 29 APR 2005	 TE Connectivity			
DIMENSIONS: mm		CHK J. Tuin 29 APR 2005			NAME	
		APVD D. Halberstadt 29 APR 2005				
TOLERANCES UNLESS OTHERWISE SPECIFIED:		PRODUCT SPEC 108-19276	PLUG CONNECTOR UTB, 3 POSITION BATTERY BLOCK			
0 PLC ±- 1 PLC ±0,2 2 PLC ±0,1 3 PLC ±- 4 PLC ±- ANGLES ±-		APPLICATION SPEC -	SIZE A3	CAGE CODE 00779	DRAWING NO C-1857084	RESTRICTED TO -
MATERIAL - FINISH -		WEIGHT -	SCALE 10:1		SHEET 5 OF 5	REV J1
CUSTOMER DRAWING						