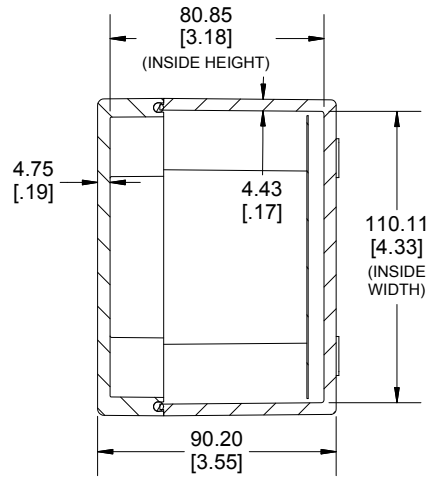
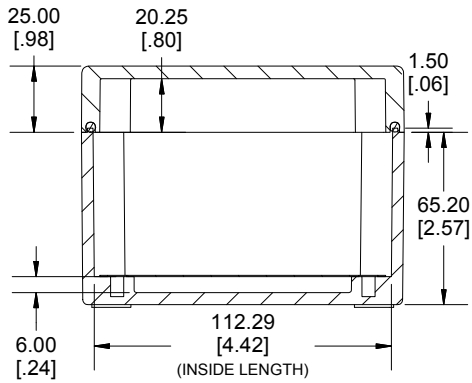
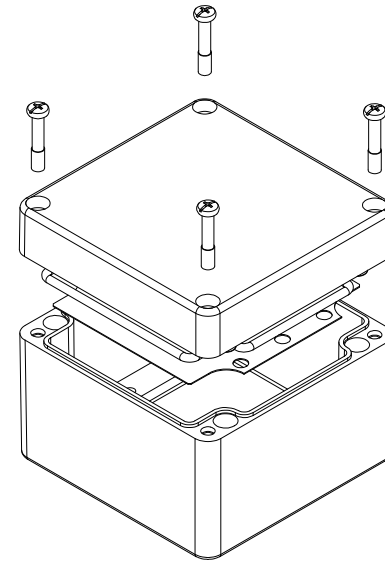


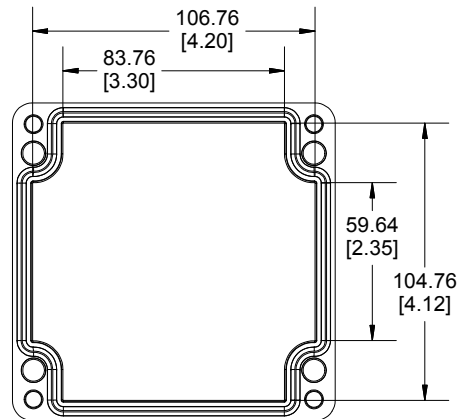
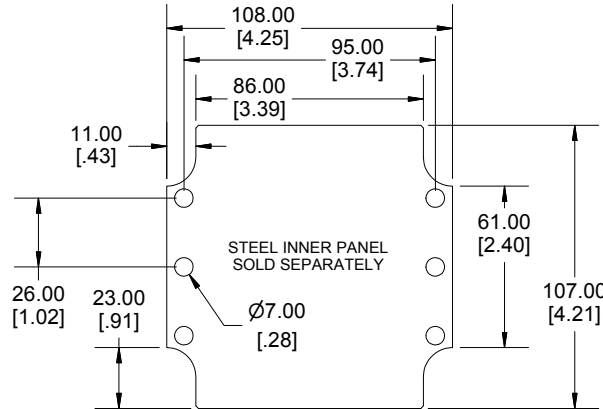
TOP VIEW



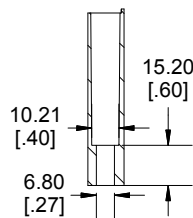
**SECTION B-B
END VIEW**



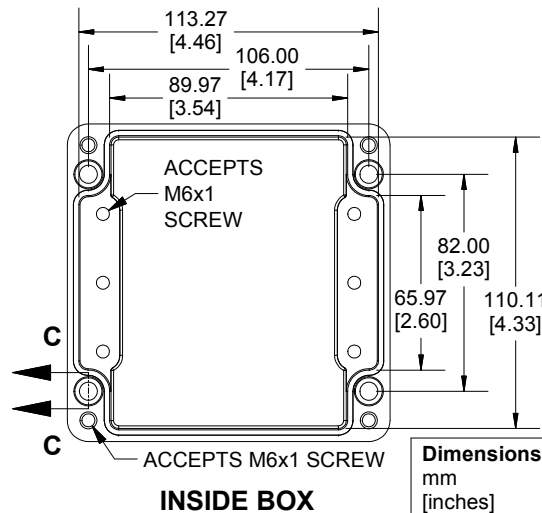
**SECTION A-A
SIDE VIEW**



INSIDE LID



**SECTION C-C
MOUNTING HOLE**



INSIDE BOX

Dimensions:
mm
[inches]



Enclosures can be Factory Modified (Milling, Drilling, Printing etc.)
Contact Factory mjm@hammondmfg.com for quotes
Solid models of this enclosure available in STEP or IGES.
(Part number and text placement/orientation on our products are subject to change.
we do not recommend using them as a locating reference for modification purposes)

NOTE

Purchased assembly includes Box, Lid, Gasket and 4 cover screws
Enclosure Molded from Glass Reinforced Polyester

Recommended cover screw torque 8-9.5 lbf.in (90-110 cN.m)

PART NUMBERS

1590ZGRP121 Enclosure

Grey Enclosure

1590ZGRP121GY

ACCESSORIES

Copper Ground Hardware (20 Pack)
[M6 - 1.0 X 6mm / M6 Washer]

SCGM6GRP-20

Stainless Steel Cover Screw (20 Pack)
[M6 - 1.0 x 30mm]

SC570-20

Steel Inner Panel

1590ZGRP121PL

Hinge Kit (2 Pack)

1427HK

1590ZGRP121
www.hammondmfg.com