

1

2

3

4

5

6

7

A

A

B

B

C

C

D

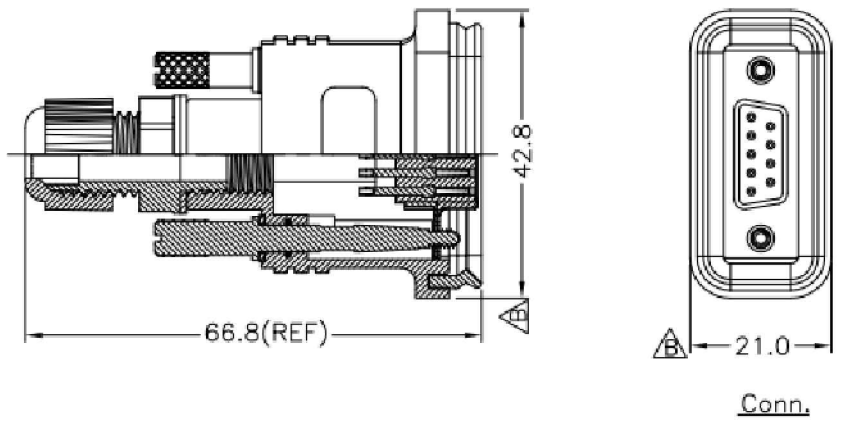
D

E

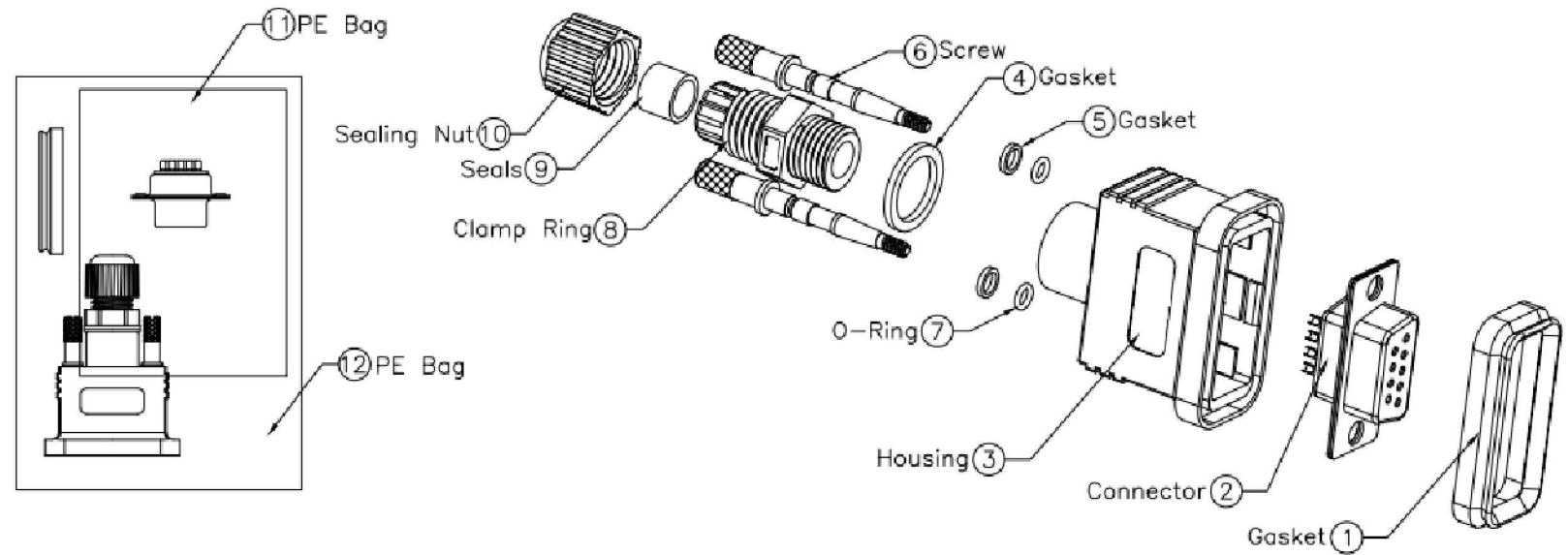
E

F

F



- Note:
- * Waterproof Rate: IP67
 - * Housing:ABS,Black.
 - * Connector:D-SUB 09Pin,Female Pin:Brass,Gold Flash.
 - * Gasket:EPDM,Black.
 - * Screw:Brass,Nickel Plated.
 - * O-Ring:Silicone,Clear.
 - * Seals For Cable OD:ø3.5mm~ø7.0mm
 - * Clamp Ring:Nylon,Black.
 - * Seals:EPDM,Black.
 - * Sealing Nut:Nylon,Black.
 - * One Set Unassembled in One PE Bag.



RoHS compliant
UNIT:mm

Scale	Free					Date	Name	Customer-No.	
TOLERANCE					Drawn	22.04.2014	Joanna	ASSMANN WSW-No. A-DF09-HOOD-WP	
	±0.25				Approved	22.04.2014	Joanna		
DIM	TOL							Drawing-No.	
X.°	±X°							ASS 6255 CO	rev00
X.X°	±X°	©	Drawn	22.04.2014				Joanna	
Angle	TOL	Id.	Modification	Date				Name	Replace

G

G

H

H

1

2

3

4

5

6

7