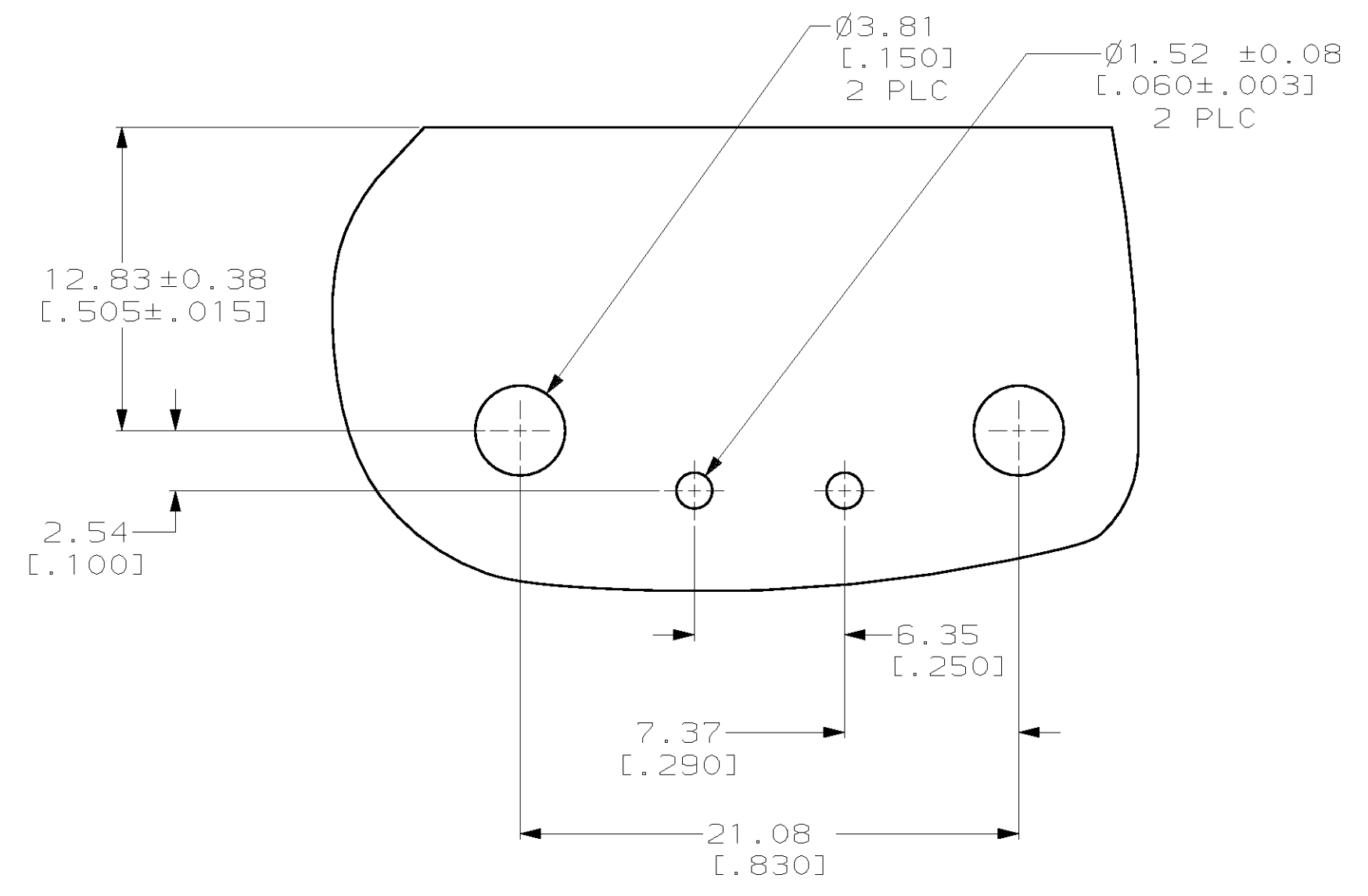
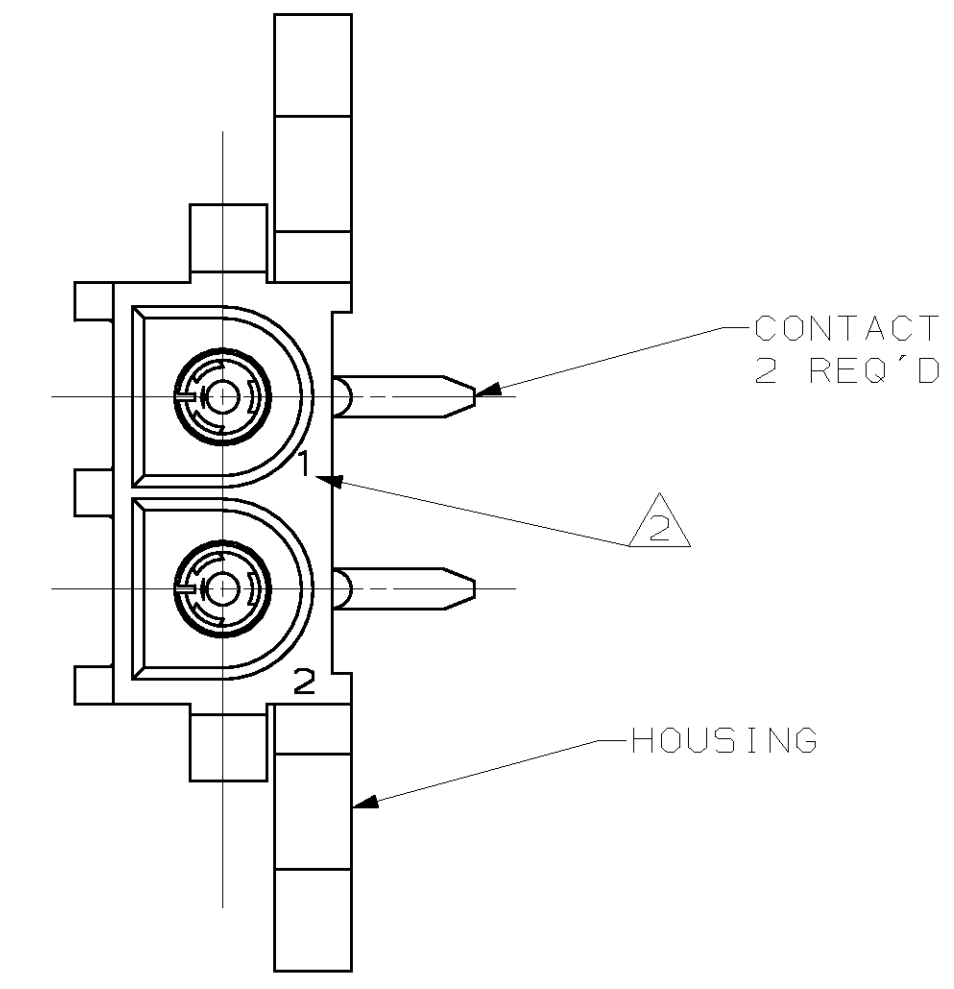
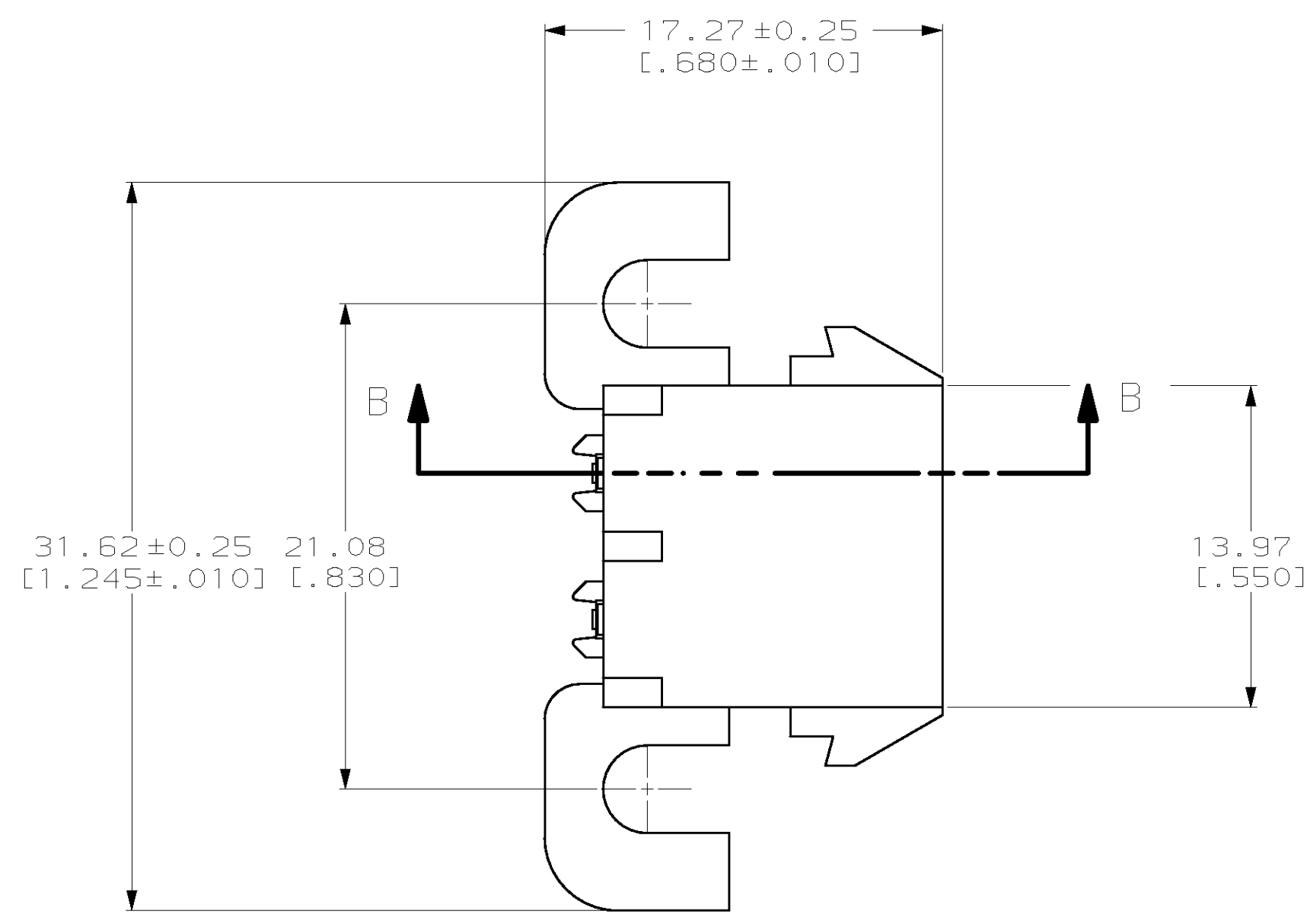
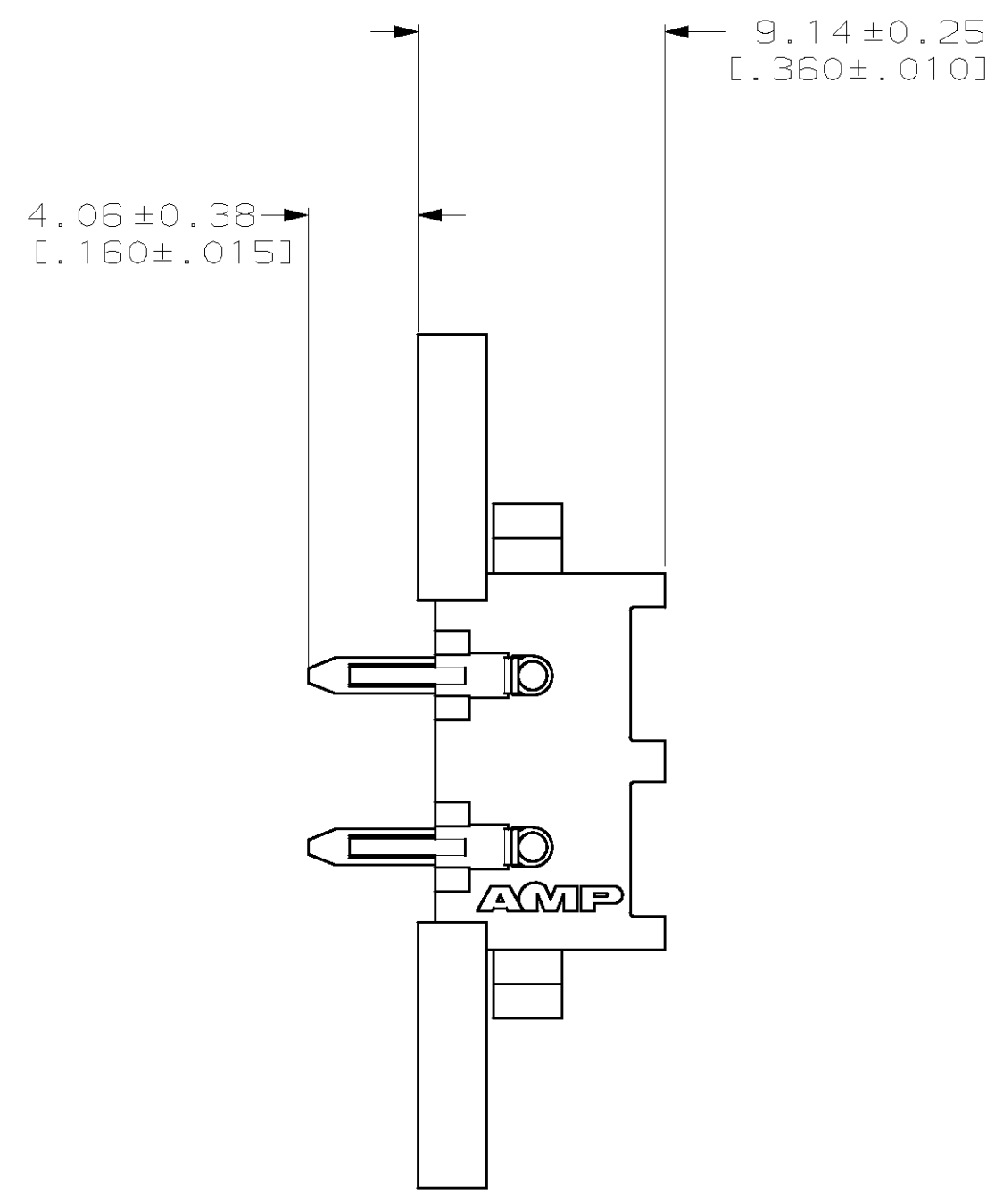
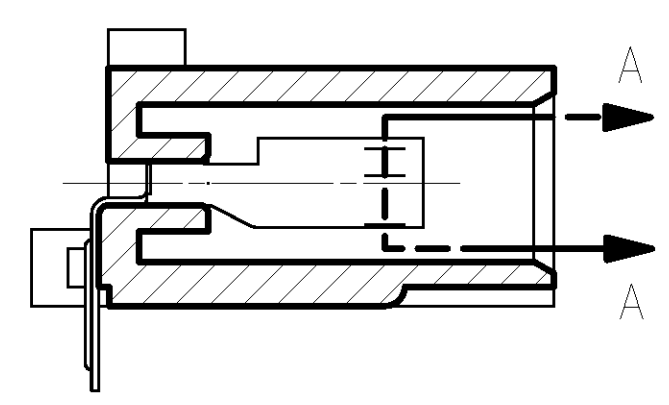


| LOC | QTY | REV | DATE | BY | CHK | APPV |
|-----|-----|-----|---------|----|-----|------|
| CM | 53 | B | 4-30-98 | BL | RS | |

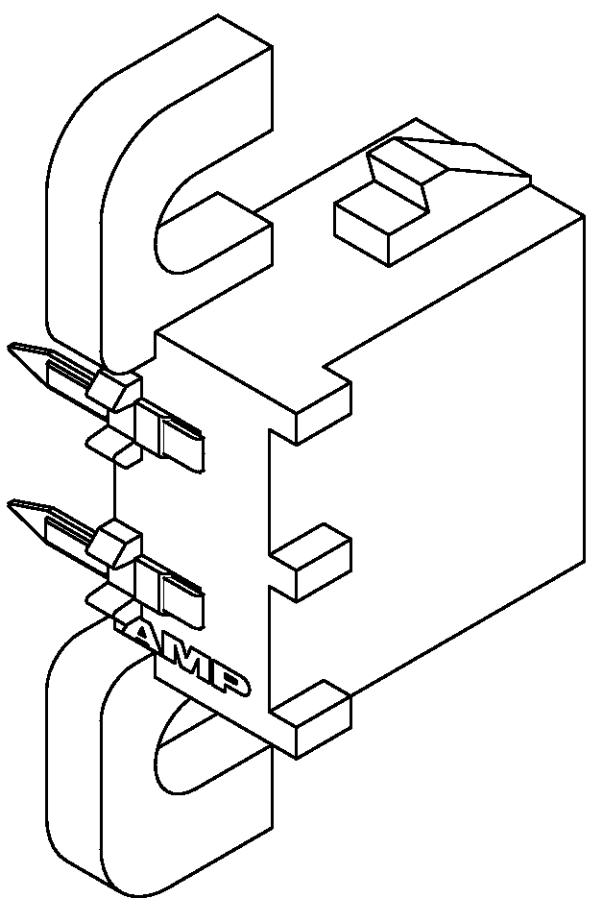
- PARTS COMPLY WITH AMP SOLDERABILITY SPECIFICATION 109-11-5.
- CIRCUIT IDENTIFICATION CHARACTERS ARE ADJACENT TO THE INDICATED CAVITIES, BUT LOCATION AND ORIENTATION MAY DIFFER FROM PRINT.
- DIMENSIONS IN BRACKETS ARE IN INCHES.



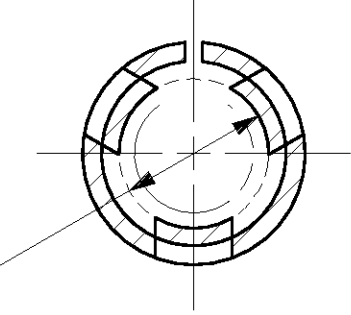
RECOMMENDED MOUNTING HOLE PATTERN FOR .062 [1.57] THICK P.C. BOARD



SECTION B-B



3-DIMENSIONAL MODEL NTS



SECTION A-A
SCALE 10:1

METRIC

| | | | |
|--|-------------|------------------------|--|
| THIS DRAWING IS A CONTROLLED DOCUMENT. | | OWN: B. LEWIS 4-30-98 | AMP Incorporated |
| DIMENSIONS: INCHES | | CHK: R. SWING 4-30-98 | Harrisburg, PA 17105-3608 |
| TOLERANCES UNLESS OTHERWISE SPECIFIED: | | APPV: K. CORLE 4-30-98 | NAME: SOCKET HEADER ASSEMBLY, RIGHT ANGLE MOUNT, 2 POSITION, UNIVERSAL MATE-N-LOK™ |
| 9 PLC ± .01 | 3 PLC ± .01 | APPLICATION SPEC | SIZE: A1 |
| 2 PLC ± .01 | 3 PLC ± .01 | HEIGHT | SCALE CODE: 643226 |
| 3 PLC ± .01 | 3 PLC ± .01 | CUSTOMER DRAWING | SCALE: 4:1 |
| 3 PLC ± .01 | 3 PLC ± .01 | | SHEET 1 OF 1 |
| 3 PLC ± .01 | 3 PLC ± .01 | | REV B |