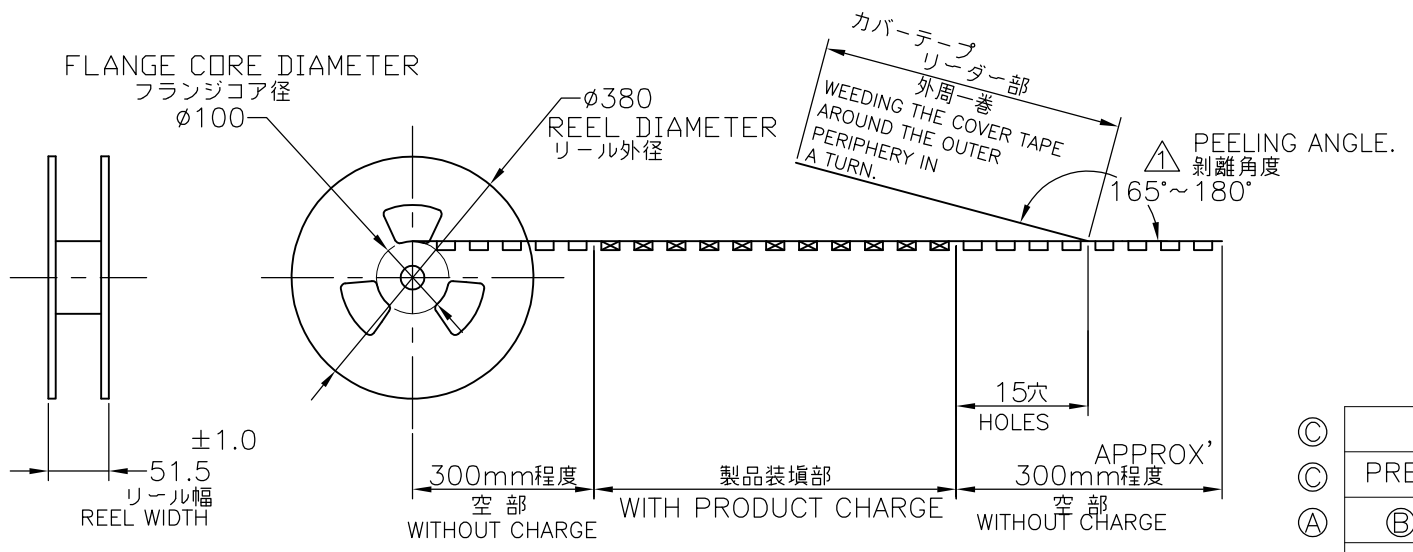
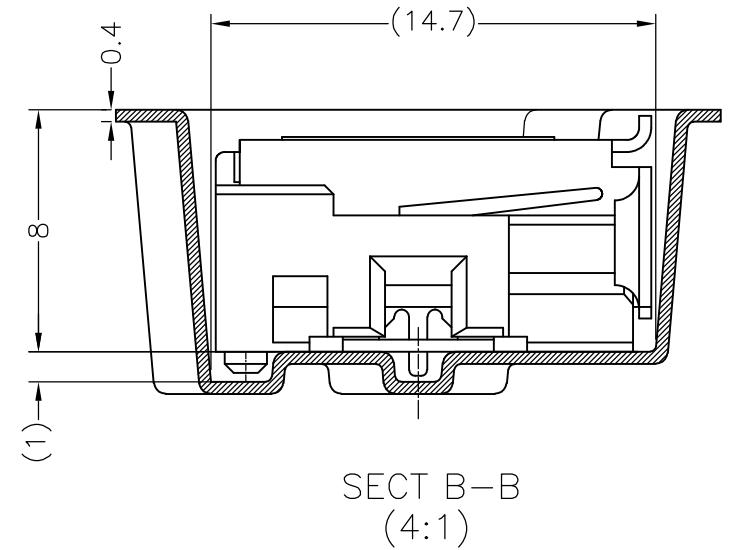
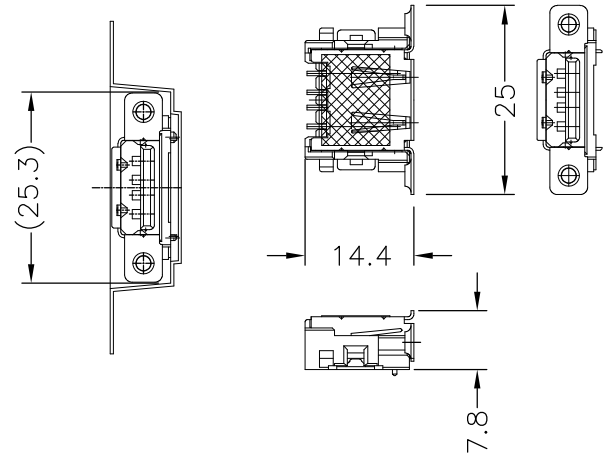
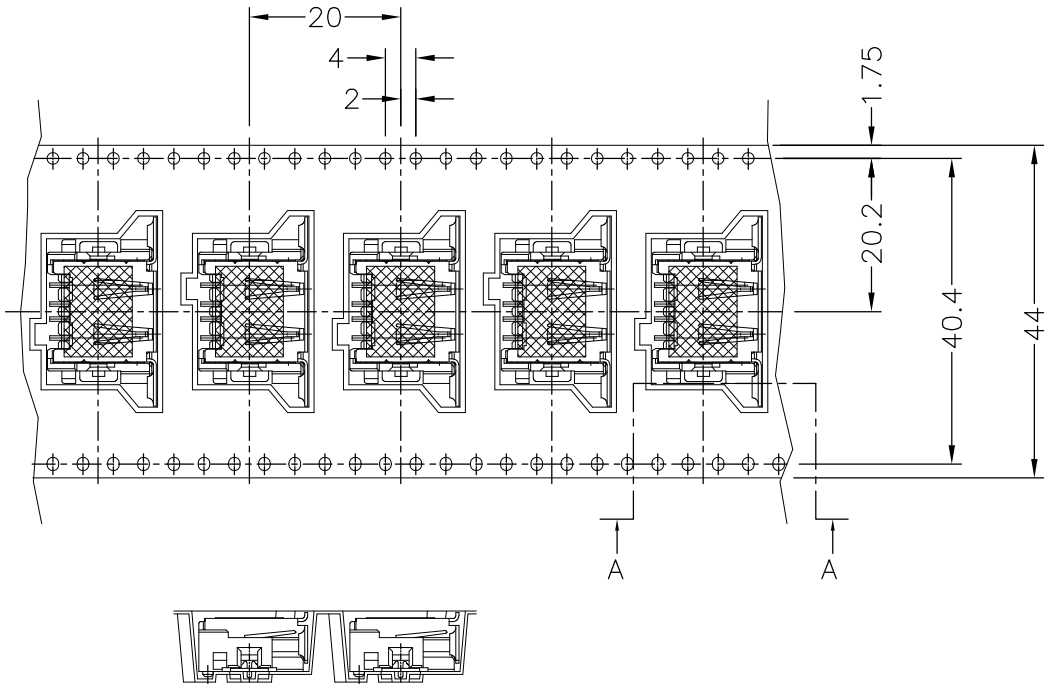


THIS DRAWING IS UNPUBLISHED. RELEASED FOR PUBLICATION
 © COPYRIGHT BY TYCO ELECTRONICS CORPORATION. ALL RIGHTS RESERVED.

LOC	DIST	REVISIONS					
		P	LTR	DESCRIPTION	DATE	DWN	APVD
J		C		REVISED FJ00-2553-02	7FEB03	N.S	Y.Y
		C1		REVISED PER ECO-09-021826	08JAN10	KK	AEG

リール引き出し方向
 DIRECTION OFF TOP OF REEL



注記
 1. PRELIMINARYの製品は、製造を確約するものではありません。
 Notes
 1. PRELIMINARY PRODUCT DOES NOT BE PROMISED MANUFACTURE POSITIVELY.
 △ OBSOLETE PARTS: OBSOLETE CIS STREAMLINING PER D.RENAUD/D.SINISI

353929-1,2

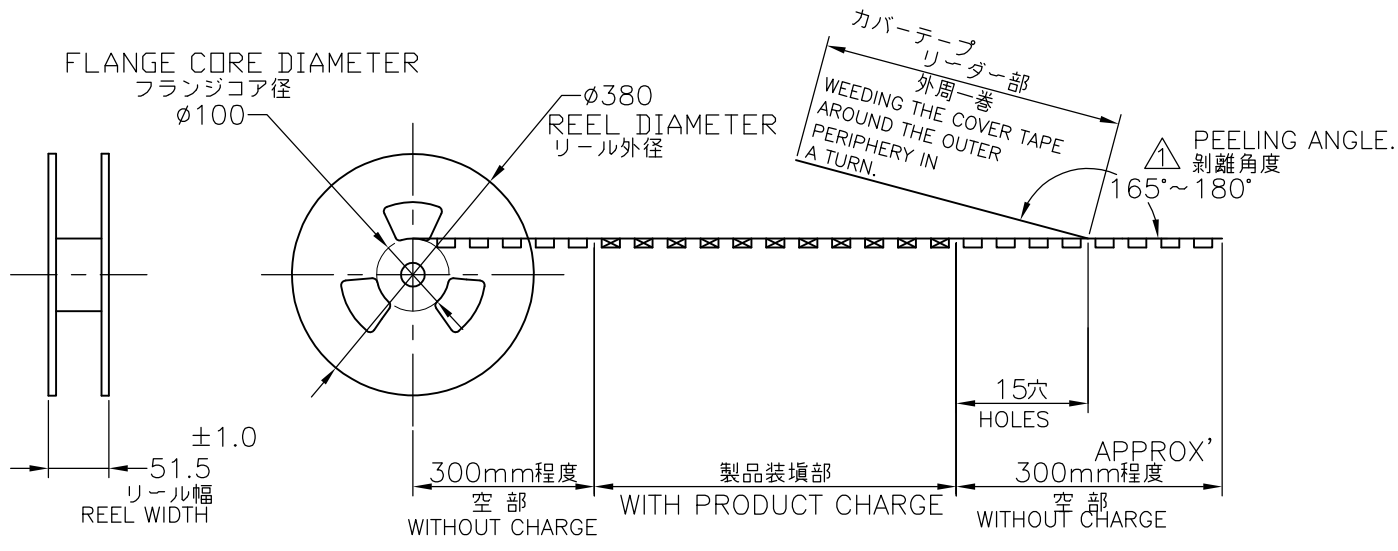
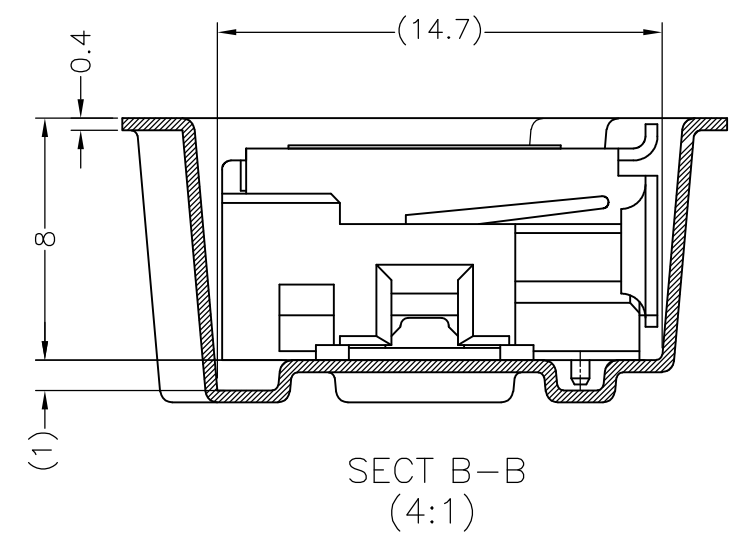
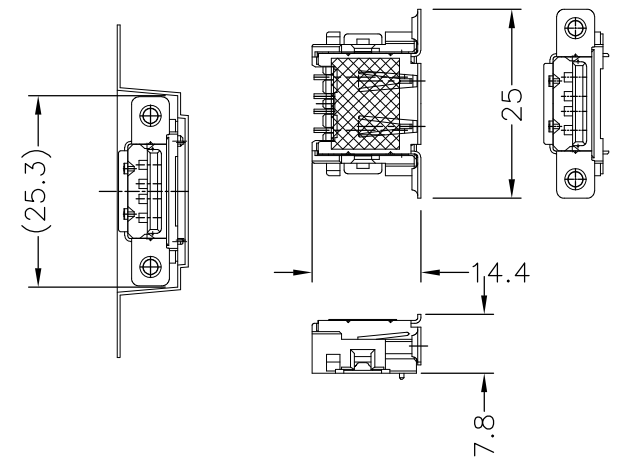
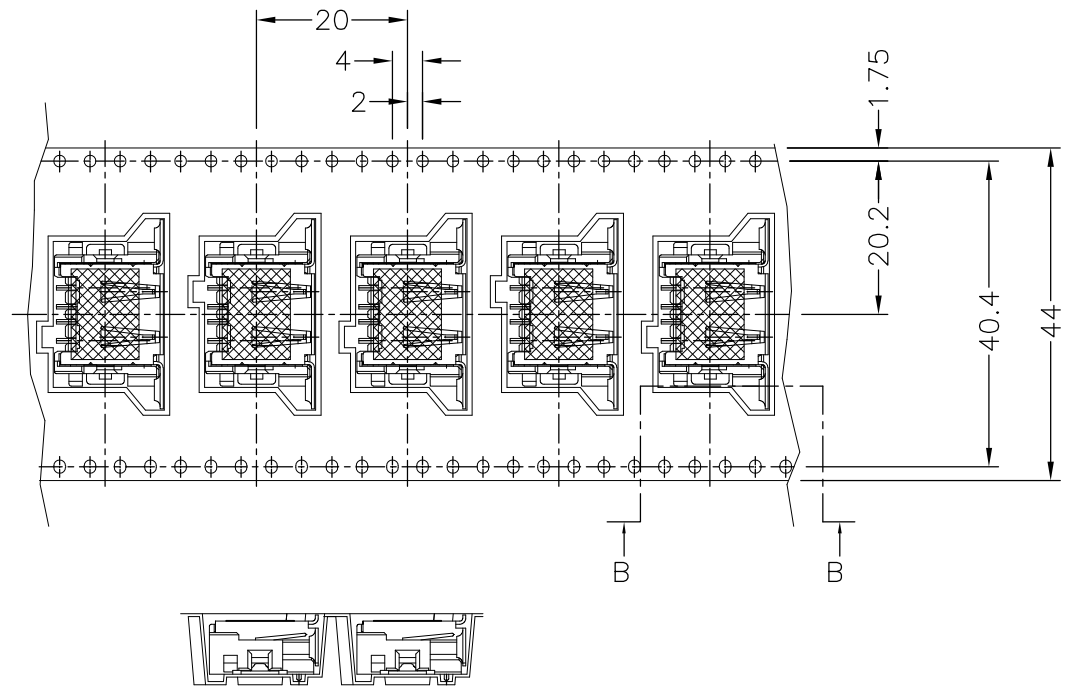
③	PRODUCING	BLACK	350	4	1-1674429-2	353929-6
③	PRELIMINARY NOT FOR PRODUCTION	WHITE	350	4	1-1674429-1	△ 353929-5
①	② PRODUCING	BLACK	350	4	1-353583-4	353929-4
①	PRELIMINARY NOT FOR PRODUCTION	WHITE	350	4	1-353583-3	△ 353929-3
①	PRELIMINARY NOT FOR PRODUCTION	BLACK	350	4	1-353583-2	△ 353929-2
	PRODUCING	WHITE	350	4	1-353583-1	353929-1
	TOOLING STATUS	HOUSING COLOR	QTY	POS	CONN. P/N	PART NO.

THIS DRAWING IS A CONTROLLED DOCUMENT.		DWN Y.WATANABE 19/MAY/'97	Tyco Electronics AMP K.K. Kawasaki, Japan	
DIMENSIONS: 単位: 耗 MM		CHK T.YAMADA 19/MAY/'97		
TOLERANCES UNLESS OTHERWISE SPECIFIED: 一般公差		APVD T.YAMADA 19/MAY/'97	NAME 名称	
0 PLC ± ±0.3		PRODUCT SPEC 製品規格		EMBOSS ASSY
1 PLC ±		108-5563		
2 PLC ±		APPLICATION SPEC 取付適用規格		STD TYPE USB CONN. REC. WITH COVER TYPE
3 PLC ±		WEIGHT		SIZE
4 PLC ±		FINISH 仕上		CAGE CODE
ANGLES ± ±5°		MATERIAL 材料		DRAWING NO 番号
		CUSTOMER DRAWING		RESTRICTED TO
				A3 00779 C-353929
				SCALE 尺度 1:1
				SHEET 1 OF 3
				REV C1

THIS DRAWING IS UNPUBLISHED. RELEASED FOR PUBLICATION
 © COPYRIGHT - BY TYCO ELECTRONICS CORPORATION. ALL RIGHTS RESERVED.

LOC	DIST	REVISIONS					
J		P	LTR	DESCRIPTION	DATE	DWN	APVD

リール引き出し方向
 DIRECTION OFF TOP OF REEL



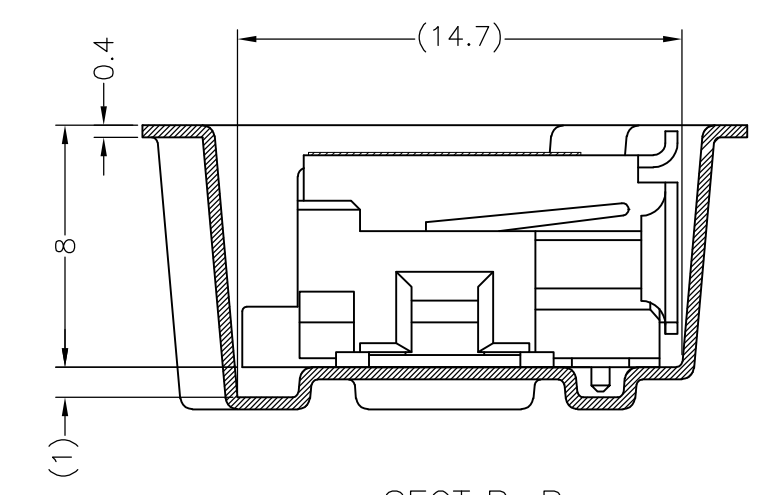
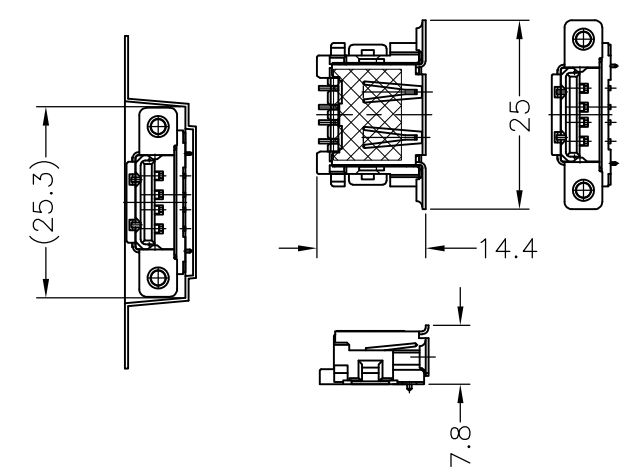
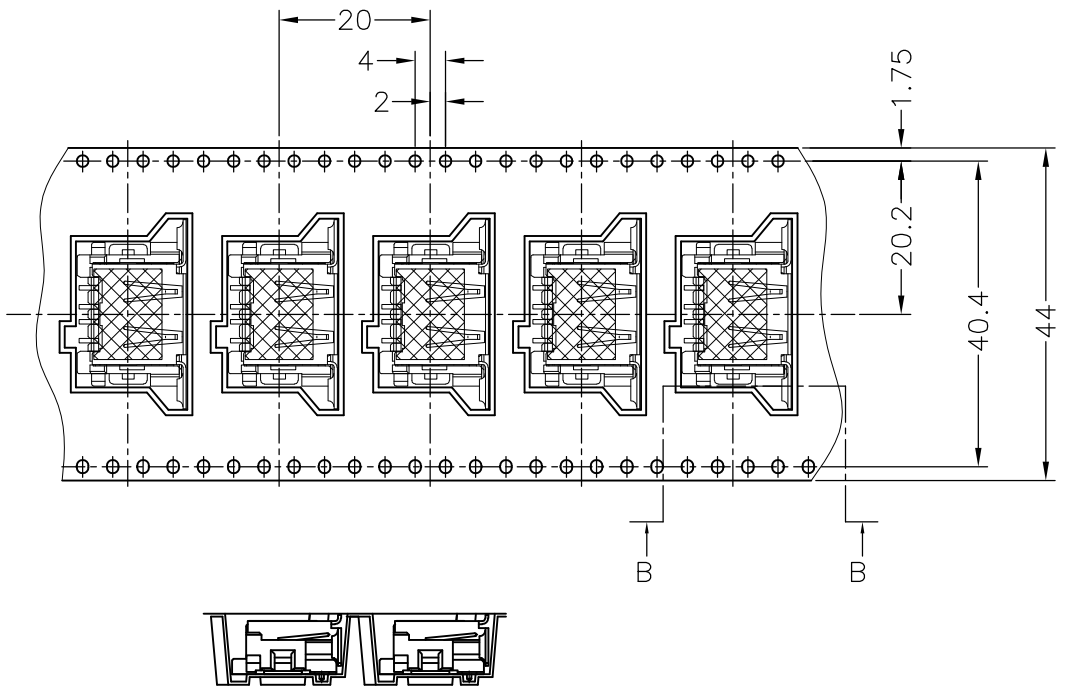
353929-3,4

THIS DRAWING IS A CONTROLLED DOCUMENT.		DWN	Tyco Electronics AMP K.K. Kawasaki, Japan	
DIMENSIONS: 単位: 耗 MM		CHK		
TOLERANCES UNLESS OTHERWISE SPECIFIED: 一般公差		APVD	NAME 名称	
0 PLC ± ±0.3 1 PLC ± 2 PLC ± 3 PLC ± 4 PLC ± ANGLES ± ±5°		PRODUCT SPEC 製品規格	EMBOSS ASSY STD TYPE USB CONN. REC. WITH COVER TYPE	
MATERIAL 材料		FINISH 仕上	APPLICATION SPEC 取付適用規格	RESTRICTED TO
		WEIGHT	SIZE A3	CAGE CODE 00779
		CUSTOMER DRAWING	DRAWING NO 番号 353929	SCALE 尺度 1:1
				SHEET 2 OF 3
				REV C1

THIS DRAWING IS UNPUBLISHED. RELEASED FOR PUBLICATION
 © COPYRIGHT - BY TYCO ELECTRONICS CORPORATION. ALL RIGHTS RESERVED.

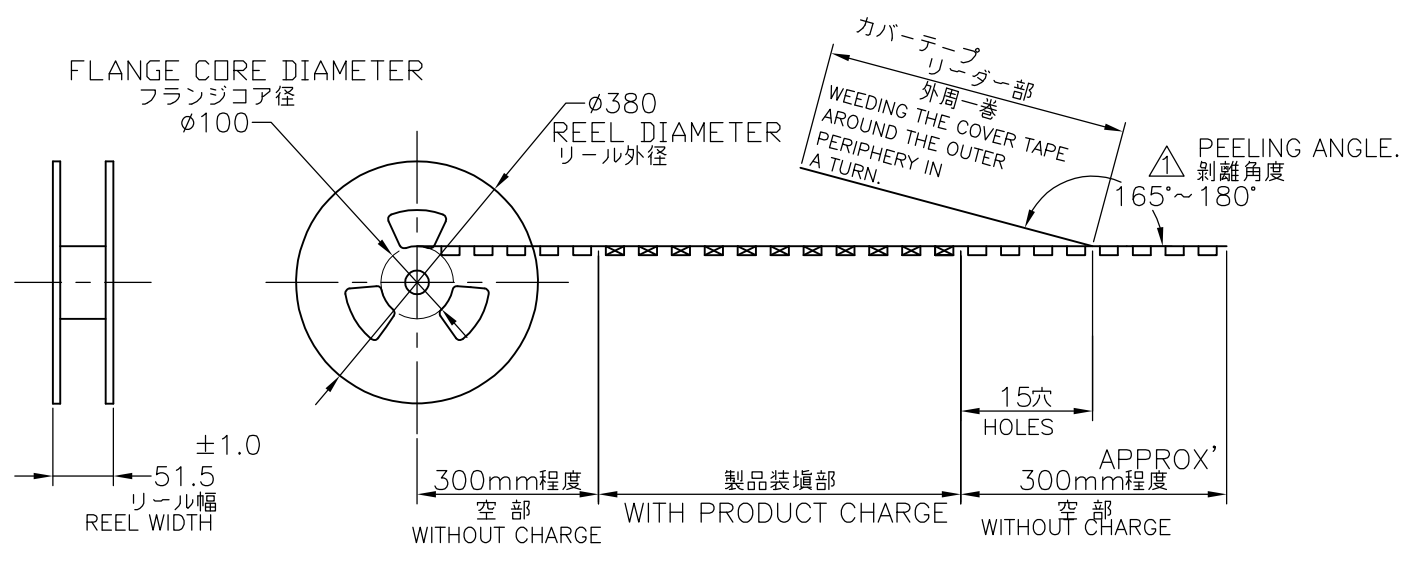
LOC	DIST	REVISIONS					
J		P	LTR	DESCRIPTION	DATE	DWN	APVD

リール引き出し方向
 DIRECTION OFF TOP OF REEL



CONNECTOR DETAIL

SECT B-B
(4:1)



353929-5,6

THIS DRAWING IS A CONTROLLED DOCUMENT.		DWN	Tyco Electronics AMP K.K. Kawasaki, Japan				
DIMENSIONS: 単位: 耗 MM		CHK					
TOLERANCES UNLESS OTHERWISE SPECIFIED: 一般公差		APVD	NAME 名称				
0 PLC ± ±0.3 1 PLC ± 2 PLC ± 3 PLC ± 4 PLC ± ANGLES ± ±5°		PRODUCT SPEC 製品規格	EMBOSS ASSY STD TYPE USB CONN. REC. WITH COVER TYPE				
MATERIAL 材料		FINISH 仕上	APPLICATION SPEC 取付適用規格	SIZE	CAGE CODE	DRAWING NO 番号	RESTRICTED TO
			WEIGHT	A3	00779	G-353929	-
CUSTOMER DRAWING			SCALE 尺度	1:1	SHEET	3 OF 3	REV C1