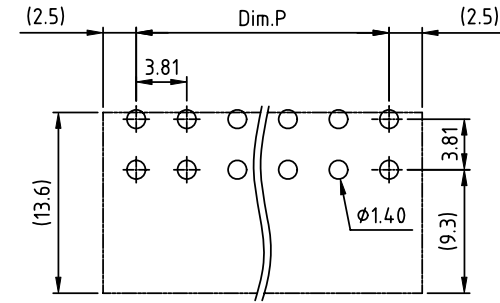
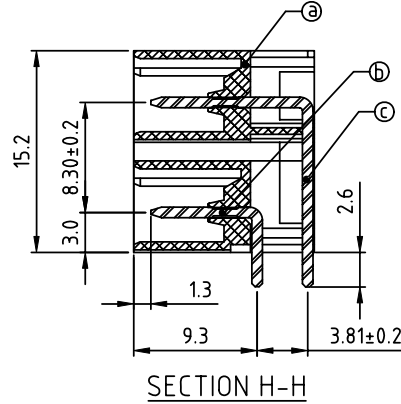
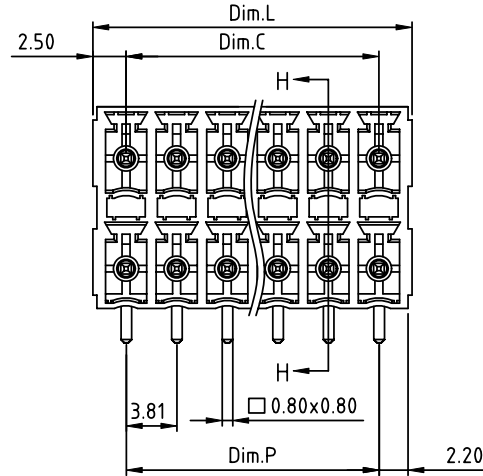
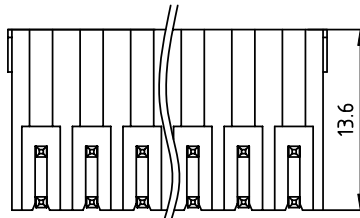


PRODUCT NUMBER	PITCH
KExx31x1A0J0G	3.81 mm



RECOMMENDED P.C.B LAYOUT  
TOP VIEW



Material:

- Item a Terminal housing: Thermoplastic (UL94V-0)
- Item b Short pin: Copper Tin plated
- Item c Long pin: Copper Tin plated

Electrical:

- Voltage rating: 300V
- Current rating: 5.5A
- Withstanding Voltage: 1.6KV
- Operating temperature: -40°C to +115°C
- Soldering temperature: 260°C ±5°C/5 Sec
- Safety Approval: cULus

DIMENSION

Dim.L	(N/2-1) × 3.81+5.0
Dim.P	(N/2-1) × 3.81
Dim.C	(N/2-1) × 3.81

N=Number of poles

poles	Dim.L	Dim.P	Dim.C
2×2P-2×5P	±0.20	±0.15	±0.15
2×6P-2×16P	±0.30	±0.25	±0.25
2×17P-2×24P	±0.40	±0.30	±0.30

PART NO.: KE xx 3 1 x 1 A0J0 G

Solid block	0	Black (RAL9005)	RoHS compliant (lead<4%) In copper Alloy
No. of poles	2	Red (RAL3001/D)	
04 2x2poles	3	Orange(RAL2011/P)	
06 2x3poles	4	Yellow(RAL1018/A)	
...	5	Green(RAL6018/T)	
48 2x24poles	6	Blue (RAL5015/A)	
	8	Grey(RAL7035/D)	
	9	White(RAL1102)	
	C	Green(RAL6018/U)	

mat'l. code		surface ASME Y14.5	tolerance ASME Y14.5	projection	product family TERMINAL BLOCK
ltr	ecn no	dr	date	tolerances unless otherwise specified	title TERMINAL BLOCK
				angles X°±1°	PLUGGABLE SOCKET,CLOSE RIGHT ANGLE
				scale	dwg no KExx31x1A0J0G
		dr	EVIN ZHONG	042414	sheet 1 of 1 size A4
		enr	EVIN ZHONG	042414	FCI
		chr	HANKE FENG	042414	type CUSTOMER Drawing
		appd	SHI JUN	042414	
sheet index	revision	A			
	sheet	1			