

**MATERIAL (INSULATOR / CONTACT)**  
(SEE MATERIAL TABLE)

**PLATING**  
ALL PLATINGS HAVE .000050" MIN NICKEL UNDERPLATE

CONTACT SURFACE	TERMINATION
B = .000010" GOLD	.000100" PURE TIN, MATTE
C = .000030" GOLD	.000100" PURE TIN, MATTE
G = .000010" GOLD	.000005" GOLD
E = .000100" PURE TIN, MATTE OVERALL	
S = .000010" GOLD OVERALL	
M = .000030" GOLD	.000010" GOLD OVERALL

**PART NUMBER CODING**

**MODIFICATION**  
M30 = SURFACE MOUNT  
M508 = SAME AS M30 WITH BROWN PPS  
(MATERIAL CODE 'A' ONLY)

**TERMINATION TYPE**

**NUMBER OF POSITIONS PER ROW**  
(01 THRU 36)

**MATERIAL TABLE**

LETTER CODE	INSULATOR / CONTACT	OPERATING TEMP.	PROCESSING TEMP.	MODIFICATION NUMBER
G	BLACK PA9T / PHOSPHOR BRONZE	-65°C TO +150°C	260°C MAX FOR 10 SECS	M30
L	WHITE PA9T / PHOSPHOR BRONZE	-65°C TO +150°C	260°C MAX FOR 10 SECS	M30
*A	GREEN PPS / BERYLLIUM COPPER	-65°C TO +200°C	260°C MAX FOR 20 SECS	M30
*A	BROWN PPS / BERYLLIUM COPPER	-65°C TO +200°C	260°C MAX FOR 20 SECS	M508
*Y	TAN PEEK / BERYLLIUM COPPER	-65°C TO +250°C	260°C MAX FOR 20 SECS	M30

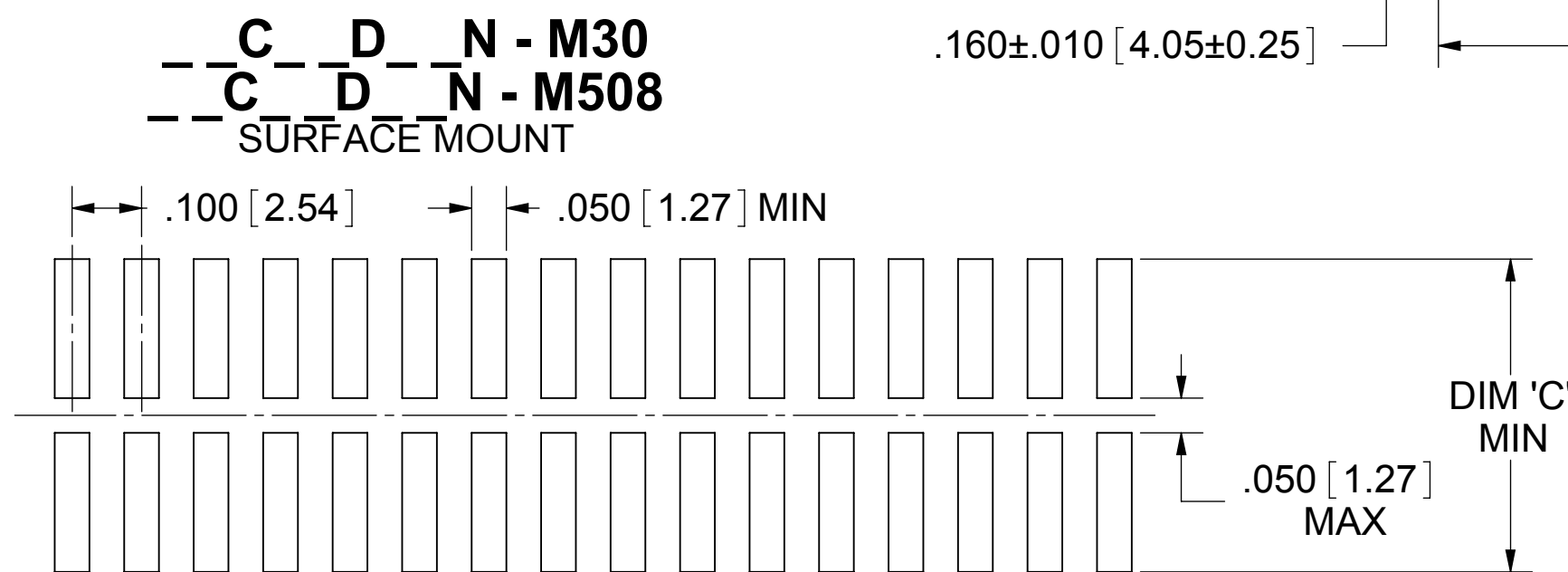
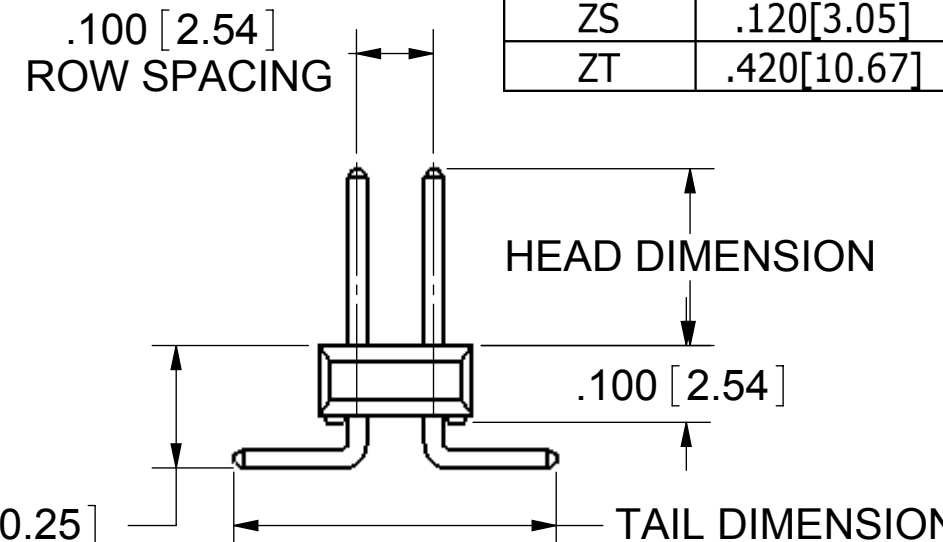
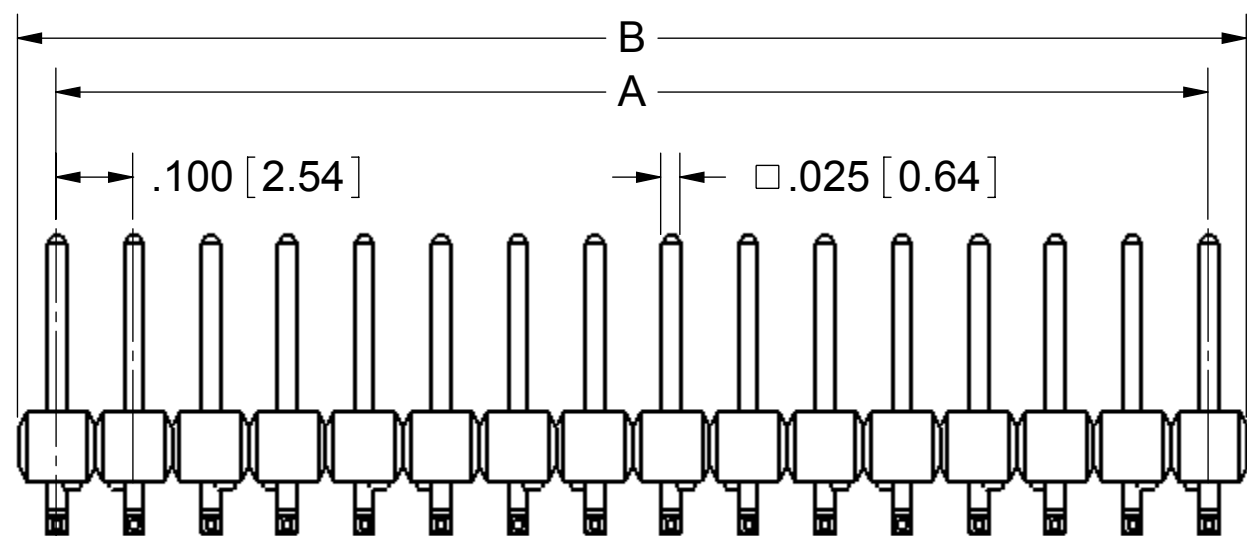
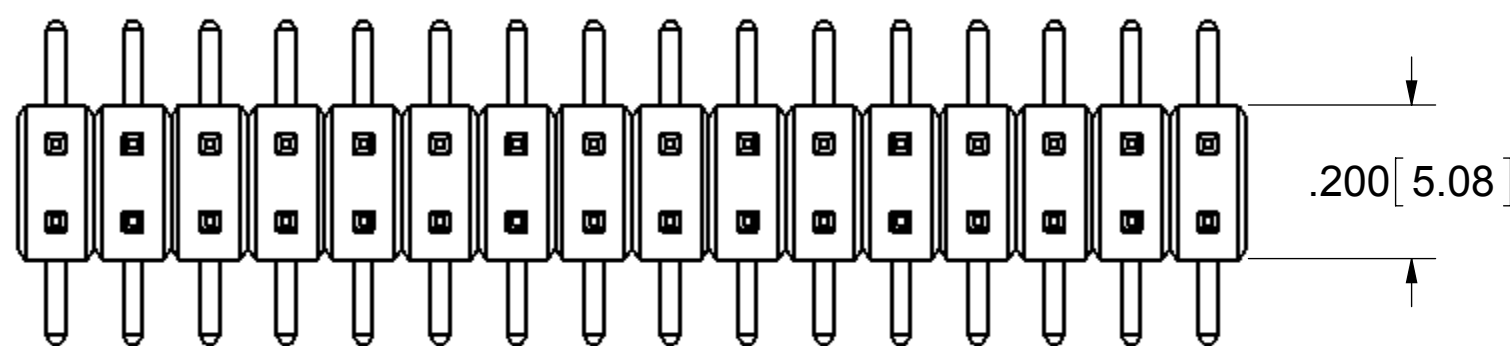
\* AVAILABLE WITH OVERALL GOLD PLATING ('M') ONLY

REVISIONS				
REV.	ECO. NO.	DESCRIPTION	DATE	BY
D	1694	ADDING TOLERANCE	5/16/2008	IA
E	2078	UPDATE TEMPERATURE TO 150°C ON NOTE 4, COMBINE / TABULATE TERMINATION TYPE AB, FB (DWG 10583 OBSOLETE), ADD TERMINATION TYPE ZS, ZT, TABULATE PCB LAYOUT DIM 'C' FOR AB, FB, ZS, ZT	11/12/2009	JH
F	2442	UPDATE PROCESSING TIME, VOLTAGE RATING, REMOVE MOISTURE NOTE	2/9/2012	JH
G	2743	ADD PLATING OPTIONS, UPDATE BODY SHAPE, ADD HIGH TEMP MATERIALS	1/28/2014	JHSU

PART NUMBER	A		B	
	INCH	MM	INCH	MM
	±.008	±0.20	±.020	±0.51
C01D_N-M	0.000	0.00	0.100	2.54
C02D_N-M	0.100	2.54	0.200	5.08
C03D_N-M	0.200	5.08	0.300	7.62
C04D_N-M	0.300	7.62	0.400	10.16
C05D_N-M	0.400	10.16	0.500	12.70
C06D_N-M	0.500	12.70	0.600	15.24
C07D_N-M	0.600	15.24	0.700	17.78
C08D_N-M	0.700	17.78	0.800	20.32
C09D_N-M	0.800	20.32	0.900	22.86
C10D_N-M	0.900	22.86	1.000	25.40
C11D_N-M	1.000	25.40	1.100	27.94
C12D_N-M	1.100	27.94	1.200	30.48
C13D_N-M	1.200	30.48	1.300	33.02
C14D_N-M	1.300	33.02	1.400	35.56
C15D_N-M	1.400	35.56	1.500	38.10
C16D_N-M	1.500	38.10	1.600	40.64
C17D_N-M	1.600	40.64	1.700	43.18
C18D_N-M	1.700	43.18	1.800	45.72
C19D_N-M	1.800	45.72	1.900	48.26
C20D_N-M	1.900	48.26	2.000	50.80
C21D_N-M	2.000	50.80	2.100	53.34
C22D_N-M	2.100	53.34	2.200	55.88
C23D_N-M	2.200	55.88	2.300	58.42
C24D_N-M	2.300	58.42	2.400	60.96
C25D_N-M	2.400	60.96	2.500	63.50
C26D_N-M	2.500	63.50	2.600	66.04
C27D_N-M	2.600	66.04	2.700	68.58
C28D_N-M	2.700	68.58	2.800	71.12
C29D_N-M	2.800	71.12	2.900	73.66
C30D_N-M	2.900	73.66	3.000	76.20
C31D_N-M	3.000	76.20	3.100	78.74
C32D_N-M	3.100	78.74	3.200	81.28
C33D_N-M	3.200	81.28	3.300	83.82
C34D_N-M	3.300	83.82	3.400	86.36
C35D_N-M	3.400	86.36	3.500	88.90
C36D_N-M	3.500	88.90	3.600	91.44

TERMINATION TYPE SURFACE MOUNT		
CODE	HEAD DIMENSION ±.008[0.20]	TAIL DIMENSION ±.025[0.64]
AB	.230[5.84]	.420[10.67]
FB	.318[8.08]	.400[10.16]
ZS	.120[3.05]	.300[7.62]
ZT	.420[10.67]	.300[7.62]

TERMINATION TYPE	DIM 'C' (MIN)
AB	.450 [11.43]
FB	.430 [10.92]
ZS	.330 [8.38]
ZT	.330 [8.38]



RECOMMENDED PCB LAYOUT

- NOTES:
- INSULATOR MATERIAL: SEE PART NUMBER CODING
  - CONTACT MATERIAL: SEE PART NUMBER CODING
  - PLATING: SEE PART NUMBER CODING
  - UL FLAMMABILITY RATING: 94V-0
  - DIELECTRIC WITHSTANDING VOLTAGE: 1800 VAC
  - CURRENT RATING: 3 AMPS
  - CONTACT RESISTANCE: 30 MILLIOHMS MAX.
  - INSULATION RESISTANCE: 5000 MEGOHMS MIN.
  - MODIFICATION: SEE PART NUMBER CODING



UNLESS OTHERWISE SPECIFIED: DIMENSIONS ARE IN INCHES [MM]

TOLERANCES:  
ANGULAR: ± 1°  
DECIMALS  
.XX = ± .02 [0.5]  
.XXX = ± .005 [0.13]  
.XXXX = ± .0005 [0.013]

DRAWN	DATE	NAME
	9/8/2011	JH
THE INFORMATION HEREIN CONTAINS PROPRIETARY INFORMATION OF SULLINS ELECTRONICS AND IS NOT TO BE REPRODUCED, USED OR DISCLOSED TO OTHERS FOR ANY PURPOSE EXCEPT AS SPECIFICALLY AUTHORIZED IN WRITING BY AN OFFICER OF SULLINS ELECTRONICS.		
TITLE HEADER .100" CC		
PART NUMBER C_D_N-M30, M508		
SIZE	CAGE CODE	DWG. NO.
C	54453	C10059
SCALE: 5:1		SHEET 1 OF 1

**CUSTOMER COPY**



TITLE HEADER .100" CC	
PART NUMBER C_D_N-M30, M508	
SIZE	CAGE CODE
C	54453
DWG. NO.	REV
C10059	G
SCALE: 5:1	
SHEET 1 OF 1	