

PART No. AP2424PP

for more information visit

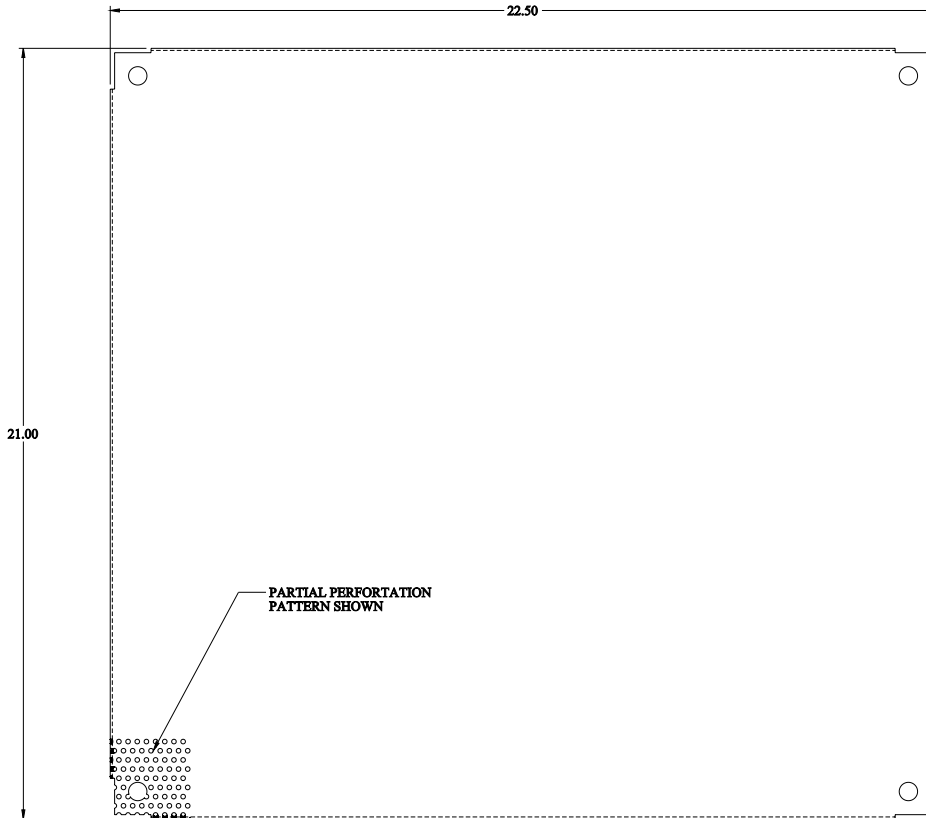
www.hammfg.com

Data subject to change without notice

Isometric drawing Not to Scale

TOP VIEW

22.50



21.00

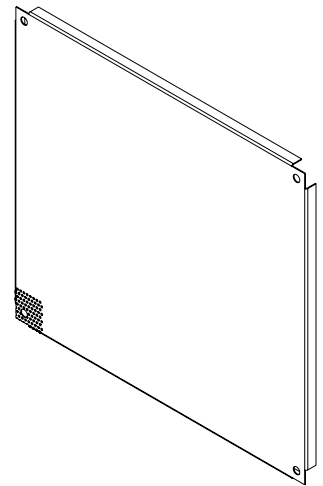
PARTIAL PERFORATION
PATTERN SHOWN

FRONT VIEW



.75 TYP

SIDE VIEW



ISOMETRIC VIEW