

DO NOT SCALE DRAWING DIMENSION IN METRIC

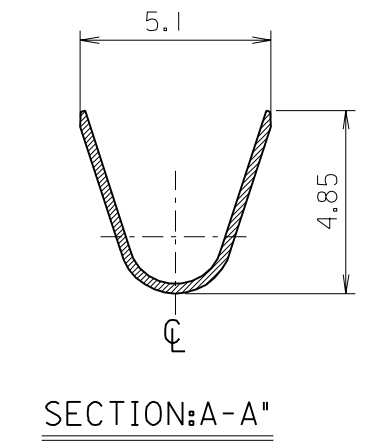
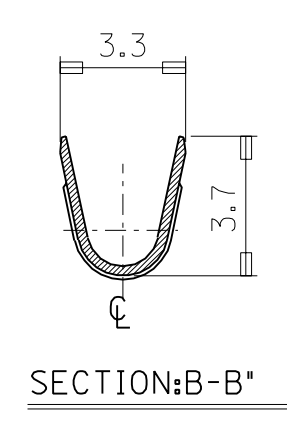
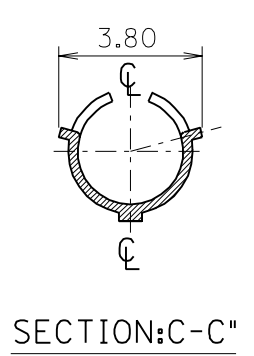
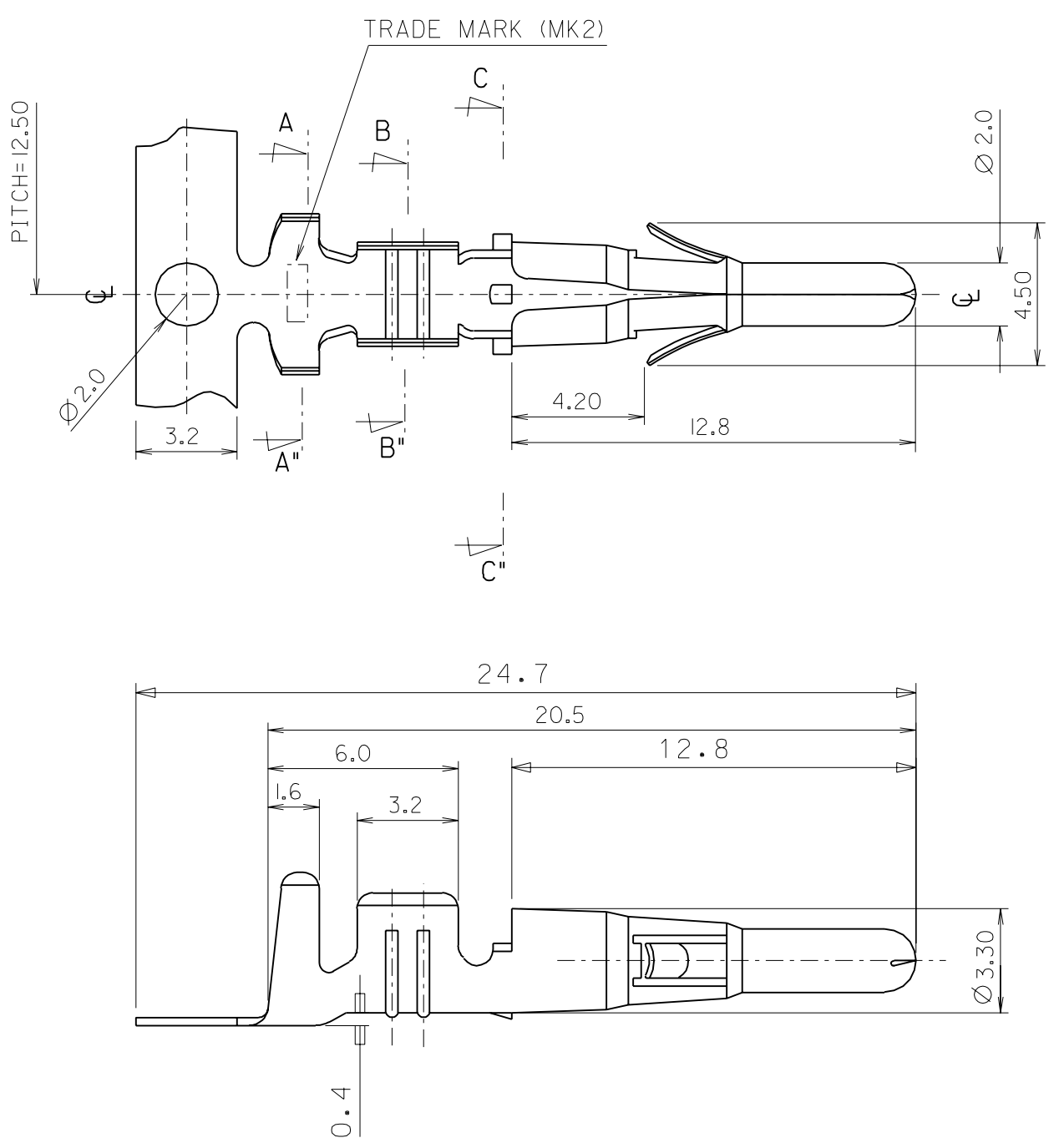
DWG. NO. SD-35727-001

SIMILAR ITEM

PROJECT NO.

C

B



- NOTES**
1. MATERIAL: BRASS THICKNESS:0.25
 2. FINISH: PRE-TIN PLATING
 3. APPLICABLE HOUSING: Ø2.0 RECEPTACLE HOUSING
(35141-**01, 35142-**01) * MEANS CIRCUIT NO.
 4. MATING TERMINAL: Ø2.0 SOCKET TERMINAL 35728-0201
 5. APPLICABLE WIRE RANGE: AWG #20-#14, 1.9-3.4mm INSUL.DIA.

MATERIAL NO.	ENG. NO.
357270201	35727-0201

REVISED EC NO. KOR 1999-0120 DRWN: H.C.RHO 99/12/29 CH'K: APPR:	DESCRIPTION MAJOR = 3 CRITICAL = 1	GENERAL TOLERANCES: (UNLESS SPECIFIED)		SCALE 5:1	DESIGN UNITS <input checked="" type="checkbox"/> mm <input type="checkbox"/> INCH	THIRD ANGLE PROJECTION	DIMENSIONS: <input type="checkbox"/> mm <input type="checkbox"/> INCH <input checked="" type="checkbox"/> mm ONLY	SHT REV	
		4 PLACES ±0. ±.	DRAWN BY & DATE W.Y.YANG 92/03/04	TITLE: 2.0 DIA PIN TERMINAL					
		3 PLACES ±0. ±.	CHECKED BY & DATE B.K.CHOI 92/03/04						
		2 PLACES ±0.25 ±.	APPROVED BY & DATE C.W.LEE 92/03/04	MOLEX INCORPORATED KOREA					
1 PLACE ±0.25 ±.	CAD FILENAME E7270201.DGN	MATERIAL NO. SEE CHART	DRAWING NO. SD-35727-001				SHEET NO. 10F1		
REV	C	DRAFT WHERE APPLICABLE MUST REMAIN WITHIN DIMENSIONS						THIS DRAWING CONTAINS INFORMATION THAT IS PROPRIETARY TO MOLEX INCORPORATED AND SHOULD NOT BE USED WITHOUT WRITTEN PERMISSION.	SIZE B