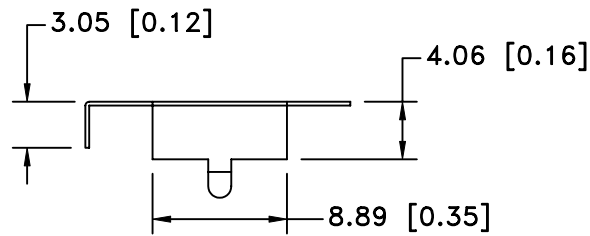
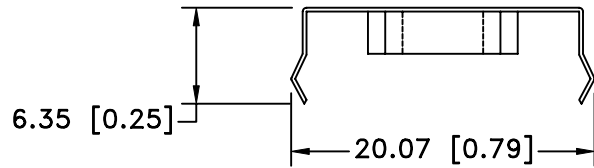
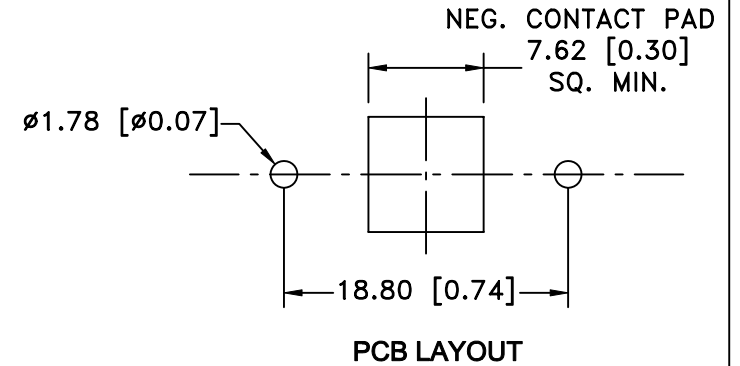
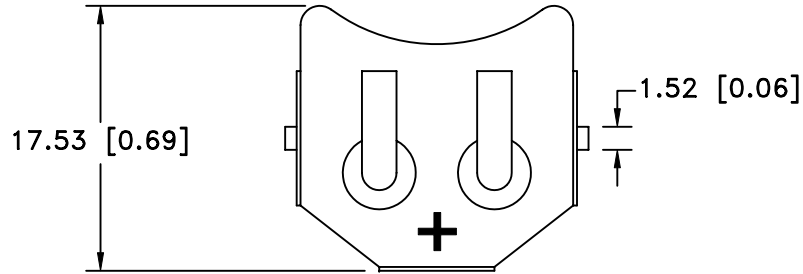



Date	SYM	REVISION RECORD	AUTH	DR.	CK.
11/06/03	A	ADDED BATTERY NUMBERS	T.B.	B.S.	



NOTES:

- MATERIAL:**
0.25mm PHOSPHOR BRONZE, NICKLE PLTD.

Tolerance (Except as noted)		 Memory Protection Devices, Inc 200 Broad Hollow Road, Farmingdale, New York 11735
decimal ±.5 (.020)	Scale	
Fractional ± .8 (.030)	Title 16mm PC PIN RETAINER	
Angular ± 3°	Date 11/06/03	Drawing Number BK-869
CELL SIZE 16mm		RETAINS BATTERY NUMBERS CR1616, CR1620, CR1632
		Drawn By B.S. Approved By T.B.