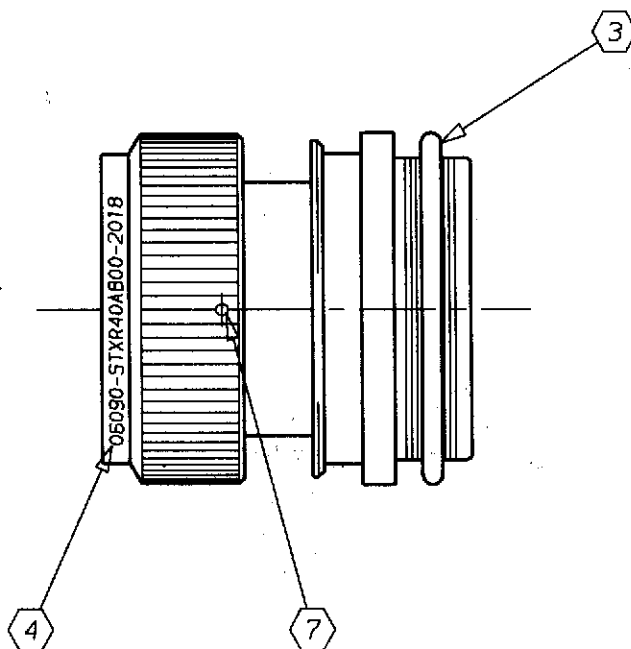


ISSUE	DESCRIPTION	DRAWN	DATE	APPR
A1	REVISED PER ECO-11-005139	RK	24MAR11	HMR



CODE 40 STXR TINEL-LOCK ADAPTORS

NOTES

1. THIS PRODUCT IS DESIGNED TO TERMINATE A BRAIDED CABLE SHIELD AND A HEAT SHRINKABLE LIPPED BOOT TO A CONNECTOR - SEE NOTE 6.
2. SEE SHEET 2 FOR TABLES OF DIMENSIONS, AND SHEET 3 FOR PART NUMBERING SYSTEM AND ORDERING INFORMATION.
- ③ SEE DRAWING TR FOR DETAIL ON TINEL-LOCK RING. RINGS ARE DESIGNED TO BE HEATED ELECTRICALLY. ALL RINGS ARE MARKED WITH THERMOCHROMIC PAINT WHICH CHANGES COLOUR WHEN INSTALLATION TEMPERATURE IS REACHED.
- ④ ADAPTOR TO BE PERMANENTLY MARKED WITH CODE IDENTIFICATION NUMBER AND PART NUMBER LESS RING DESIGNATOR. (e.g. 06090-STXR40AB00-2018). RING SHALL BEAR NO MARKING.
- ⑤ TINEL-LOCK RING ENTRY SIZE AND BRAID DESIGNATOR IS TO BE SPECIFIED IN PART NUMBER WHEN ORDERING.
- ⑥ ADAPTOR MATES TO: MIL-C-38999 SERIES III AND IV, CLASS C, F, K AND W, D38999/20, /24, /26, /40, /46 AND /47 CONNECTORS. WHEN SO MATED IT SHALL PROVIDE A WATER-TIGHT SEAL MEETING THE REQUIREMENTS OF MIL-C-85049, PARA 3.5.7.
- ⑦ ACCESSORY NUT HAS THREE LOCK-WIRE HOLES 120° APART.
8. FOR MODIFICATIONS OR ALTERNATIVE MATERIALS AND FINISHES NOT SHOWN CONTACT RAYCHEM.

SPECIFICATION CONTROL DRAWING

STE TE Connectivity

DO NOT SCALE
THIS DRAWING

TITLE

TINEL-LOCK ADAPTOR - "S" MOD.

DRAWN	IRT	DATE
		NOV 95

CHECKED	KJW	DATE
		NOV 95

APPROVED	KJW	DATE
		NOV 95

CODE IDENT NO	06090
---------------	-------

DRAWING NUMBER

STXR 40

ISSUE

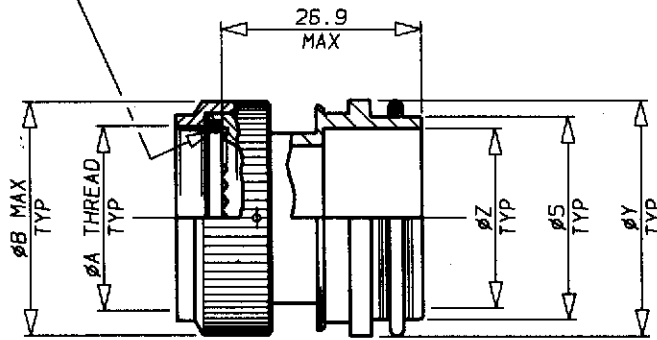
A1

SHEET 1 OF 3

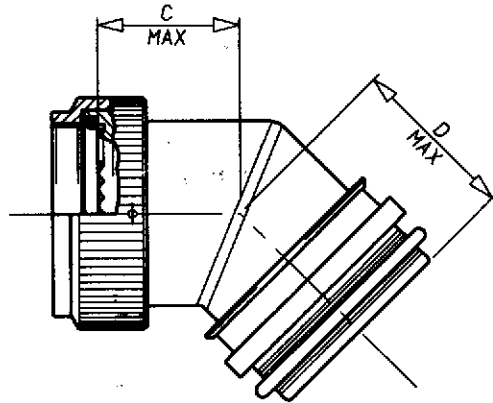
STXR40SCD-1

ISSUE	DESCRIPTION	DRAWN	DATE	APPR
A1	REVISED PER ECO-11-005139	RK	24MAR11	HMR

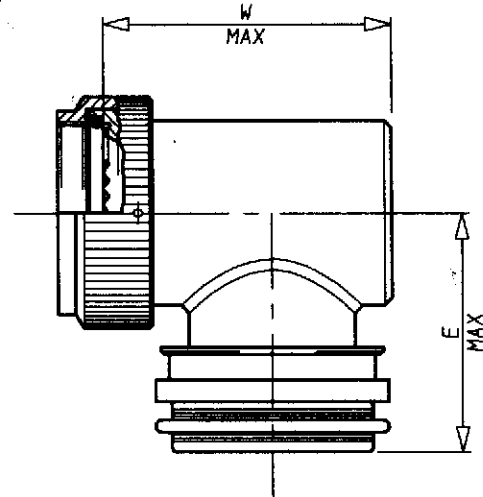
O RING - SILICONE TYP



STRAIGHT ADAPTOR



45° ADAPTOR



90° ADAPTOR

TABLE I

ORDER NUMBER	SHELL SIZE $\text{\textcircled{6}}$		ENTRY SIZE $\text{\textcircled{5}}$		ϕ A THREAD RH METRIC CLASS 6H	ϕ B MAX	C MAX	D MAX	E MAX
	COM	MIL	MIN	MAX					
08	9	A	05	24	M12 x 1.0	19.1	20.8	22.6	27.9
10	11	B	08	24	M15 x 1.0	21.6	21.3	23.4	30.5
12	13	C	09	24	M18 x 1.0	25.4	22.1	24.1	32.0
14	15	D	12	24	M22 x 1.0	29.2	22.6	24.1	34.0
16	17	E	14	24	M25 x 1.0	31.8	23.4	24.9	35.5
18	19	F	16	24	M28 x 1.0	35.6	24.1	25.7	36.8
20	21	G	18	24	M31 x 1.0	38.1	24.6	26.4	38.4
22	23	H	20	24	M34 x 1.0	41.9	25.1	27.2	39.9
24	25	J	22	24	M37 x 1.0	44.5	25.9	27.2	42.4

TABLE II

ENTRY SIZE	ϕ Z +0.25 -0.50	ϕ S	ϕ Y ± 0.38	W MAX
06	9.52	12.57/12.73	17.14	34.3
07	11.09	14.12/14.31	18.71	36.1
08	12.70	15.72/15.91	20.32	37.6
10	15.87	18.84/19.11	23.49	40.6
12	19.05	22.02/22.28	26.67	43.9
14	22.23	25.17/25.46	29.84	47.0
16	25.40	28.34/28.63	33.02	50.8
18	28.57	31.52/31.81	36.19	54.1
20	31.75	34.69/34.98	39.37	57.2
22	34.93	37.79/38.15	42.55	57.2
24	38.10	40.97/41.33	45.72	57.2

SPECIFICATION CONTROL DRAWING



TE Connectivity

DO NOT SCALE THIS DRAWING

TITLE

TINEL-LOCK ADAPTOR - "S" MOD.

DRAWN	IRT	DATE NOV 95
CHECKED	KJW	NOV 95
APPROVED	KJW	NOV 95
CODE IDENT NO	06090	

DRAWING NUMBER
STXR 40

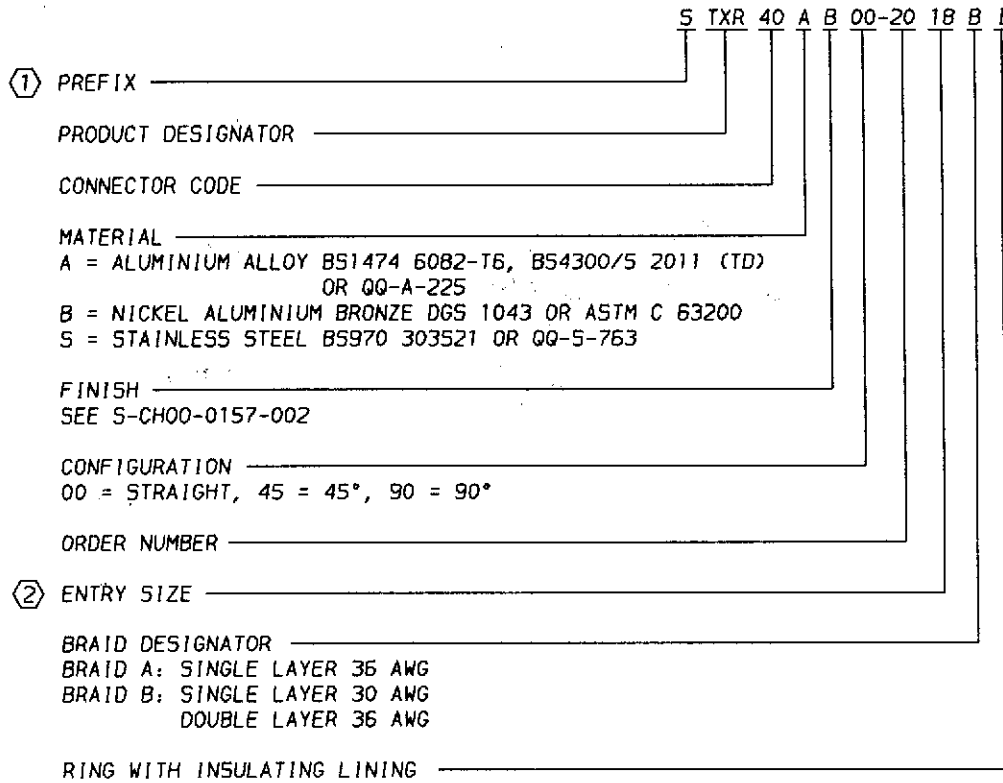
ISSUE
A1

SHEET 2 OF 3

STXR40SCD-2

ISSUE	DESCRIPTION	DRAWN	DATE	APPR
A1	REVISED PER ECO-11-005139	RK	24MAR11	HMR

PART NUMBERING SYSTEM



NOTE

- ① PREFIX S DENOTES THAT THE ADAPTOR HAS A LARGER ENTRY SIZE THAN THE STANDARD TXR RANGE BUT IS STILL OF THE TYPE I DESIGN.
- ② SEE SHEET 2 FOR TABLE OF ENTRY SIZES APPLICABLE TO THE STXR RANGE.

SPECIFICATION CONTROL DRAWING



DO NOT SCALE
THIS DRAWING

TITLE
TINEL-LOCK ADAPTOR - "S" MOD.

DRAWN	IRT	DATE
		NOV 95
CHECKED	KJW	NOV 95
APPROVED	KJW	NOV 95
CODE IDENT NO	06090	

DRAWING NUMBER
STXR 40

ISSUE
A1

SHEET 3 OF 3

STXR40SCD-3