

Surface Mount Type

Series: EP(Thin Type)

Discontinued

■ Features

- The industry minimum size 1.0 mm in height
- Reflow soldering method available (260 ° C)
- RoHS directive compliant



■ Recommended Applications

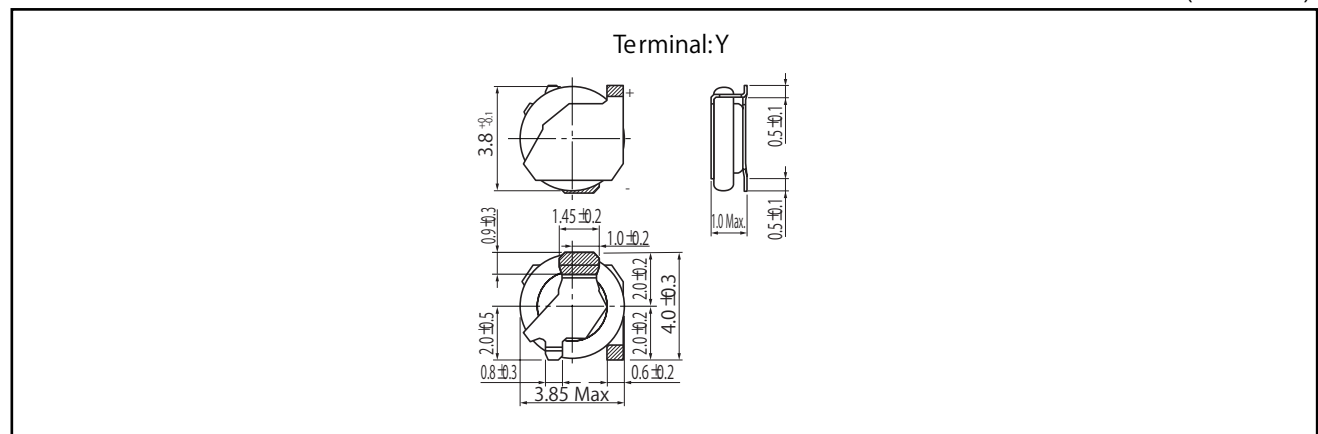
- RTC back-up in thin and light devices such as mobile phones, smart phones and tablet PC

■ Specifications

Category Temp. Range	-10 °C to +60 °C		
Maximum Operating Voltage	3.3 V DC		
Nominal capacitance	0.03 F		
Stability at Low and High Temperature		Lower category temp. (-10 ° C)	Upper category temp. (+60 ° C)
	Capacitance change	±30 % of initial measured value at 20 ° C	±30 % of initial measured value at 20 ° C
	Internal resistance	<10 times of initial measured value at 20 ° C	350 Ω or less
Endurance	After 250 hours application of 3.3 V at +60 ° C		
	Capacitance change	±30 % of initial measured value at 20 ° C	
	Internal resistance	4 kΩ or less	
Shelf Life	After 500 hours storage at +60 ° C without load (voltage)		
	Capacitance change	±30 % of initial measured value at 20 ° C	
	Internal resistance	1 kΩ or less	

■ Dimensions in mm(not to scale)

(Unit : mm)



■ Standard Products

Maximum Operating Voltage (V.DC)	Capacitance (F)	Capacitance tolerance	Internal resistance (Initial specified value) (Ω) at 1 kHz	Maximum discharging current (μA)	Part number	Mass (g)	Min. Packaging Q'ty (pcs)
3.3	0.03	-20% to +80%	<350	5	EECEP0F303Y	0.06	5000

The re-flow condition / taping dimensions are explained on EE210, EE211 of our catalog.

Note : 1. Do not use reflow soldering when cell voltage is above 0.3 V.

2. When the capacitor is being used in a high temperature and high humidity environment for a long period, and will not affect any electrical characteristics of the capacitor.

3: EP series is a small capacitor that developed for the RTC backup of cellular phone. Therefore, there is a possibility that it will not be able to back up in short term depend on using condition. Please contact us before you use it