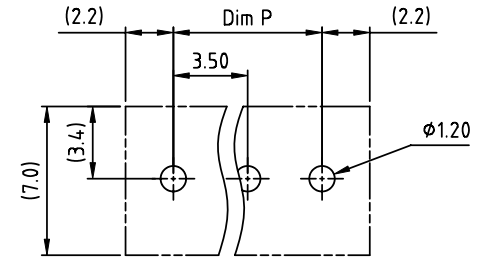
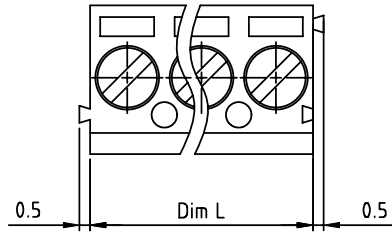
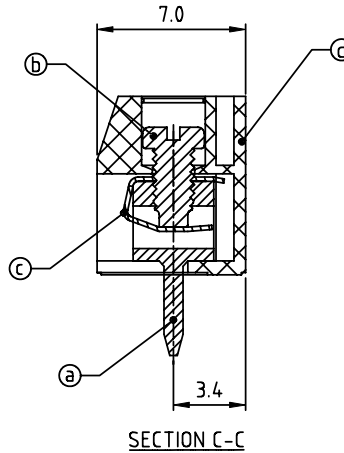
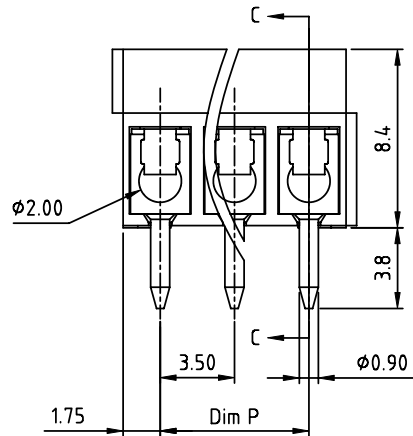


PRODUCT NUMBER	PITCH
TExx01x100J0G	3.50



RECOMMENDED P.C.B LAYOUT
TOP VIEW



SECTION C-C

Material:

- Item ① Terminal body(metal housing): Brass(CuZn),Tin plated
- Item ② Terminal screw: Steel Zinc plating "-" slot type
- Item ③ Wire guard :stainless steel
- Item ④ Insulator (housing): Thermoplastic (UL94V-0)

Electrical cULus / CSA

- Voltage rating: 125V / 125V
- Current rating: 10A / 10A
- Wire range:
- Solid wire(AWG): 16-26 / 16-26
- Stranded wire(AWG): 16-26 / 16-26
- Torque: 1.7Lb-In / 4kfg.cm
- Screw: M2
- Wire strip length: 5-6mm
- Withstanding Voltage: 1.25KV
- Operating temperature: -40°C to +115°C
- Soldering temperature: 260°C±5°C/5 Sec
- Safety Approval:

PART NO.: TE xx 0 1 x 1 00J0 G

N = Number of poles
Dim L=Nx3.5
Dim P=(N-1)x3.5

Poles	Dim L	Dim P
2-6p	±0.15	±0.10
7-12p	±0.20	±0.20
13-18p	±0.30	±0.25
19-24p	±0.35	±0.30

	End stackable	Body Color	RoHS compliant
No. of poles	0	Black (RAL9005)	(lead<4%) In copper Alloy
02	2 poles	Red (RAL3001/D)	
03	3 poles	Orange(RAL2011/P)	
...	...	4 Yellow(RAL1018/A)	
24	24 poles	5 Green(RAL6018/T)	
		6 Blue (RAL5015/A)	
		8 Grey(RAL7035/D)	
		9 White(RAL1102)	
		C Green(RAL6018/U)	

mat'l. code				surface ASME Y14.5		tolerance ASME Y14.5		projection		product family	
ltr ecn no dr date				tolerances unless otherwise specified		X.±0.5				TERMINAL BLOCK	
				angles		X.X±0.3		MM		title	
				X*±1*		X.XX±0.1		scale		TERMINAL BLOCK	
				dr		EVIN ZHONG 033114				WIRE PROTECTOR,180D WIRE INLET	
				engr		EVIN ZHONG 033114				dwg no	
				chr		HANKE FENG 033114				sheet 1 of 1	
				appd		SHI JUN 033114				size	
										A4	
sheet index				revision sheet		A 1				type	
										CUSTOMER Drawing	