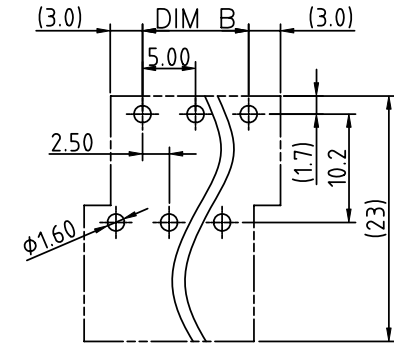
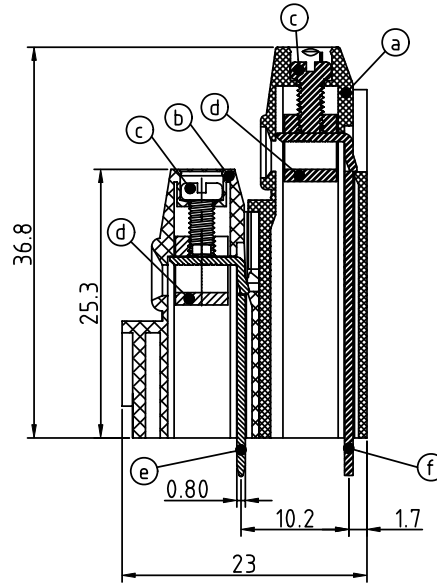
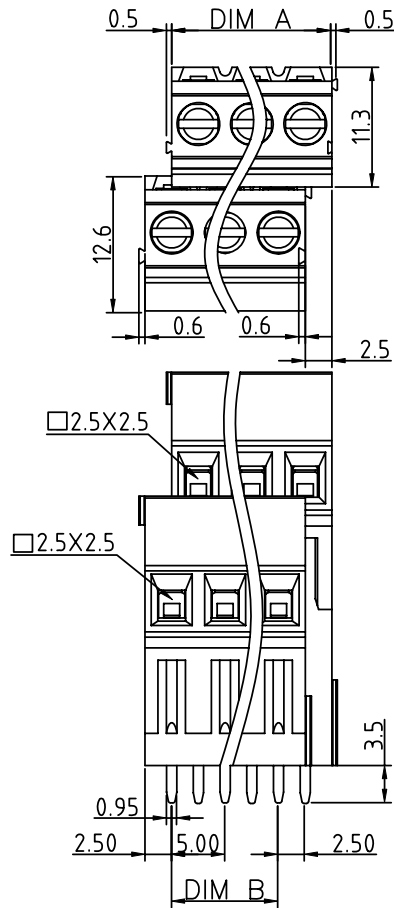


PRODUCT NUMBER	PITCH
YMxx01x000J0G	5.00 mm



RECOMMENDED P.C.B LAYOUT
TOP VIEW

Material:

- Item a Terminal housing :Thermoplastic (UL 94V-0) (YF5.0)
- Item b Terminal housing :Thermoplastic (UL 94V-0) (YE5.0)
- Item c Terminal screw: Steel Zinc plating"-slot type
- Item d Clamp: Brass, Ni plated
- Item e Solder pin1: Brass, Tin plated (YE)
- Item f Solder pin2: Brass, Tin plated (YF)

Electrical cULus

- Voltage rating: 300VAC
- Current rating: 10A
- Wire range:
- Solid wire(AWG): 12-24
- Stranded wire(AWG): 12-24
- Torque(Lb-In): 3.5
- Screw: M2.5
- Wire strip length: 6-7mm
- Withstanding Voltage: 1.6KV
- Operating temperature: -40°C to +115°C
- Soldering temperature: 260°C±5°C/5 Sec
- Safety Approval:

DIMENSION

Dim A	N/2x5.0
Dim B	(N/2-1)x5.0

N=Number of poles

Poles	Tolerance
2x2p~2x8p	±0.15
2x9p~2x14p	±0.25
2x15p~2x20p	±0.35
2x21p~2x24p	±0.40

PART NO.: YM xx 0 1 x 0 00J0 G

	Color	RoHS compliant
End stackable	0 Black (RAL9005)	(lead<4%)
No. of poles	2 Red (RAL3001/D)	In copper Alloy
04 2x2 poles	3 Orange(RAL2011/P)	
06 2x3 poles	4 Yellow(RAL1018/A)	
...	5 Green(RAL6018/T)	
48 2x24 poles	6 Blue (RAL5015/A)	
	8 Grey(RAL7035/D)	
	9 White(RAL1102)	
	C Green(RAL6018/U)	

mat'l. code				surface ASME Y14.5	tolerance ASME Y14.5	projection 	product family TERMINAL BLOCK
ltr	ecn	no	dr	date	tolerances unless otherwise specified		title TERMINAL BLOCK
					angles X±0.5	MM	RISING CLAMP,180D WIRE INLET,END STACKABLE,LEFT TYPE
					X'±1"	scale	dwg no YMxx01x000J0G
			dr	EVIN ZHONG	041014		sheet 1 of 1 size A4
			enr	EVIN ZHONG	041014		CUSTOMER Drawing
			chr	HANKE FENG	041014		
			appd	SHI JUN	041014		
sheet index	revision	A					
	sheet	1					