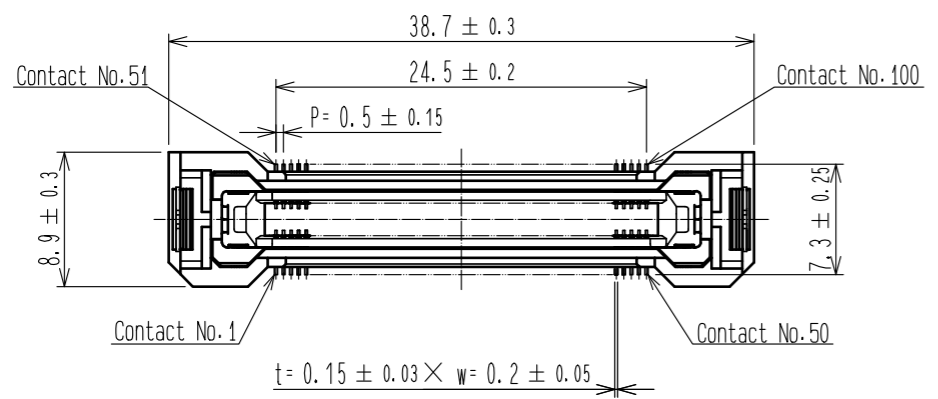
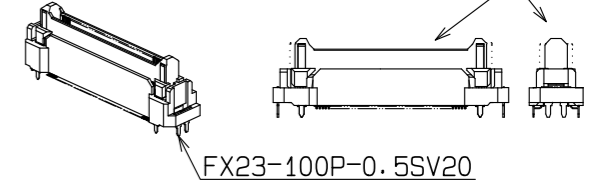


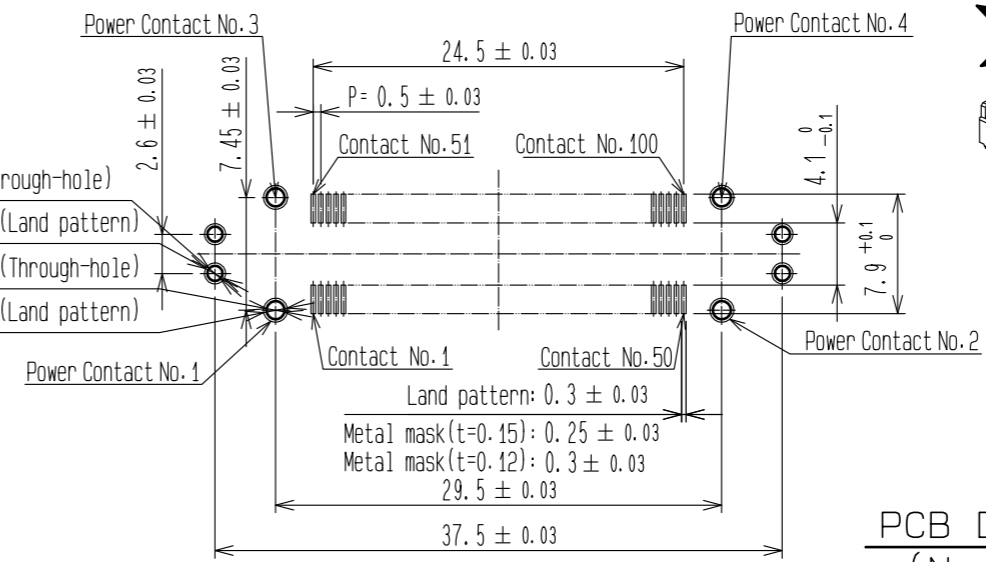
**RECOMMENDED LAND PATTERN DIMENSION OF PCB**  
 △ (PCB THICKNESS: t=1.6mm)

③ **FLOATING RANGE**

Y DIRECTION: ±0.6mm  
 X DIRECTION: ±0.6mm

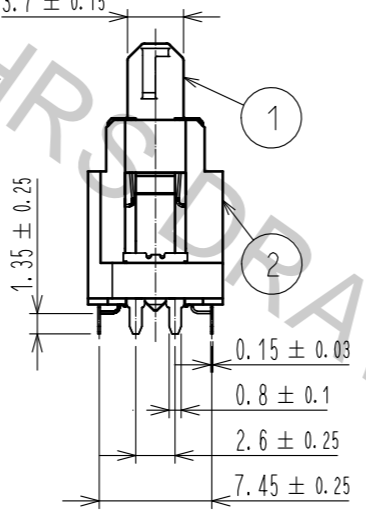
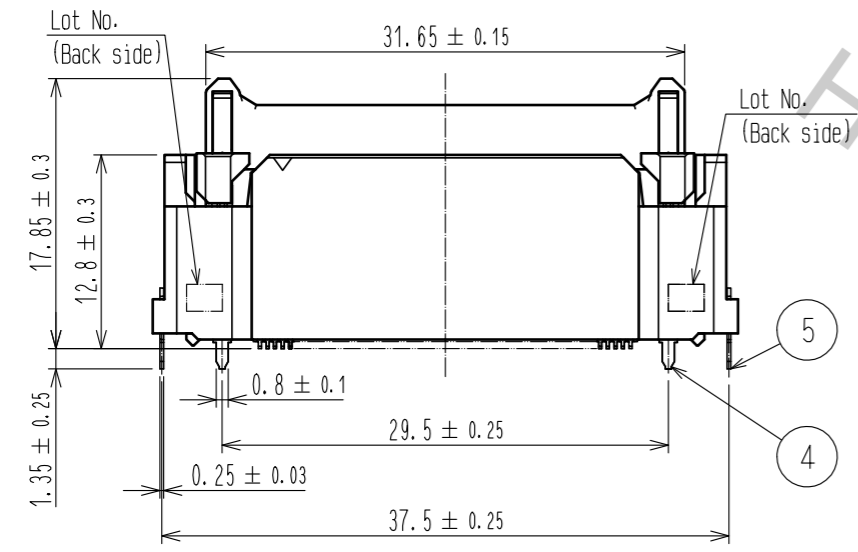
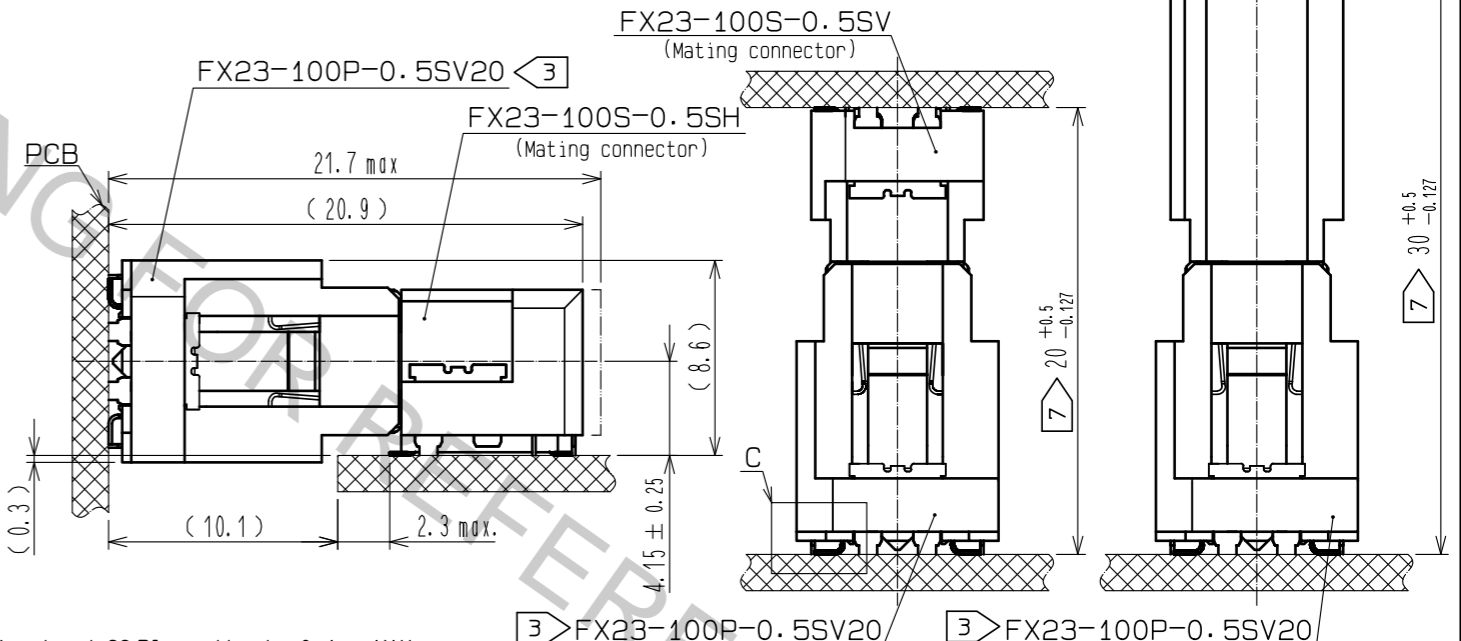


- 4×Φ 1<sup>+0.1</sup><sub>0</sub> (Through-hole)
- 4×Φ 1.4<sup>+0.2</sup><sub>0</sub> (Land pattern)
- 4×Φ 1.2<sup>+0.1</sup><sub>0</sub> (Through-hole)
- 4×Φ 1.6<sup>+0.2</sup><sub>0</sub> (Land pattern)

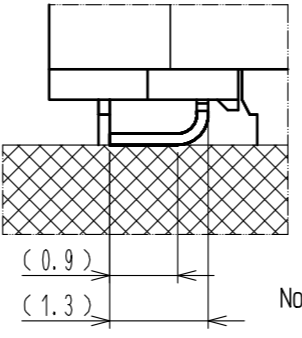


FX23-100S-0.5SV10  
 (Mating connector)

PCB DISTANCE  
 (No scale)

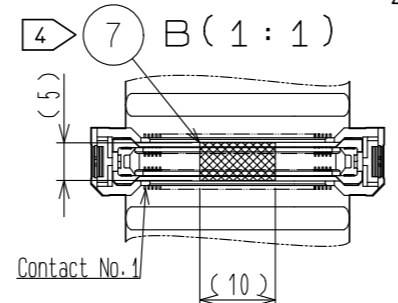
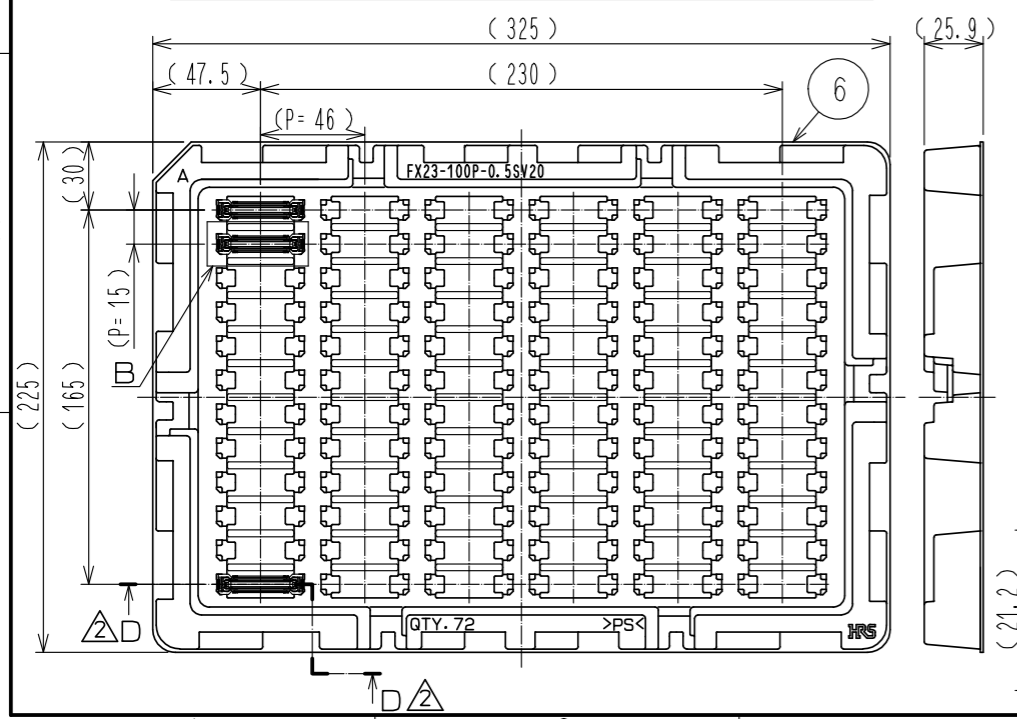


C (10 : 1)

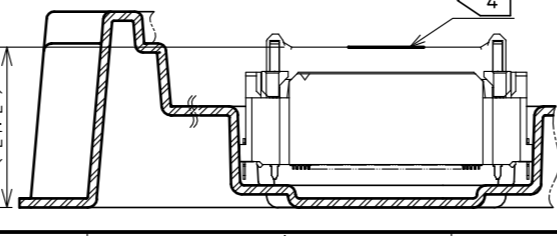


- Note
- 1 Lead CO-Planarity is 0.1mm MAX.
  - 2 This is packaged in tray. (72pcs/tray)
  - 3 Floating range of this connector is ±0.6mm MAX.
  - 4 The maximum cycle time of the floating operation is in accordance with the mating cycle of the connector.
  - 5 It shows the vacuum pickup area. Remove the mylar tape before mating connectors.
  - 6 Blemish and hit mark can be occurred through out the manufacturing process which doesn't affect quality level.
  - 7 The dimensions in parentheses are for references.
  - 8 Please use the connectors within the specified PCB distance.

② **DRAWING FOR PACKING (No scale)**



△ D-D (1 : 1)



NO.	MATERIAL	FINISH . REMARKS	NO.	MATERIAL	FINISH . REMARKS
3	COPPER ALLOY	CONTACT AREA:GOLD 0.1 μm LEAD AREA:GOLD 0.03 μm UNDER PLATING:NICKEL 1.3 μm	7	POLYIMIDE	(TAPE FOR VACUUM PICKUP)
2	POLYAMIDE	BLACK UL94V-0	6	POLYSTYRENE	(TRAY)
1	POLYAMIDE	BLACK UL94V-0	5	BRASS	LEAD AREA:TIN-PLATING 3 μm UNDER PLATING:NICKEL 1 μm
			4	COPPER ALLOY	CONTACT AREA:GOLD 0.1 μm LEAD AREA:TIN-PLATING 1 μm UNDER PLATING:NICKEL 1.3 μm

UNITS	SCALE	COUNT	DESCRIPTION OF REVISIONS	DESIGNED	CHECKED	DATE
mm	2 : 1	4	DIS-F-00001099	TS.00NO	KN.SHIBUYA	16.02.17
APPROVED : HS. OKAWA			14.07.25	DRAWING NO. EDC-353548-00-00		
CHECKED : KN. SHIBUYA			14.07.25	PART NO. FX23-100P-0.5SV20		
DESIGNED : TS.00NO			14.07.25	CODE NO. CL573-3105-6-00		
DRAWN : TS.00NO			14.07.25			