

THIS DRAWING IS UNPUBLISHED.

RELEASED FOR PUBLICATION

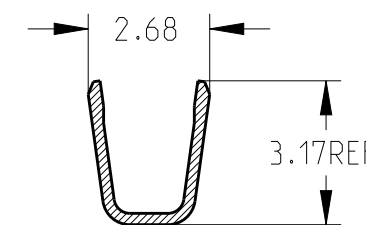
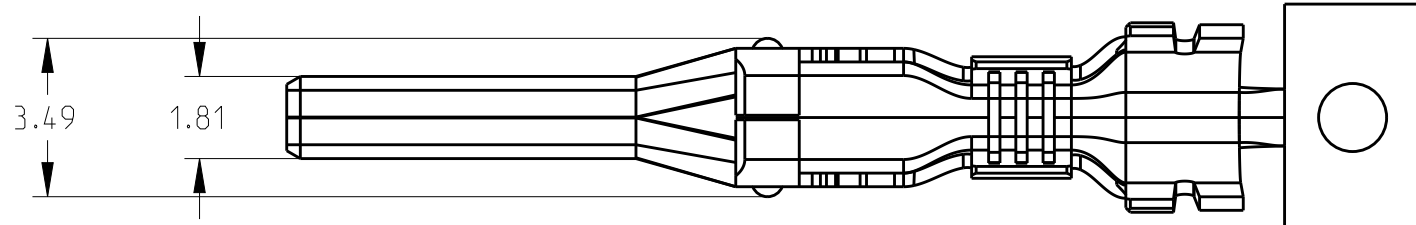
© COPYRIGHT 19 BY -

ALL RIGHTS RESERVED.

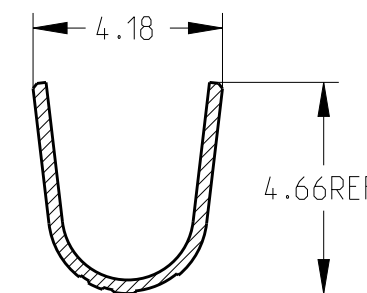
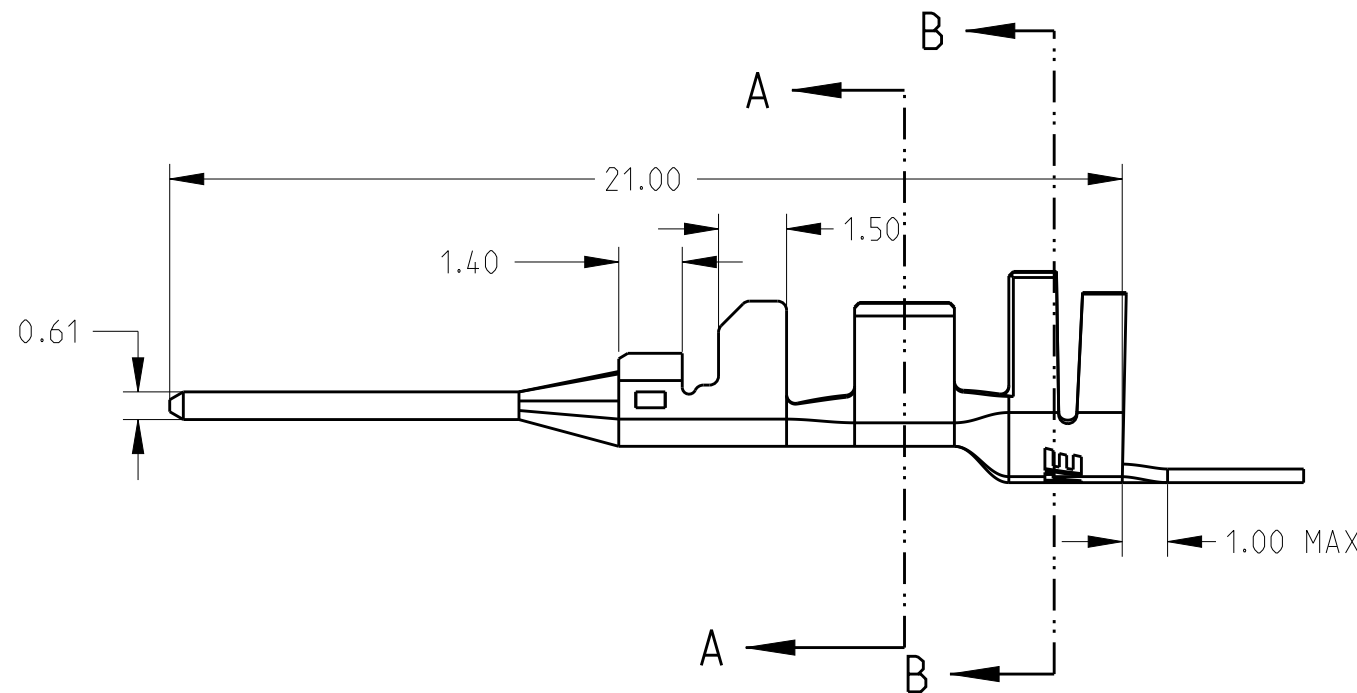
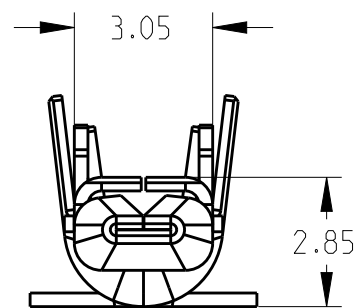
LOC ES DIST 00

REVISIONS

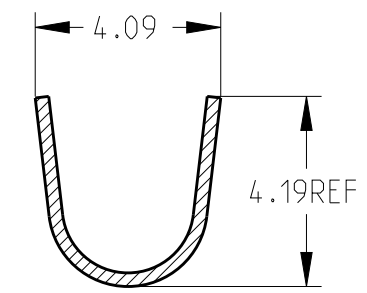
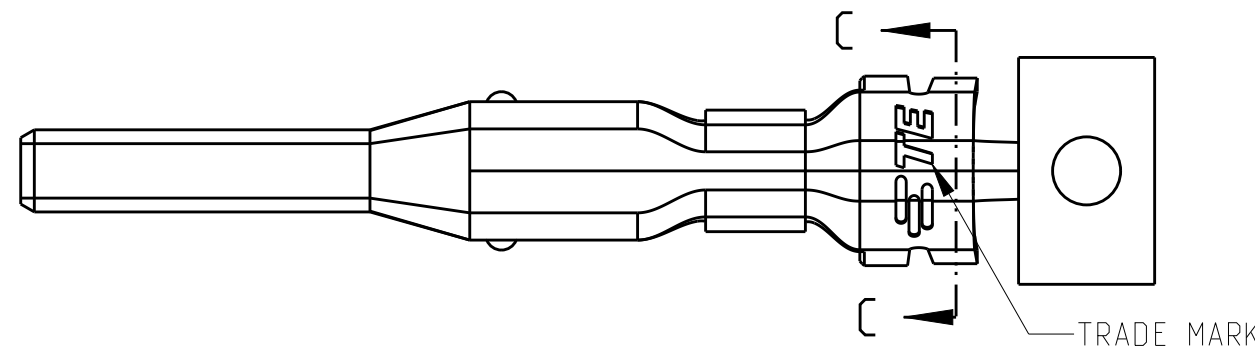
P	LTR	DESCRIPTION	DATE	DWN	APVD
	A1	RELEASED PER ECR-17-000612	22 JAN 17	N.L	D.Z



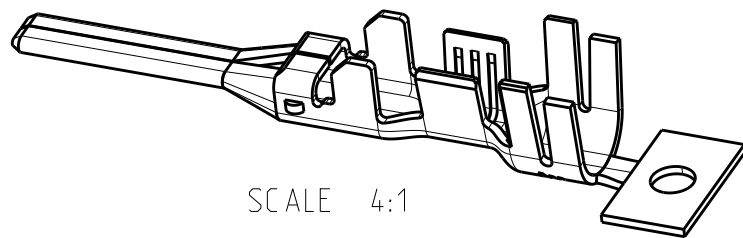
SECTION A-A



SECTION B-B



SECTION C-C



SCALE 4:1

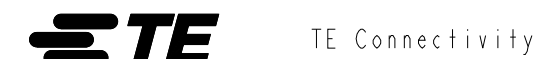
NOTE:

- 1. MATERIAL: COPPER ALLOY. PRE-TINNED
- 2. APPLICABLE HOUSING P/N: 1983658-*, 1983659-*
- 3. APPLICABLE WIRE RANGE: 16~20AWG

THIS DRAWING IS A CONTROLLED DOCUMENT.

DIMENSIONS:	TOLERANCES UNLESS OTHERWISE SPECIFIED:
mm	
	0 PLC ±
	1 PLC ±1.0
	2 PLC ±0.50
	3 PLC ±0.300
	4 PLC ±0.2000
	ANGLES ±
MATERIAL -	FINISH -

DWN	LEO LIU	19AUG2011
CHK	HAPYE WU	19AUG2011
APVD	ERIC KONG	19AUG2011
PRODUCT SPEC	108-106071	
APPLICATION SPEC	114-106071	
WEIGHT	-	
CUSTOMER DRAWING		



NAME				TAB CONTACT MULTI 6P CONNECTOR	
SIZE	CAGE CODE	DRAWING NO	RESTRICTED TO		
A3	-	©-1983661	-		
SCALE		SHEET	OF	REV	
N/A		1	1	A1	

(4000PCS/REEL)*5	3-1983661-1
(5000PCS/REEL)*4	1983661-1
PACKAGE QUANTITY(PCS)	PART NO.