

PRODUCT NUMBER

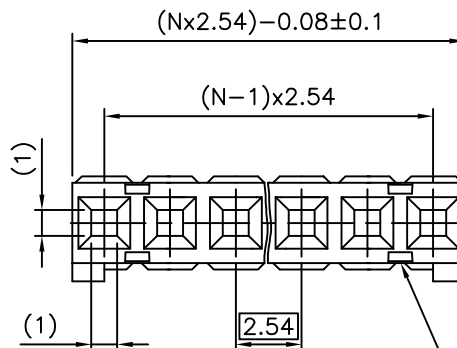
65240-0XXYL^F

WHEN NEEDED, SUFFIX LETTER "LF"
INDICATES THE PRODUCT IS RoHS
COMPLIANT, SEE NOTE 6

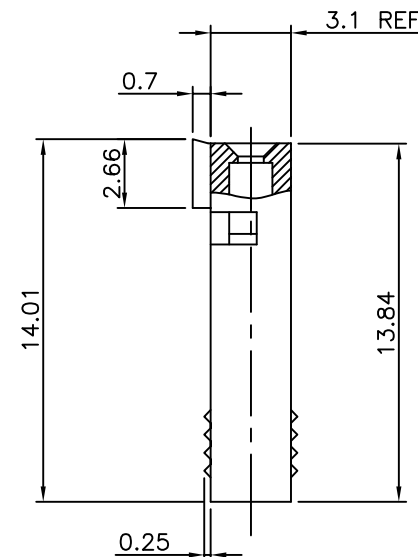
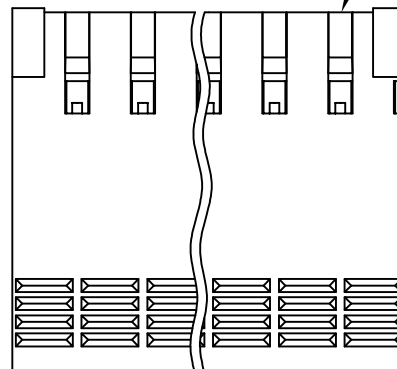
PACKAGING, NOTE 3

NUMBER OF CAVITIES PER ROW: 02 TO 36.

PLASTIC MATERIAL.



SEE NOTE 2



NOTES:

- 1 - HOUSING MAT'L: THERMOPLASTIC GLASS FILLED
FLAME RETARDANT PER UL 94 V-0 COLOR: BLUE.
- 2 - OVER DASH -007 ONLY FIRST AND
LAST THREE POSITIONS MUST HAVE
GROOVES ON TWO SIDES.
- 3 - PACKAGING :
= PACKAGING POLYBAGS
"V" = PACKAGING POLYBAGS FOR CUSTOMER DEDICATED PART

- 4 - TO DETERMINE DIMENSIONS:
N = NUMBER OF POSITIONS
EXAMPLE: 8 POS: (N \times 2.54)-0.08=20.24 mm.
- 5 - FOR TECHNICAL APPLICATION SEE TA317.
- 6 - RoHS COMPATIBLE PRODUCT SPECIFICATIONS

a - LABELING:
- MEETS PACKAGING SPECS AS PER GS-14-920

b - LEGAL STATEMENT: SEE GS-22-008

THE PRODUCT IS NOT INTENDED TO BE EXPOSED TO A
MANUFACTURING SOLDER PROCESS.

mat'l. code		surface		tolerance		projection		product family	
SEE NOTE		ISO 1302		ISO 406 ISO 1101		mm		DUBOX	
ltr	ecn no	dr	date	tolerances unless otherwise specified		mm		title	
P	F06-0146	DLE	06.03.10	angles	linear	scale 5:1		CtW HOUSING SR	
R	F06-0225	DLE	06.07.07						
S	F07-0166	PNZ	07.04.02	±2'					
T	F-27116	LMU	17.05.30	dr	G CORBOZ	01.01.05	dwg no		
				engr	P NIZZI	01.01.05	sheet 1 of 1		
M	F05-0236	DLE	05.08.24	chr	JF NOTTEAU	01.01.05	size		
N	F05-0286	DLE	05.11.07	appd	P NZ	01.01.05	A3		
sheet index		revision sheet						type	
								CUSTOMER Drawing	

