

NOTES:

1.0 ELECTRICAL SPECIFICATIONS:

1.1 FREQUENCY RANGE: DC to 18.0 GHz

1.2 VSWR (MAX.): 1.12:1

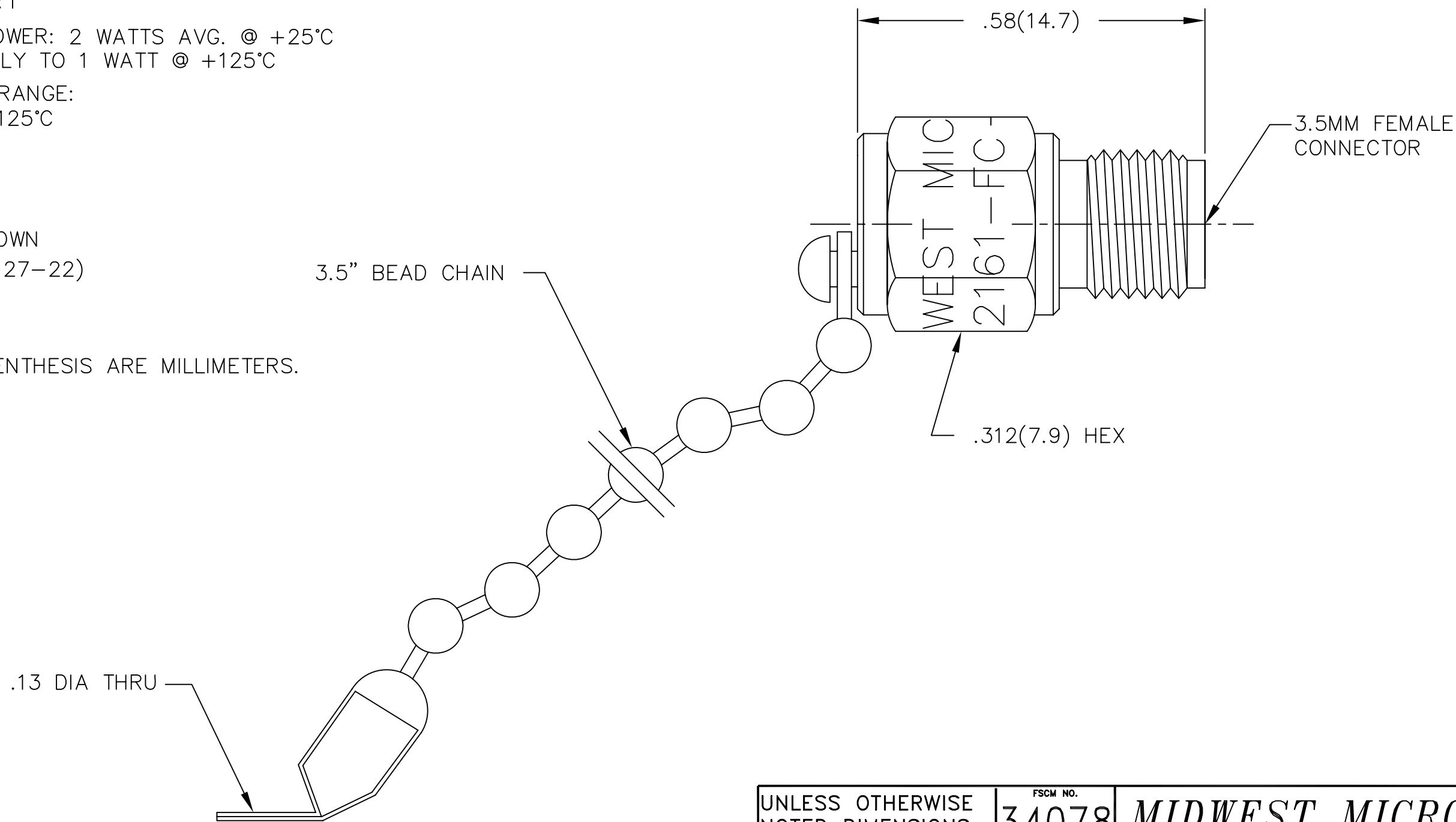
1.3 MAXIMUM INPUT POWER: 2 WATTS AVG. @ +25°C
DERATED LINEARLY TO 1 WATT @ +125°C

1.4 OPERATING TEMP. RANGE:
-65°C to +125°C

2.0 MARKING:

MARK UNIT AS SHOWN
(REF: INK-02639-27-22)

3.0 DIMENSIONS IN PARENTHESIS ARE MILLIMETERS.



MODEL NUMBER
TRM-2161-FC-35M-02

REV.
B1

REV.	DESCRIPTION	DATE
-	RELEASED	8/12/92
A	ECN 12132	10/16/92
B	ECN 12390	2/1/93
B1	ADDED TITLEBLOCK	11/9/05

UNLESS OTHERWISE NOTED DIMENSIONS ARE IN INCHES AND TOLERANCES ARE: 3 PLACE DECIMALS ±.005 2 PLACE DECIMALS ±.02 FRACTIONS ±1/64 PARALLELITY: T.I.R. _____ FLATNESS: T.I.R. _____ CONCENTRICITY: T.I.R. _____ ANGLES AND PERPENDICULARITY: ±1°	FSCM NO. 34078	MIDWEST MICROWAVE		
	NOTICE: The information contained in this drawing is proprietary and must not be used without the permission of Midwest Microwave		TITLE TERMINATION	
	DRAWN/DATE A.BEATTY 8/6/92	ENG./DATE G.KOZAK 8/7/92	DRAWING NUMBER TRM-2161-FC-35M-02	
	CHECKED/DATE M.HOLLMAN 8/7/92	APPROVED/DATE	SCALE: 5=1	SHEET 1 of 1