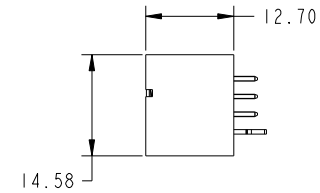
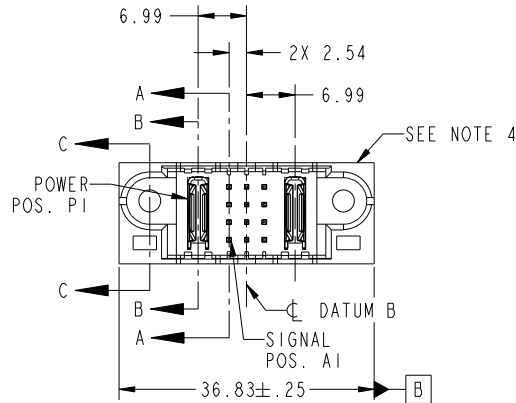


Tous droits strictement reserves. Reproduction ou communication a des tiers interdite sous quelque forme que ce soit sans autorisation écrite du propriétaire. Propriete de c FCI. Droits de reproduction FCI.



All rights strictly reserved. Reproduction or issue to third parties in any form whatever is not permitted without written authority from the proprietor. Property of FCI. Copyright FCI.

PRODUCT NO.	ROWS	1 2						
		PWR	SIGNAL			PWR		
51710-010... NOTE: 3	D C B A	E1	P1	1	2	3	P2	E2



CODE	DIM "M" MATING LENGTH	CONTACT TYPE
PA	[N/A]	POWER
HA	[N/A]	HOLD-DOWN
E	[6.86]	SIGNAL
H	[5.59]	SIGNAL

mat'l code				SEE NOTE		tolerances unless otherwise specified		CUSTOMER		FCI www.fciconnect.com	
ltr	ecn no.	dr	date	linear	0.X ± 0.5	projection		COPY		title	
A	V04-0217	TAB	03/02/04		0.XX ± 0.25					IP + 12S + 1P VERTICAL SOLDER HEADER	
B	DG05-0389	GuoJM	10/13/05		0.XXX ± 0.10					product family PwrBlade code 213	
C	DG07-0498	JW	09/15/08	angles	0° ± 2°	scale 1:1				size dwg no 51710-010 sheet 1 of 4	
				dr	T. BRUNGARD 03/02/04						
				enr	M. GRAY 03/02/04						
				chr	M. GRAY 03/02/04						
				appd	M. GRAY 03/02/04						
sheet index	revision sheet	C	C	C	C					cage code 22526	
		1	2	3	4						

Pro/E

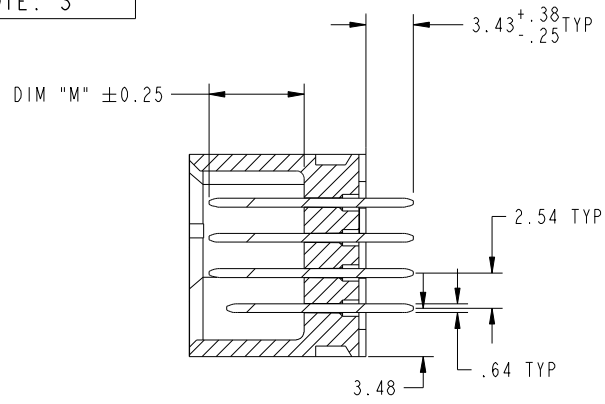
cage code 22526

Tous droits strictement reserves. Reproduction ou communication a des tiers interdite sous quelque forme que ce soit sans autorisation écrite du propriétaire. Propriete de c FCI. Droits de reproduction FCI.

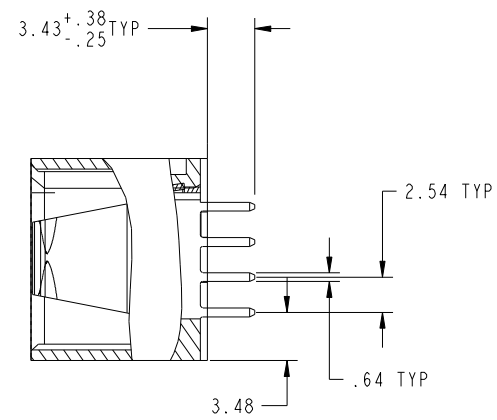


All rights strictly reserved. Reproduction or issue to third parties in any form whatever is not permitted without written authority from the proprietor. Property of FCI. Copyright FCI.

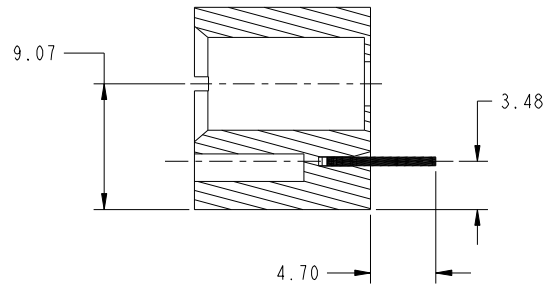
PRODUCT NUMBER
51710-010__
NOTE: 3



SECTION A-A
SCALE 2:1



SECTION B-B
SCALE 2:1



SECTION C-C
SCALE 2:1

mat'l code		SEE NOTE		tolerances unless otherwise specified		CUSTOMER		www.fciconnect.com	
ltr	ecn no.	dr	date	linear	0.X ±0.5	COPY		title	
c					0.XX ±0.25	projection		IP + 12S + 1P VERTICAL SOLDER HEADER	
				angles	0.XXX ±0.10			product family PwrBlade code	
				dr	T. BRUNGARD 03/02/04			size 213	
				enr	M. GRAY 03/02/04	scale		dwg no 51710-010 sheet 2	
				chr	M. GRAY 03/02/04	1:1			
				appd	M. GRAY 03/02/04				
sheet index	revision sheet								

cage code 22526

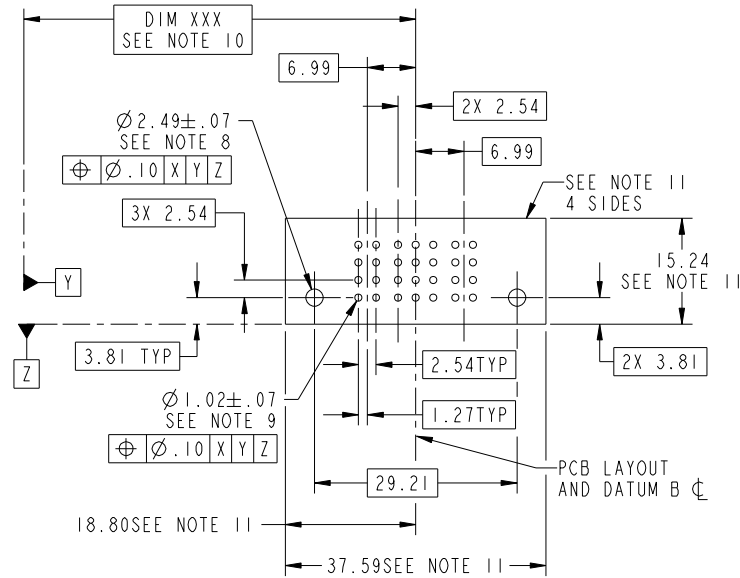
Pro/E

Tous droits strictement reserves. Reproduction ou communication a des tiers interdite sous quelque forme que ce soit sans autorisation ecrite du proprietaire. Propriete de c FCI. Droits de reproduction FCI.



All rights strictly reserved. Reproduction or issue to third parties in any form whatever is not permitted without written authority from the proprietor. Property of FCI. Copyright FCI.

PRODUCT NUMBER
51710-010__
NOTE: 3



mat'l code		SEE NOTE		tolerances unless otherwise specified		CUSTOMER		www.fciconnect.com	
ltr	ecn no.	dr	date	linear	0.X ± 0.5	COPY		title	
C					0.XX ± 0.25	projection		IP + 12S + IP VERTICAL SOLDER HEADER	
				angles	0.XXX ± 0.10			product family PwrBlade code	
		dr	T. BRUNGARD	03/02/04	0° ± 2°	MIM		213	
		enr	M. GRAY	03/02/04				size	
		chr	M. GRAY	03/02/04		scale		dwg no	
		appd	M. GRAY	03/02/04		1:1		A 51710-010	
sheet index		revision sheet						sheet 3	

cage code 22526

Pro/E

Tous droits strictement reserves. Reproduction ou communication a des tiers interdite sous quelque forme que ce soit sans autorisation écrite du propriétaire. Propriete de c FCI. Droits de reproduction FCI.



All rights strictly reserved. Reproduction or issue to third parties in any form whatever is not permitted without written authority from the proprietor. Property of FCI. Copyright FCI.

PRODUCT NUMBER
51710-010--
NOTE: 3

NOTES:

1. DIMENSIONS AND TOLERANCES ARE IN ACCORDANCE WITH ASME Y14.5M, 1994 UNLESS OTHERWISE SPECIFIED.

CONNECTOR NOTES:

2 HOUSING MATERIAL: UL 94 V-0 GLASS FILLED
HIGH-TEMP THERMOPLASTIC
POWER CONTACT MATERIAL: COPPER ALLOY
SIGNAL PIN MATERIAL: COPPER ALLOY

3. PLATING:
SEE ITEM 1 & 2 IN PRINT 10064183 FOR PLATING SPEC OF 51710-010; 51710-010LF PRESPECTIVELY

4 MANUFACTURER'S NAME, P/N, AND DATE CODE TO APPEAR ON THIS SURFACE.

5. PRODUCT SPECIFICATION GS-12-149.
APPLICATION SPECIFICATION BUS-20-067.

6. PACKAGED IN TRAYS.

PCB NOTES:

7. ALL HOLE DIAMETERS ARE FINISHED HOLE SIZE.
8. MOUNTING HOLES, WHERE APPLICABLE, ARE UNPLATED.

9 $\varnothing 1.151 \pm 0.025$ DRILLED HOLES PLATED WITH
0.008 MIN SnPb OR Sn OVER 0.03
TO 0.08 Cu PLATING TO ACHIEVE
 $\varnothing 1.02 \pm 0.07$ HOLE.

10 "DIM XXX" TO BE DETERMINED BY THE CUSTOMER.

11 CONNECTOR KEEP-OUT ZONE.

12. A Δ SYMBOL WILL BE NEXT TO ANY DIMENSION, VIEW, OR NOTE WHICH HAS BEEN MODIFIED WITH THE CURRENT DRAWING REVISION.

mat'l code		SEE NOTE		tolerances unless otherwise specified		CUSTOMER		www.fciconnect.com	
ltr	ecr no.	dr	date	linear	0.X ± 0.5	COPY		title	
C					0.XX ± 0.25	projection		IP + 12S + 1P VERTICAL SOLDER HEADER	
				angles	0.XXX ± 0.10			product family PwrBlade code	
				dr	T. BRUNGARD 03/02/04			size	
				enrg	M. GRAY 03/02/04	scale		dwg no	
				chr	M. GRAY 03/02/04	1:1		51710-010	
				appd	M. GRAY 03/02/04	A		sheet	
sheet index		revision sheet						4	

cage code 22526

Pro/E