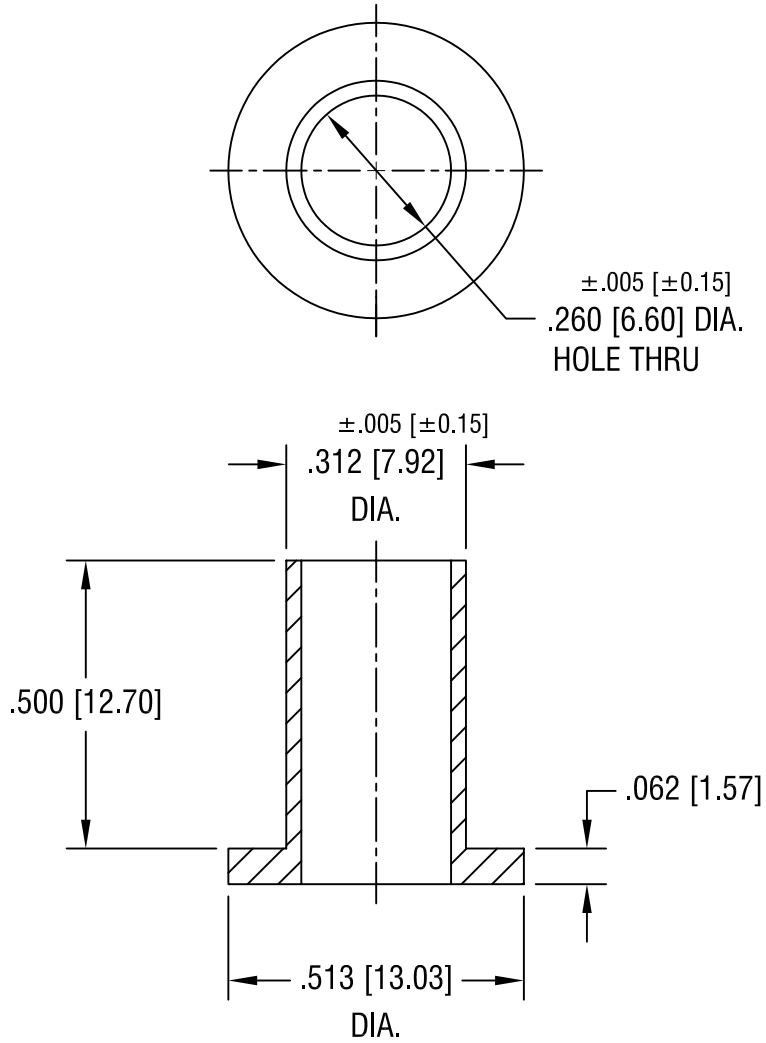


THIS DOCUMENT IS THE PROPERTY OF
 KEYSTONE ELECTRONICS CORP. AND
 SHALL NOT BE REPRODUCED, DISTRIBUTED
 OR USED AS A BASIS FOR MANUFACTURE
 WITHOUT PRIOR WRITTEN PERMISSION
 FROM KEYSTONE ELECTRONICS CORP.



KEYSTONE ELECTRONICS CORP.			
ASTORIA, N.Y. 11105-2017			
PART NAME			
NYLON SHOULDER WASHER			
MATERIAL			
NLYON 6/6			
FINISH		DRN BY	DATE
-		BOONE	4.18.06
		APP'D	SCALE
		LN	6X
TOLERANCES		INCH	[MM]
DECIMAL		$\pm .010$	$[\pm 0.25]$
ANGULAR		$\pm 1^\circ$	
UNLESS OTHERWISE SPECIFIED		CODE	DWG NO.
		C/M	3060

DATE	DESCRIPTION	REV.
------	-------------	------