

**Modular Crimp Head
Order No. 63811-9570**

**Application Tooling
Specification Sheet**

**TYPE 4A
Hand Crimp Tool
Order No. 63811-9500**

FEATURES

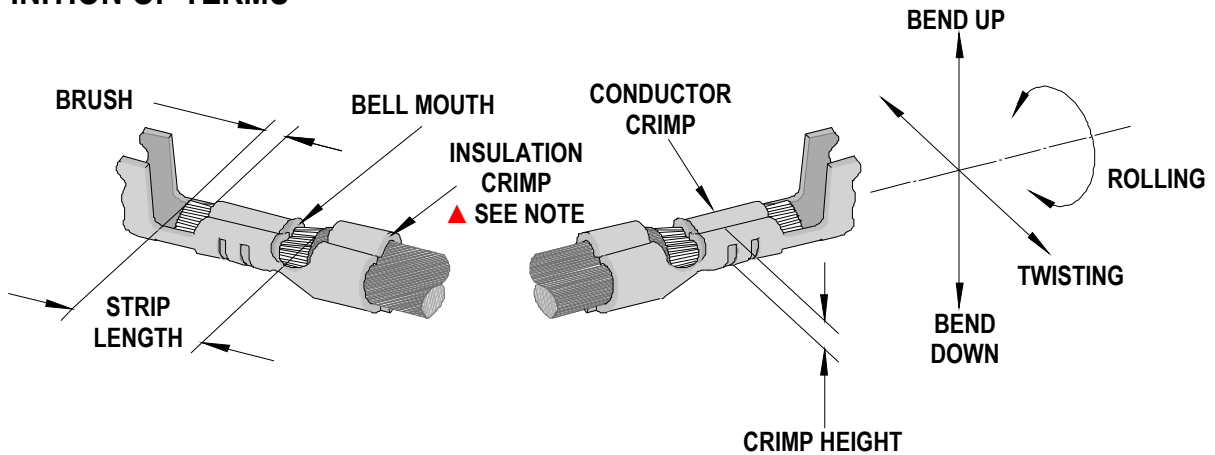
- % A full cycle ratcheting hand tool ensures complete crimps
- % Ergonomically designed soft handles
- % Precisely designed crimping profiles with simple contact positioning
- % Easy handling due to outstanding force ratio
- % Modular Crimp Head is removable and can be use in the Air Powered Tool Order No.63816-0100, accompanied by Air Powered Crimp Adapter (Order No. 63816-0700).
- % Can also be used in the Battery Powered Tool Order No.63816-0200 (110 V) or 63816-0250 (220 V), accompanied by Battery Powered Crimp Adapter (Order No. 63816-0600).

SCOPE

Products: OBD II 4.00mm (.157") Wire-to -Wire Crimp Terminal, 0.30-0.85mm² and 18-22 AWG.

Terminal Series No.	Terminal Order No.	Wire Size	Actual mm ²	Wire Type	Insulation Diameter		Strip Length	
					mm	In.	mm	In.
50420	50420-8100 (loose) 50420-8000 (reel) *	AVS-0.3, AVS-0.3f	0.37	JASO	1.60-1.90	.063-.075	3.00-3.70	.118-.146
		22AWG	0.35	TXL	1.60-1.90	.063-.075	3.00-3.70	.118-.146
		AVS-0.5, AVS-0.5f AVSS-0.5, AVSS-0.5f CAVS-0.5	0.56	JASO	1.60-2.10	.063-.083	3.00-3.70	.118-.146
		20AWG	0.50	TXL	1.60-2.10	.063-.083	3.00-3.70	.118-.146
		AVS-0.75f, AVSS-0.75f	0.79	JASO	1.80-2.30	.071-.090	3.00-3.70	.118-.146
		AVS-0.85, AVSS-0.85 CAVS-0.85	0.88	JASO	1.80-2.30	.071-.090	3.00-3.70	.118-.146
		18AWG	0.80	TXL	1.80-2.30	.071-.090	3.00-3.70	.118-.146
* Note: When using reeled parts, the cut-off tab must be maintained below 0.20mm (.008")								

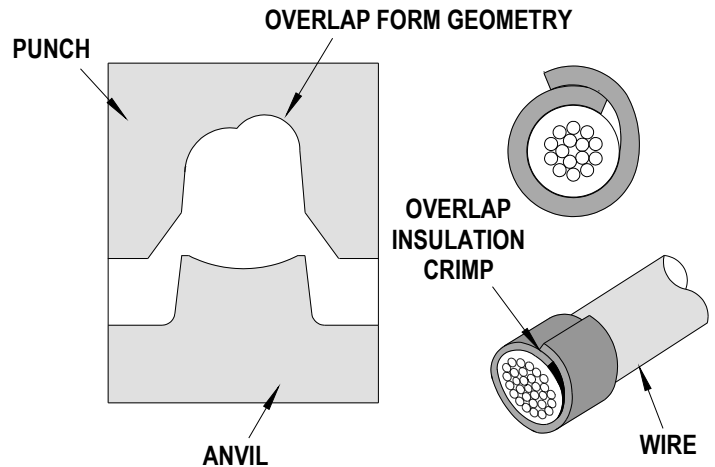
DEFINITION OF TERMS



The above terminal drawing is a generic terminal representation. It is not an image of a terminal listed in the scope.

▲ Insulation Crimp Note:

Due to the terminal's insulation grip design and/or insulation diameter range, this tool uses "overlap" form geometry in the insulation punch. This produces an overlap insulation crimp (A620 – compliant). While the insulation punch profile may appear "lopsided", this is a normal condition for this tool. See figure to the right. (Some tools with multiple crimp pockets may not have the "overlap" profile on all pockets).



CRIMP SPECIFICATIONS:

After crimping, the conductor profile should measure the following.

Terminal Series No.	Wire Size	Actual mm ²	Wire Type	Conductor				Profile AWG		
				Crimp Height (Ref.)		Crimp Width (Ref.)		0.3mm ²	0.75+0.85mm ²	0.5mm ²
				mm	In.	mm	In.	22 AWG	18 AWG	20 AWG
50420	0.3, 0.3f	0.37	JASO	0.86-0.95	.034-.037	1.60	.063	X		
	22AWG	0.35	TXL	0.86-0.95	.034-.037	1.60	.063	X		
	0.5, 0.5f	0.56	JASO	0.96-1.06	.038-.042	1.60	.063			X
	20AWG	0.50	TXL	0.96-1.06	.038-.042	1.60	.063			X
	0.75f	0.79	JASO	1.10-1.17	.043-.046	1.60	.063		X	
	0.85	0.88	JASO	1.10-1.17	.043-.046	1.60	.063		X	
	18AWG	0.80	TXL	1.10-1.17	.043-.046	1.60	.063		X	

Terminal Series No.	Wire Size	Actual mm ²	Wire Type	Insulation				Pull Force Minimum	
				Crimp Height (Ref.)		Crimp Width (Ref.)		N	Lb.
				mm	In.	mm	In.		
50420	0.3, 0.3f	0.37	JASO	2.20	.087	2.30	.091	58.8	13.2
	22AWG	0.35	TXL	2.20	.087	2.30	.091	58.8	13.2
	0.5, 0.5f	0.56	JASO	2.35	.093	2.40	.094	88.2	19.8
	20AWG	0.50	TXL	2.35	.093	2.40	.094	88.2	19.8
	0.75f	0.79	JASO	2.50	.098	2.60	.102	107.8	24.2
	0.85	0.88	JASO	2.50	.098	2.60	.102	117.6	26.5
	18AWG	0.80	TXL	2.50	.098	2.60	.102	117.6	26.5

T Tool Qualification Notes:

1. Pull Force should be measured with no influence from the insulation crimp.
2. The above specifications are guidelines to an optimum crimp.

OPERATION

Open the tool by squeezing the handles together, at the end of the closing stroke, the ratchet mechanism will release the handles, and the hand tool will spring open.

Crimping Terminals

1. Lift the wire stop blade up.
2. Insert the terminal fully into the correct profile until the terminal is fully seated and stops.
3. Bring down the wire stop blade.
4. Slide the pre-stripped wire into the wire stop blade. See Figure 1. Be sure to hold the wire in place until the terminal is fully crimped. See Figure 2.
5. Close the tool until the ratchet releases, the tool handles will then spring open.
6. Lift the wire stop blade up if it is still in down position.
7. Carefully remove the crimped terminal.

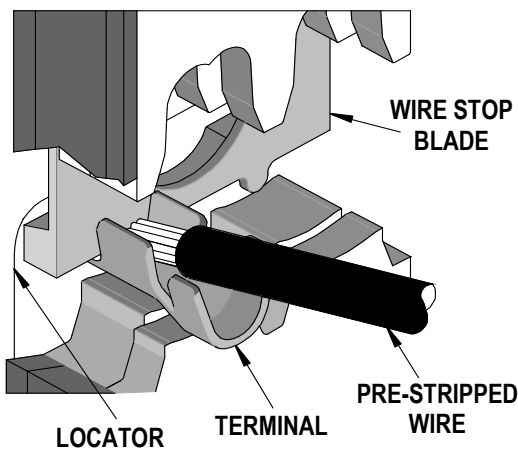


Figure 1

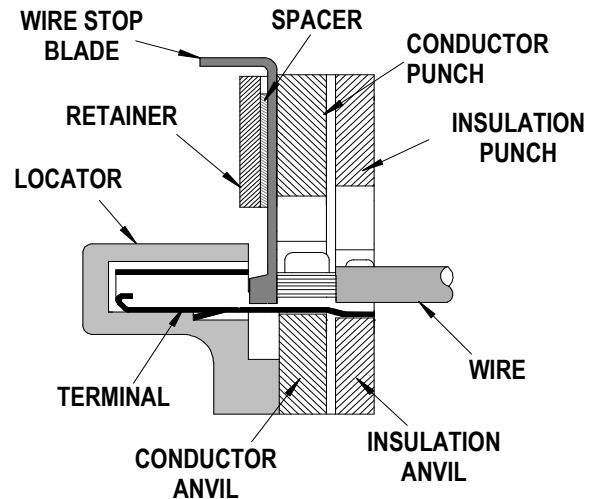


Figure 2

Note: To maintain good brush control and a consistent bell mouth the crimping instructions must be followed.

Note: The tamper proof ratchet action will not release the tool until it has been fully closed.

Maintenance

It is recommended that each operator of the tool be made aware of, and responsible for, the following maintenance steps:

1. Remove dust, moisture, and other contaminants with a clean brush, or soft, lint free cloth.
2. Do not use any abrasive materials that could damage the tool.
3. Make certain all pins; pivot points and bearing surfaces are protected with a thin coat of high quality machine oil. Do not oil excessively. The tool was engineered for durability but like any other equipment it needs cleaning and lubrication for a maximum service life of trouble free crimping. Light oil (such as 30 weight automotive oil) used at the oil points, every 5,000 crimps or 3 months, will significantly enhance the tool life.
4. Wipe excess oil from hand tool, particularly from crimping area. Oil transferred from the crimping area onto certain terminations may affect the electrical characteristics of an application.
5. When tool is not in use, keep the handles closed to prevent objects from becoming lodged in the crimping dies, and store the tool in a clean, dry area.

Miscrimps or Jams

Should this tool ever become stuck or jammed in a partially closed position, **Do Not force the handles open or closed**. The tool will open easily by lifting the ratchet release lever. See Figure 6.

Warranty

This tool is for electrical terminal crimping purposes only. This tool is made of the best quality materials. All vital components are long life tested. All tools are warranted to be free of manufacturing defects for a period of 30 days. Should such a defect occur, we will repair or exchange the tool free of charge. This repair or exchange will not be applicable to altered, misused, or damaged tools. This tool is designed for hand use only. Any clamping, fixturing, or use of handle extensions voids this warranty.

CAUTION: Repetitive use of this tool should be avoided.

CAUTIONS:

1. Manually powered hand tools are intended for low volume or field repair. This tool is **NOT** intended for production use. Repetitive use of this tool should be avoided.
2. Insulated rubber handles are not protection against electrical shock.
3. Wear eye protection at all times.
4. Use only the Molex terminals specified for crimping with this tool.

Notes:

1. This tool should only be used for the terminals and wire gauges specified on this sheet.
2. This tool is not adjustable for crimp height; however crimp force is adjustable (See instructions above). Variations in tools, terminals, wire stranding, and insulation types may affect crimp height.
3. This tool is intended for standard conductor sizes. It may not give a good insulation crimp support for all insulation sizes.
4. Molex does not repair hand tools (see warranty above). The replacement parts listed are the only parts available for repair. If the handles or crimp tooling is damaged or worn, a new tool must be purchased.
5. Pull force should be used as the final criteria for an acceptable crimp. Pull force is measured with no influence from the insulation crimp. The insulation should be stripped long (1/2 in.) so the insulation grips on the terminal do not grip the wire insulation or the conductor. Refer to Molex Quality Crimping Handbook 63800-0029 for additional information on crimping and crimp testing.

6. Molex does not certify crimp hand tools.

CAUTION: Molex crimp specifications are valid only when used with Molex terminals and tooling.

Applications for the Modular Crimp Head

WARNING: NEVER operate, service, install, or adjust this Modular Crimp Head without proper instruction and without first reading and understanding the instructions in the proper Manual or Specification Sheet. See Chart below for the correct Manual or Specification Sheet.

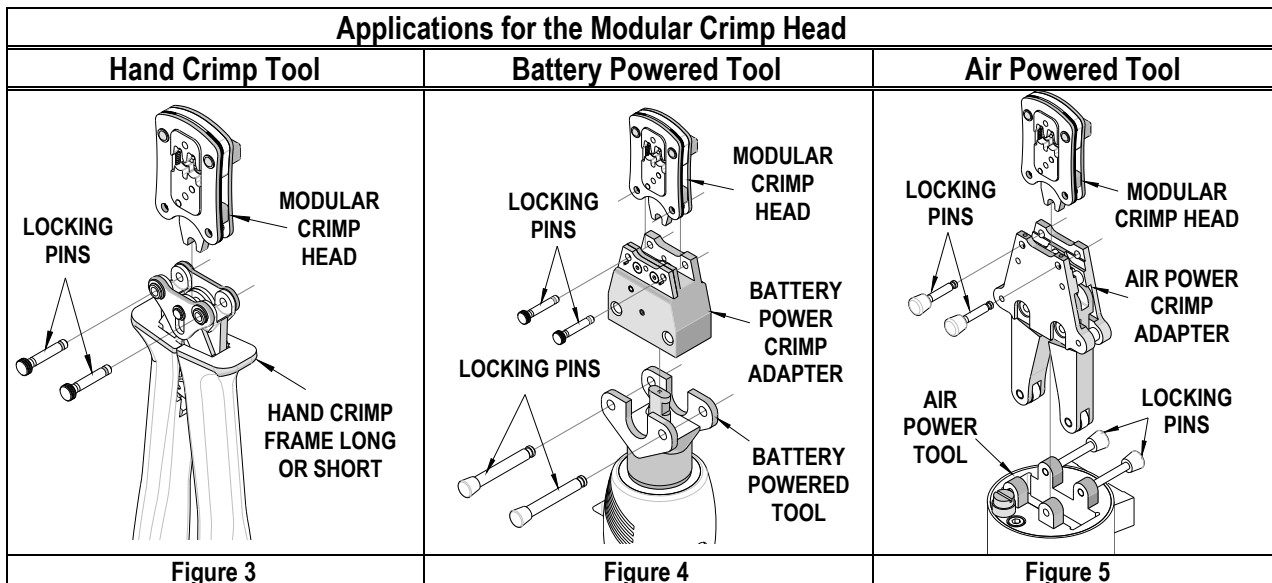
WARNING: NEVER install tooling or service this tool while it is into any power source. Disconnect the power by unplugging or turn off the Actuator from its power source.

CAUTION: Keep fingers away from the crimping area when operating this tool. It may cause severe injury.

CAUTION: Wear safety glasses when operating or serving this tool.

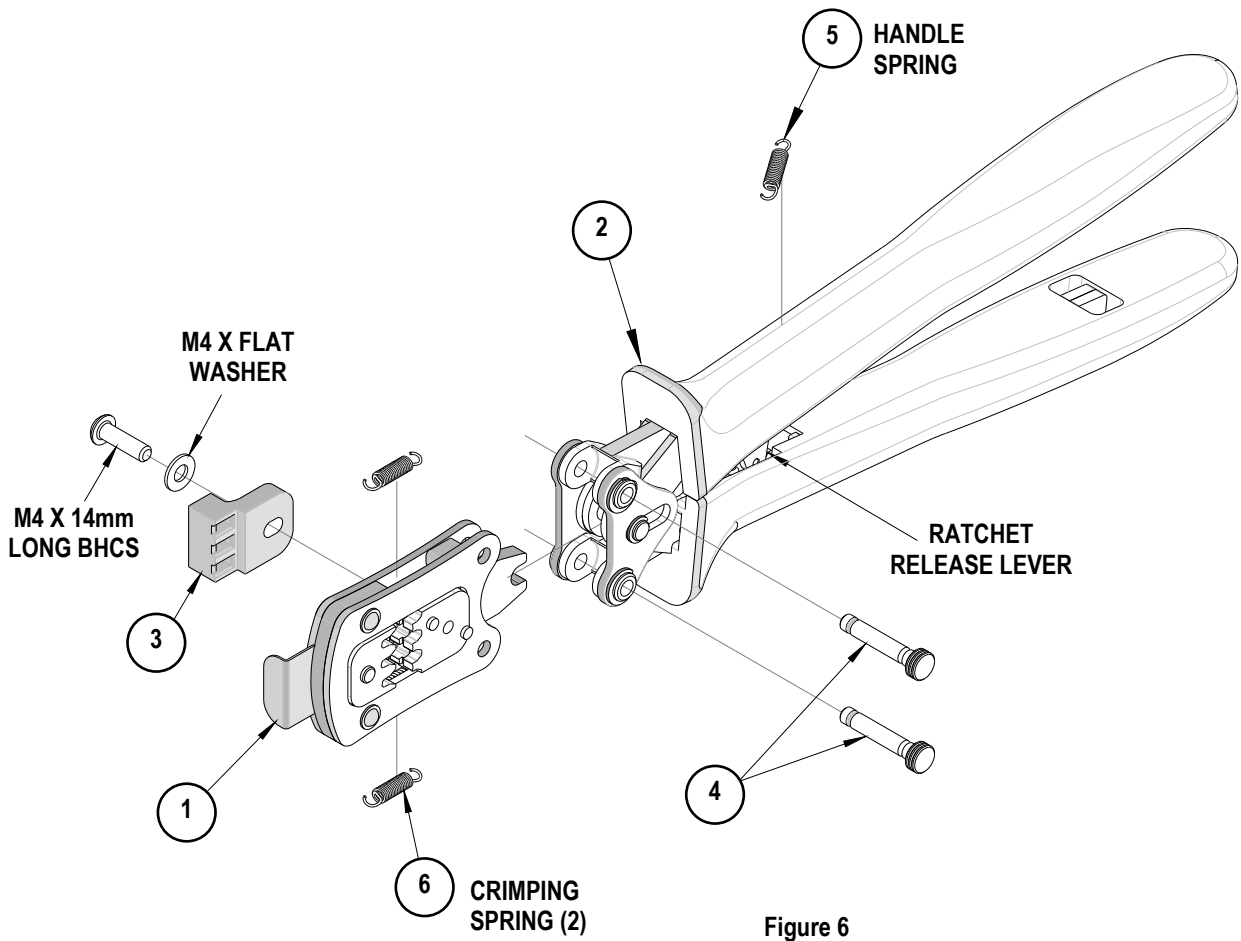
The chart below shows all applications for this Modular Crimp Head.

Modular Crimp Head Order No.	Tool Order no.	Tool Description	Adapter Order No.	Adapter Description	Figure No.
63811-9570	63816-0000	Hand Crimp Frame (Short)	N/A	N/A	3
	63816-0050	Hand Crimp Frame (Long)	N/A	N/A	3
	63816-0200	Battery Power Tool (110 V)	63816-0600	Battery Power Crimp Adapter	4
	63816-0250	Battery Power Tool (220 V)	63816-0600	Battery Power Crimp Adapter	4
	63816-0100	Air Power Tool	63816-0700	Air Power Crimp Adapter	5



PARTS LIST

Hand Crimp Tool 63811-9500			
Item	Order Number	Description	Quantity
1	63811-9570	Modular Crimp Head	1 (Ref)
2	63816-0050	Hand Crimp Frame (Long)	1 (Ref)
3	63811-9575	Locator	1
4	63816-0001	Locking Pin	2
5	63600-0525	Handle Spring	1
6	63600-0520	Crimping Spring	2



<http://www.molex.com>