

2

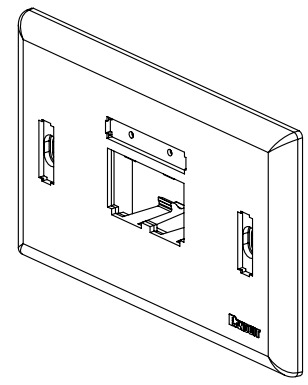
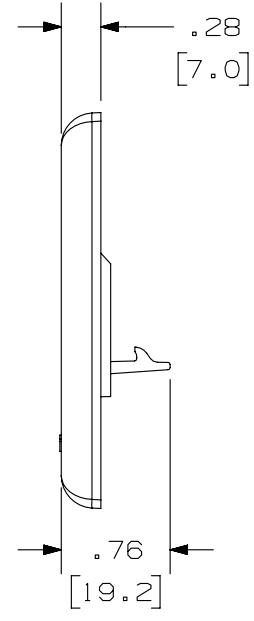
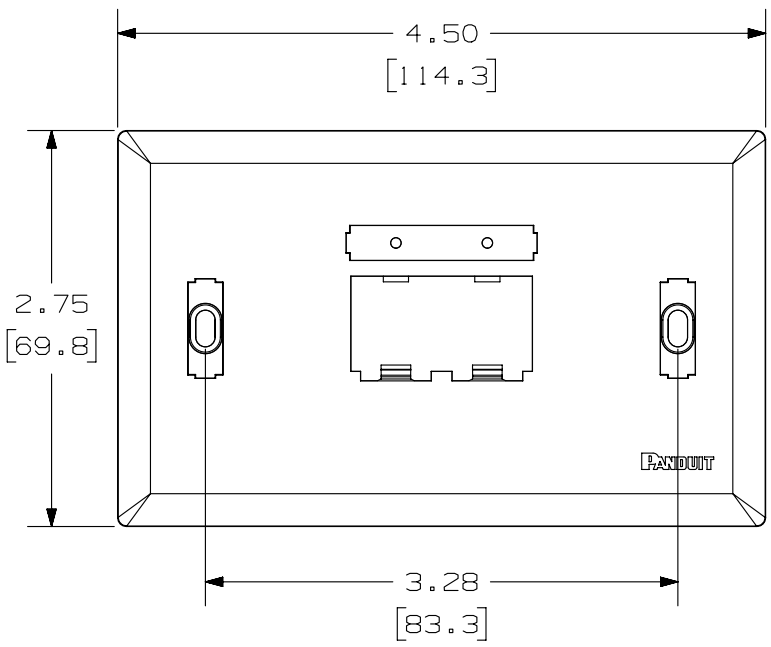
1

THIS COPY IS PROVIDED ON A RESTRICTED BASIS AND IS NOT TO BE USED IN ANY WAY DETRIMENTAL TO THE INTERESTS OF PANDUIT CORP.

PANDUIT P/N	WEIGHT
UICFPH2**	.54 LB/10 PCS (244.0 g/10 PCS)

NOTES:

- SEE CURRENT CATALOG FOR ADDITIONAL PART NUMBER SUFFIXES TO INDICATE COLOR AND OR PACKAGE QUANTITY.
- SEE CATALOG FOR COMPLETE LIST OF PARTS APPLICABLE FOR USE WITH THIS PART.
- DIMENSIONS IN PARENTHESES ARE IN METRIC.
- PART INCLUDES:
 - 1- FACEPLATE
 - 1- CLEAR SCREW COVER
 - 1- COLOR COORDINATED SCREW COVER
 - 1- CLEAR LABEL COVER
 - 2- MOUNTING SCREW



PART NUMBER		UICFPH2**	
TITLE			
MINI-COM ULTIMATE ID 2 POSITION HORIZONTAL CLASSIC SERIES FACEPLATE			
CUSTOMER DRAWING			
ITEM REVISION NAME		M01279BD/04	
DATASET FILE NAME		M01279BD_DC/04A	
UNLESS OTHERWISE SPECIFIED, DIMENSIONAL TOLERANCES ARE: IN (mm)		MATERIAL:	
.x ± .xxx ± .010 (.3)		ABS	
.xx ± .03 (.8) ANGLES ±		DRAWING NUMBER:	
THIRD ANGLE PROJECTION		01279-09	
DRAWN BY	DATE	CHK	SCALE
JSP	7-24-02		NONE
SHT 1 OF 1		SIZE	
		A	

1	5-20-14	BJN	JSP	MMR	REVISED & REDRAWN PREVIOUS REVISIONS REMVD FOR CLARITY	01279-09
REV	DATE	BY	CHK	APR	DESCRIPTION	ECN

2

1

D10100DA/14