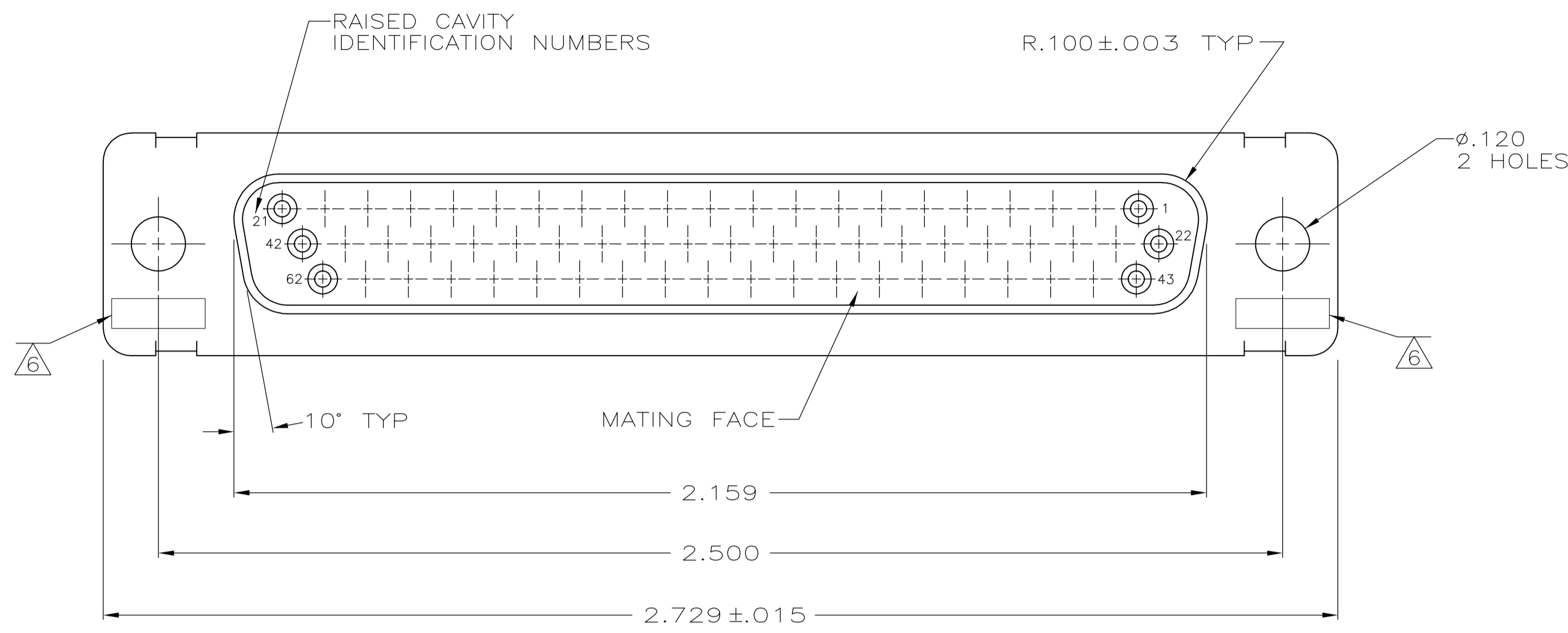
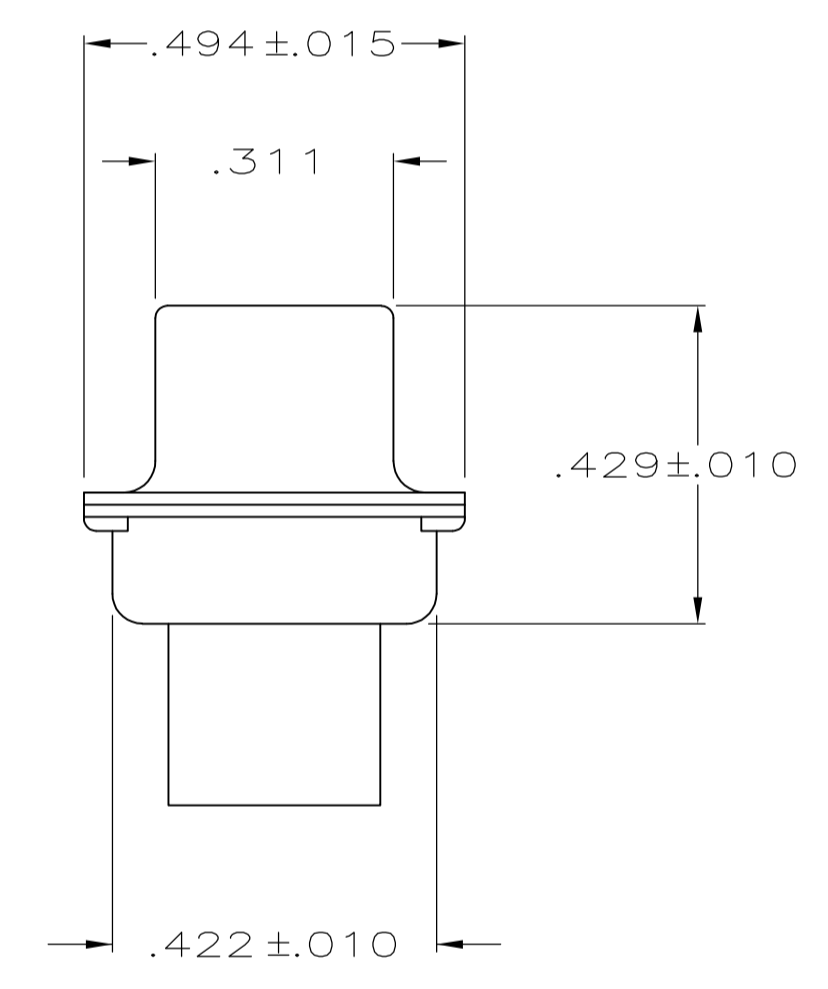
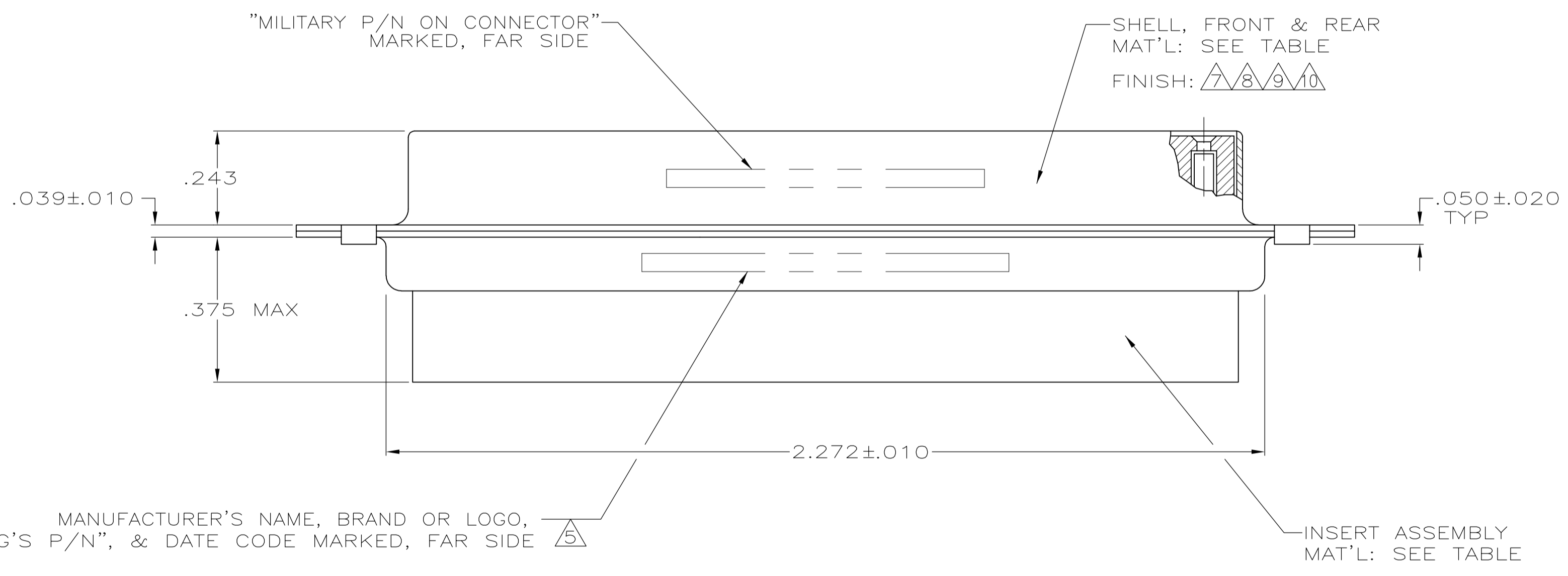


LOC		DIST		REVISIONS			
DF	DO	P	LTR	DESCRIPTION	DATE	DN	APVD
		T	REV PER	ECO-08-030008	22JAN2009	PK	RL



- THIS RCPT. IS DESIGNED TO CONFORM TO THE LATEST ISSUE OF MIL-C-24308.
 - MAX WIRE INSUL TO BE USED WITH THIS RCPT IS .054 DIA.
 - METAL RETENTION CLIPS ARE INCLUDED IN INSERTS.
 - THIS RCPT. WILL ACCEPT SIZE 22 SOCKET CONTACT M39029/57-354 OR ANY TYCO HDD-22 SOCKET CONTACT. CONTACTS ORDERED SEPARATELY.
- ⑤ MFG'S PART NO. MARKED ON CONNECTOR REPRESENTS KIT NUMBER WITH CONTACTS.
 - ⑥ UL/CSA DESIGNATION STAMPED IN THIS AREA, OPTIONAL.
 - ⑦ CADMIUM PER QQ-P-416.
 - ⑧ BRIGHT TIN PER MIL-T-10727.
 - ⑨ BRIGHT TIN PER ASTM-B-545 .000400-.000550 THK OVER COPPER PER AMS2418 .000050 MIN THK.
 - ⑩ ZINC PER ASTM-B-633 .000200 MIN THK, YELLOW CHROMATE.



MANUFACTURER'S NAME, BRAND OR LOGO, "MARKED MFG'S P/N", & DATE CODE MARKED, FAR SIDE ⑤

204506-6	-	-	-	⑨	STEEL, CLASS G	POLYPHENYLENE SULFIDE(PPS) PER MIL-M-24519, TYPE GST-40F COLOR: BLACK	204506-6
204506-5	-	-	-	⑩	STEEL, CLASS G	POLYPHENYLENE SULFIDE(PPS) PER MIL-M-24519, TYPE GST-40F COLOR: BLACK	204506-5
204506-4	-	-	-	⑧	STEEL, CLASS G	POLYPHENYLENE SULFIDE(PPS) PER MIL-M-24519, TYPE GST-40F COLOR: BLACK	204506-4
SUPSD BY 204506-1	-	-	-	⑦	STEEL, CLASS G	PHENOLIC COLOR: BLACK	204506-3
SUPSD BY 206503-4	-	-	-	⑦	BRASS	DIALLYL PATHALATE COLOR: BLUE	204506-2
204518-2	M24308/2-289F	M24308/2-14F	⑤	⑦	STEEL, CLASS G	POLYPHENYLENE SULFIDE(PPS) PER MIL-M-24519, TYPE GST-40F COLOR: BLACK	204506-1
MFG'S P/N MARKED ON CONNECTOR	MILITARY P/N ON PACKAGE	MILITARY P/N ON CONNECTOR	REMARKS	SHELL FINISH	SHELL MAT'L	INSERT MAT'L	PART NO.

THIS DRAWING IS A CONTROLLED DOCUMENT. DIMENSIONS: INCHES. TOLERANCES UNLESS OTHERWISE SPECIFIED: 0 PLC ± .005, 1 PLC ± .005, 2 PLC ± .005, 3 PLC ± .005, 4 PLC ± .005, ANGLES ± 0°30'.

MATERIAL: SEE TABLE. FINISH: SEE CALLOUTS.

THIS DRAWING IS A CONTROLLED DOCUMENT. DWN: C.C.THOMAS 01-DEC-87. CHK: F.C.BALLEW 25-JAN-88. APVD: F.C.BALLEW 25-JAN-88. NAME: Tyco Electronics. Tyco Electronics Corporation, Harrisburg, Pa 17105-3608.

AMPLIMITE RCPT FOR SOCKET CONTACTS HI-DENSITY D CONNECTOR SIZE 4 (62 POSN) SERIES 90

SIZE: A1. CASE CODE: 00779. DRAWING NO: 204506. WEIGHT: -. RESTRICTED TO: -. SCALE: 4:1. SHEET: 1 OF 1. REV: T.