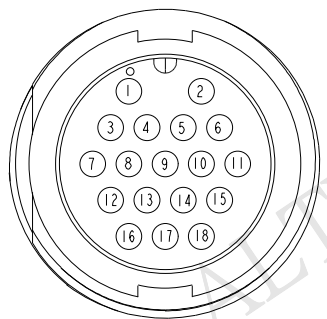
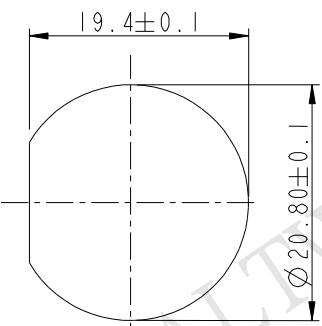
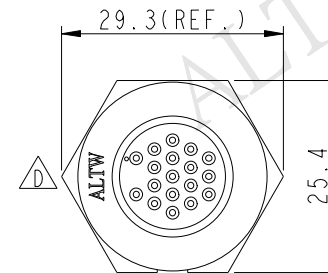
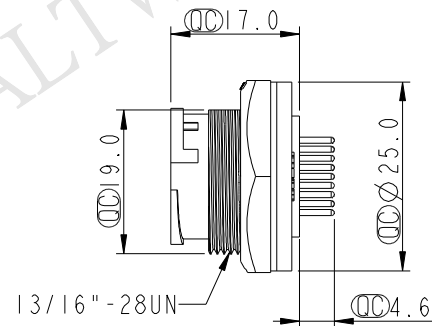
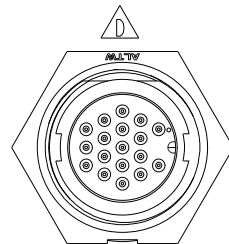


THIS DOCUMENT IS SUBJECT TO CHANGE WITHOUT NOTICE. IT IS CONFIDENTIAL AND A PROPERTY OF AMPHENOL LTW. DISCLOSURE TO THIRD PARTY HAS TO BE AUTHORIZED BY AMPHENOL LTW.

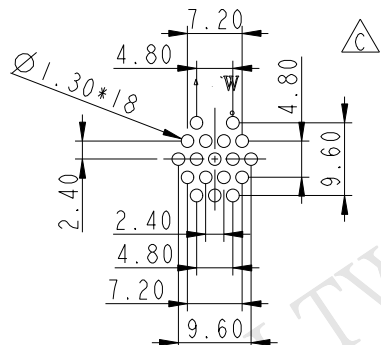
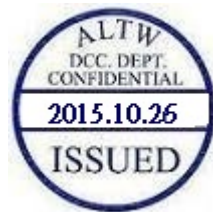
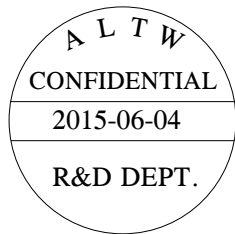
| REV. | ECN NO.    | DATE       | SIGN       | DESCRIPTION       |
|------|------------|------------|------------|-------------------|
| B    | LEN-8B0191 | 2008/09/25 | Shin       | Add Note          |
| C    | LEN-030099 | 2010/03/18 | Li Xiu Zhi | Change PCB Layout |
| D    | LEN15A0329 | 2015/06/04 | Jinhai     | Change Logo       |



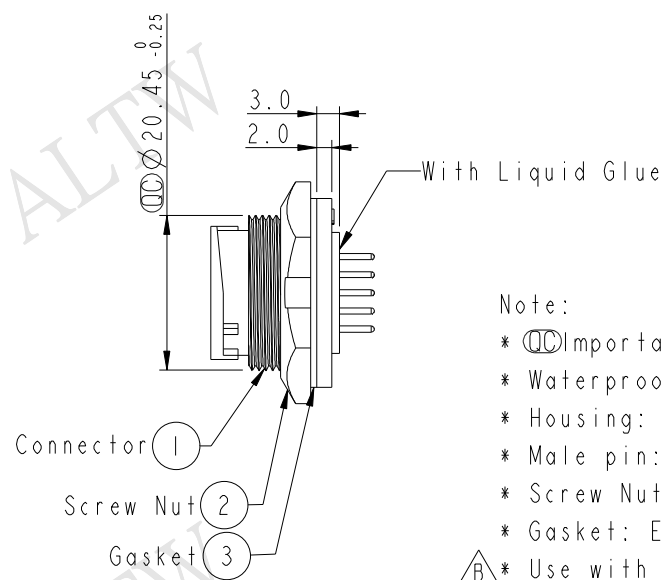
Pin Assignments  
Front View



Recommended  
Panel Cut-Out



18 Pin Male Connector  
Male Pin PCB Layout



Note:

- \*  $\varnothing$  Important Dimension To Check.
- \* Waterproof Rate: IP67
- \* Housing: Nylon+GF, Black
- \* Male pin: Copper Alloy, Gold Plated
- \* Screw Nut: Nylon+GF, Black
- \* Gasket: EPDM, Black
- $\triangle B$  \* Use with waterproof cap or dust cap  
Panel Thickness Max: 3.0mm
- $\triangle A$  \* Use without waterproof cap or dust cap  
Panel Thickness Max: 4.0mm

|           |       |
|-----------|-------|
| UNIT:mm   |       |
| TOLERANCE |       |
| .X        | ±0.25 |
| .XX       | ±0.1  |
| .XXX      | ±0.05 |
| ANGLES    | ±1°   |

|  |               |                                 |  |
|--|---------------|---------------------------------|--|
| TITLE<br>Middle<br>Panel Lock 18Pin M Conn M Pin |               |                                 |  |
| SCALE<br>1:1                                     | SIZE<br>A4    | SHEET<br>1 OF 1                 |  |
| REV.<br>D  | WC-REV.<br>.0 | $\varnothing$ : Inspection item |  |

**Amphenol LTW**  
安費諾亮泰企業股份有限公司

|                              |                      |                    |
|------------------------------|----------------------|--------------------|
| ITEM NO.<br>CU-18PMMP-LC7001 | DRAWN BY<br>Jinhai   | DATE<br>2015-06-04 |
| DWG NO.<br>CU-18PMMP-LC7001  | CHECKED BY<br>Tom    | DATE<br>2015-06-04 |
| CUSTOMER<br>ALTW             | APPROVED BY<br>Jerry | DATE<br>2015-06-04 |