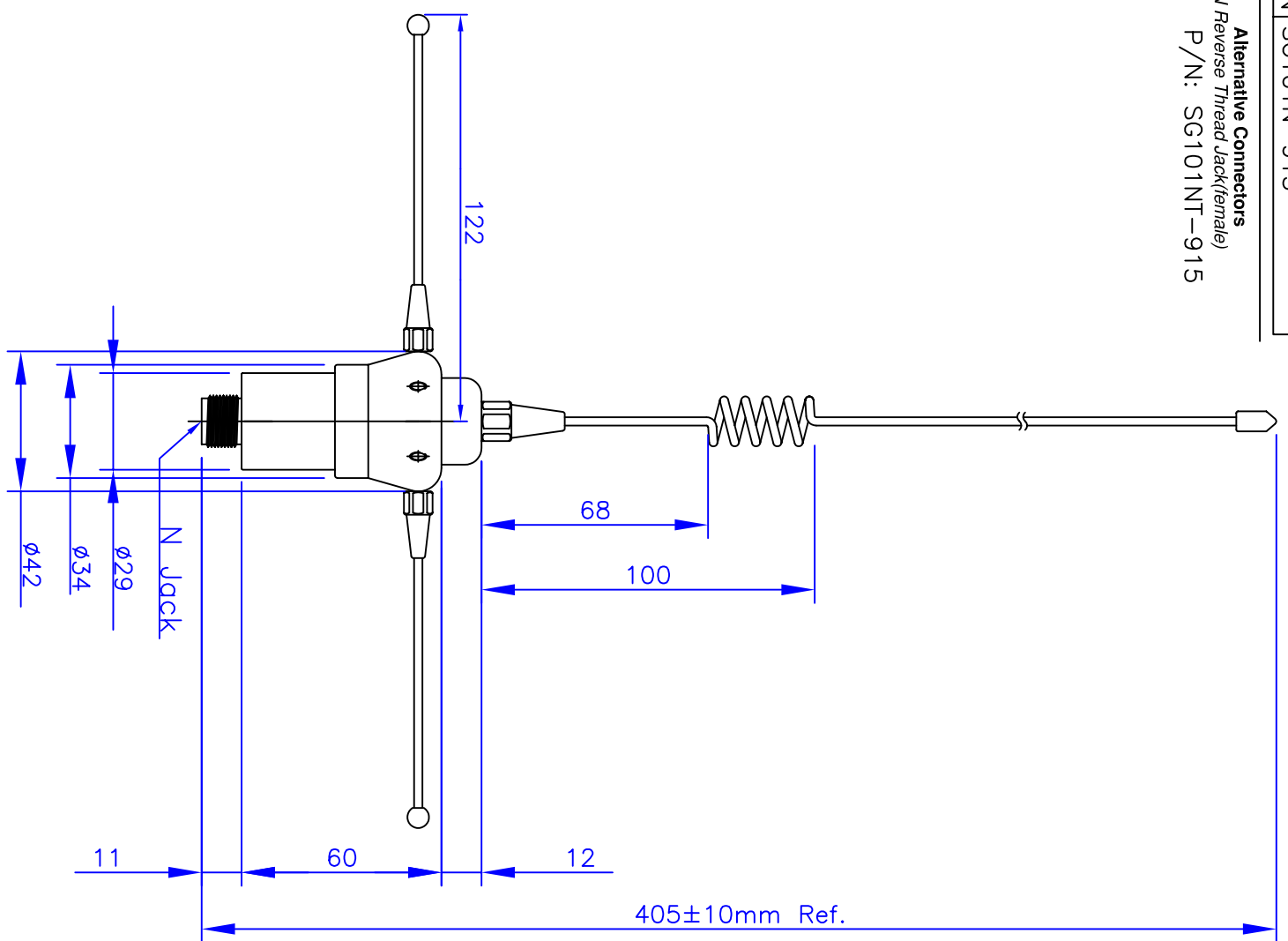


P/N SG101N-915

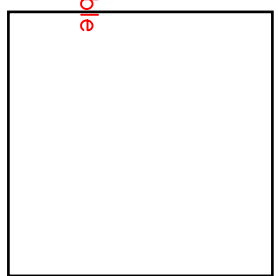
Alternative Connectors  
 N Reverse Thread Jack(Female)  
 P/N: SG101NT-915



Electrical Properties:

Operation Frequency: 902MHz ~ 928MHz  
 Impedance: 50 ohms nominal  
 Gain: 5dBi\*  
 VSWR: < 2.0  
 Radiation: Omni  
 Polarization: Vertical

\*Gain is measured without cable



Mechanical Properties:

Antenna: Base Station Outdoors Application  
 Antenna Whip Length: 16 in. (405±10mm).  
 Connector: N Female connector  
 Mounting base: Zinc Alloy with chrome plated  
 Guided pipe: Aluminum Alloy  
 Mounting hardware included.  
 Cable assembly attached in separate drawings upon request.

TITLE	900MHz Omni Directional Antenna		VER
UNIT	DWG. NO.	SG101N-915	1.0
mm			
SCALE			
1:2			

**NEARSON**

