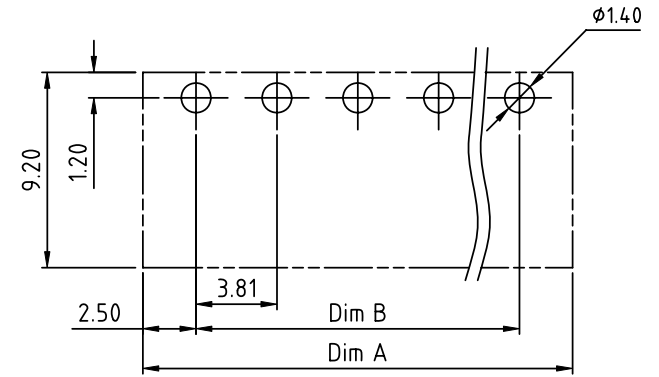
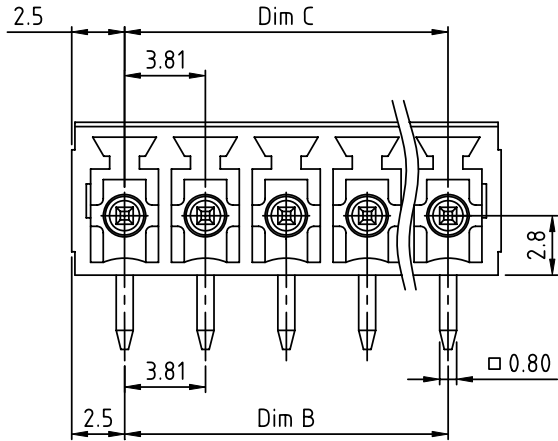
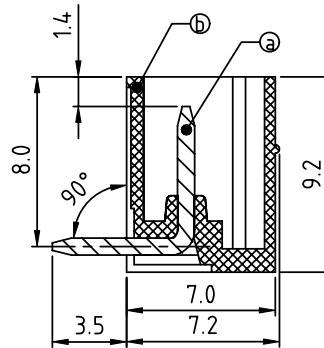
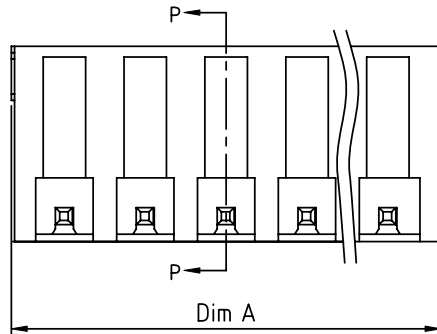


PRODUCT NUMBER	PITCH
OQxx32x100J0G	3.81 mm



RECOMMENDED P.C.B LAYOUT



SECTION P-P

Material:

- Item ① Male contact pin: Copper , Tin plated
- Item ② Terminal housing: Thermoplastic (UL94V-0)

Electrical:

- Voltage rating: 300V/300V
- Current rating: 10A/10.5A
- Withstanding Voltage: 1.6 KV/2.5KV
- Operating temperature: -40°C to +115°C
- Soldering temperature: 260°C±5°C/5 Sec
- Safety Approval:

cULus /VDE

DIMENSION

Dim A	(N-1)×3.81+5.0
Dim B&C	(N-1)×3.81

N= number of poles

Poles	Tolerance
2P-6P	±0.15
7P-12P	±0.20
13P-18P	±0.25
19P-24P	±0.30

PART NO.: OQ xx 3 2 x 1 00J0 G

No. of poles	0 Black (RAL9005)	Body Color	RoHS compliant (lead<4%) In copper Alloy
02 2 poles	2 Red (RAL3001/D)		
03 3 poles	3 Orange(RAL2011/P)		
...	4 Yellow(RAL1018/A)		
24 24 poles	5 Green(RAL6018/T)		
	6 Blue (RAL5015/A)		
	8 Grey(RAL7035/D)		
	9 White(RAL1102)		
	C Green(RAL6018/U)		

mat'l. code		surface ASME Y14.5	tolerance ASME Y14.5	projection	product family
ltr ecn no dr date		tolerances unless otherwise specified			TERMINAL BLOCK
		angles	X.±0.5	MM	title
		X*±1°	X.XX±0.3	scale	TERMINAL BLOCK
		dr HANKE FENG	032714		PLUGGABLE SOCKET,RIGHT ANGLE
		enr HANKE FENG	032714		dwg no
		chr SHI JUN	032714		sheet 1 of 1
		appd SHI JUN	032714		size A4
sheet index	revision sheet	A	1	type	CUSTOMER Drawing