

SPECIFICATIONS

RoHS Compliant

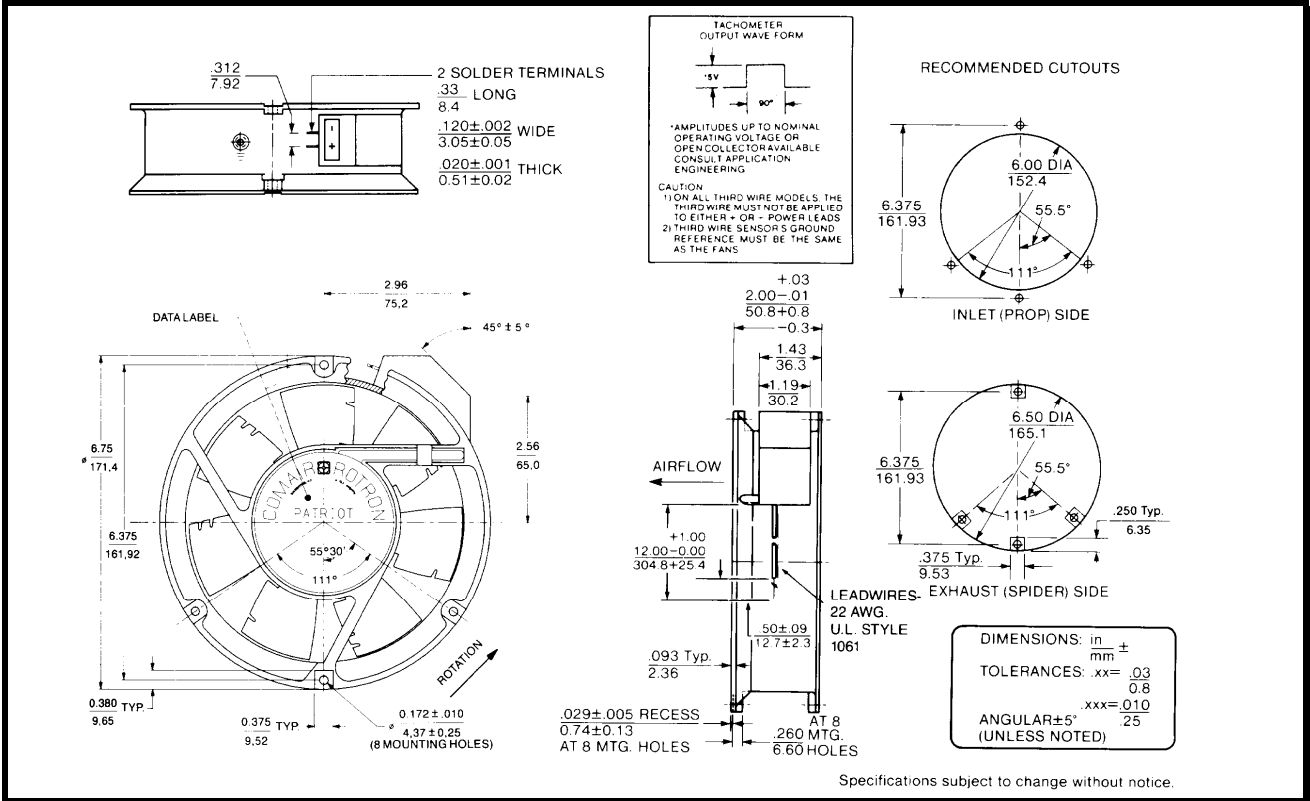


Model Number: PQ24B7

Part Number: 031263

November 10, 2006

Mechanical Drawing:



Motor:

Nominal Voltage	= 24 vdc
Operating Voltage Range	= 12 - 28 vdc
Running Current	= 1.00 amps
Locked Rotor Current	= 2.00 amps
Running Power	= 24 watts
Average Speed	= 3500 RPM
Air Flow	= 235 CFM
Bearings	= Ball
Acoustic	= 51.2 dBA

Construction:

Venturi: Single Piece, Die-Cast Aluminum, Black
 Propeller: Plastic, Black, UL 94V-0

Agency Approvals:

UL, CE

Life Expectancy:

This fan is designed for continuous duty life of 82,500 hours at 50°C.

Features:

- Brushless DC Motor
- Locked Rotor Protection
- Automatic Restart Capability
- Polarity Protected
- Operating Temperature: -10°C to 70°C
- Storage Temperature: -40°C to 85°C

Tachometer Specifications:

Output:	5 volt TTL Compatible
I _c :	5 vdc Typical
Pulses Per Revolution:	2
Isolated:	No

Termination:

12" Lead-wires, AWG 22, UL 1061	
Red:	= Power (+)
Black:	= Return (-)
Blue/White:	= Tachometer (Output)