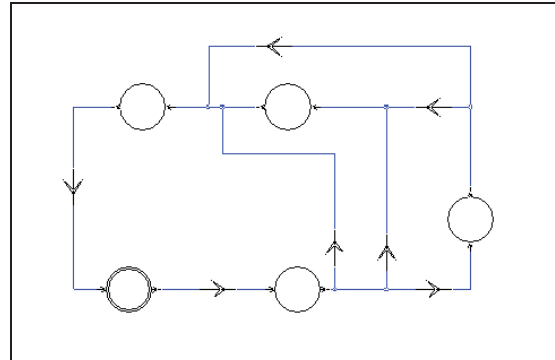


## STREALIZER-II development software

Data brief

### Features

- Project manager featuring enhanced libraries, wide range of symbols for accessing all peripheral control registers, hardware interrupts and real-time management
- Automatic generation of code including assembly source, simulation files and machine code (S19, HEX)
- Simulator with graphic interface for code testing and debugging with pin-level simulation
- Support for low-power modes



### Description

STREALIZER-II is a special edition of Actum Solutions' Realizer® development software for the ST7 and ST6 microcontroller families. This graphics-oriented tool allows developers to create applications for ST7 and ST6 devices without having to learn or write a single line of assembly or C code. Simply draw a diagram of the application using a library of symbols that represent product functions and the symbols are wired together into an application flowchart, which Realizer then translates into assembly code.

# 1 Ordering information

**Table 1. Device summary**

Order code	Reference
STREALIZER-II	Special ST edition of Realizer for ST7 and ST6. STREALIZER-II does not include product support. Fully supported versions with highly optimized performance are available from Actum Solutions.

Realizer® supporting ST microcontrollers are available from Actum Solutions in the editions listed below. Please contact Actum Solutions for ordering and pricing information.

Realizer Evaluation edition: designs allow up to 15 symbols

Realizer Gold: unlimited symbols, limited code optimization, service and support packs available

Realizer Silver: unlimited symbols, all optimizations (speed, code size, variables, dead code), service and support packs available

## 2 Revision history

Table 2. Document revision history

Date	Revision	Changes
12-Nov-2010	1	Initial release.

**Please Read Carefully:**

Information in this document is provided solely in connection with ST products. STMicroelectronics NV and its subsidiaries ("ST") reserve the right to make changes, corrections, modifications or improvements, to this document, and the products and services described herein at any time, without notice.

All ST products are sold pursuant to ST's terms and conditions of sale.

Purchasers are solely responsible for the choice, selection and use of the ST products and services described herein, and ST assumes no liability whatsoever relating to the choice, selection or use of the ST products and services described herein.

No license, express or implied, by estoppel or otherwise, to any intellectual property rights is granted under this document. If any part of this document refers to any third party products or services it shall not be deemed a license grant by ST for the use of such third party products or services, or any intellectual property contained therein or considered as a warranty covering the use in any manner whatsoever of such third party products or services or any intellectual property contained therein.

**UNLESS OTHERWISE SET FORTH IN ST'S TERMS AND CONDITIONS OF SALE ST DISCLAIMS ANY EXPRESS OR IMPLIED WARRANTY WITH RESPECT TO THE USE AND/OR SALE OF ST PRODUCTS INCLUDING WITHOUT LIMITATION IMPLIED WARRANTIES OF MERCHANTABILITY, FITNESS FOR A PARTICULAR PURPOSE (AND THEIR EQUIVALENTS UNDER THE LAWS OF ANY JURISDICTION), OR INFRINGEMENT OF ANY PATENT, COPYRIGHT OR OTHER INTELLECTUAL PROPERTY RIGHT.**

**UNLESS EXPRESSLY APPROVED IN WRITING BY AN AUTHORIZED ST REPRESENTATIVE, ST PRODUCTS ARE NOT RECOMMENDED, AUTHORIZED OR WARRANTED FOR USE IN MILITARY, AIR CRAFT, SPACE, LIFE SAVING, OR LIFE SUSTAINING APPLICATIONS, NOR IN PRODUCTS OR SYSTEMS WHERE FAILURE OR MALFUNCTION MAY RESULT IN PERSONAL INJURY, DEATH, OR SEVERE PROPERTY OR ENVIRONMENTAL DAMAGE. ST PRODUCTS WHICH ARE NOT SPECIFIED AS "AUTOMOTIVE GRADE" MAY ONLY BE USED IN AUTOMOTIVE APPLICATIONS AT USER'S OWN RISK.**

Resale of ST products with provisions different from the statements and/or technical features set forth in this document shall immediately void any warranty granted by ST for the ST product or service described herein and shall not create or extend in any manner whatsoever, any liability of ST.

ST and the ST logo are trademarks or registered trademarks of ST in various countries.

Information in this document supersedes and replaces all information previously supplied.

The ST logo is a registered trademark of STMicroelectronics. All other names are the property of their respective owners.

© 2010 STMicroelectronics - All rights reserved

STMicroelectronics group of companies

Australia - Belgium - Brazil - Canada - China - Czech Republic - Finland - France - Germany - Hong Kong - India - Israel - Italy - Japan - Malaysia - Malta - Morocco - Philippines - Singapore - Spain - Sweden - Switzerland - United Kingdom - United States of America

[www.st.com](http://www.st.com)