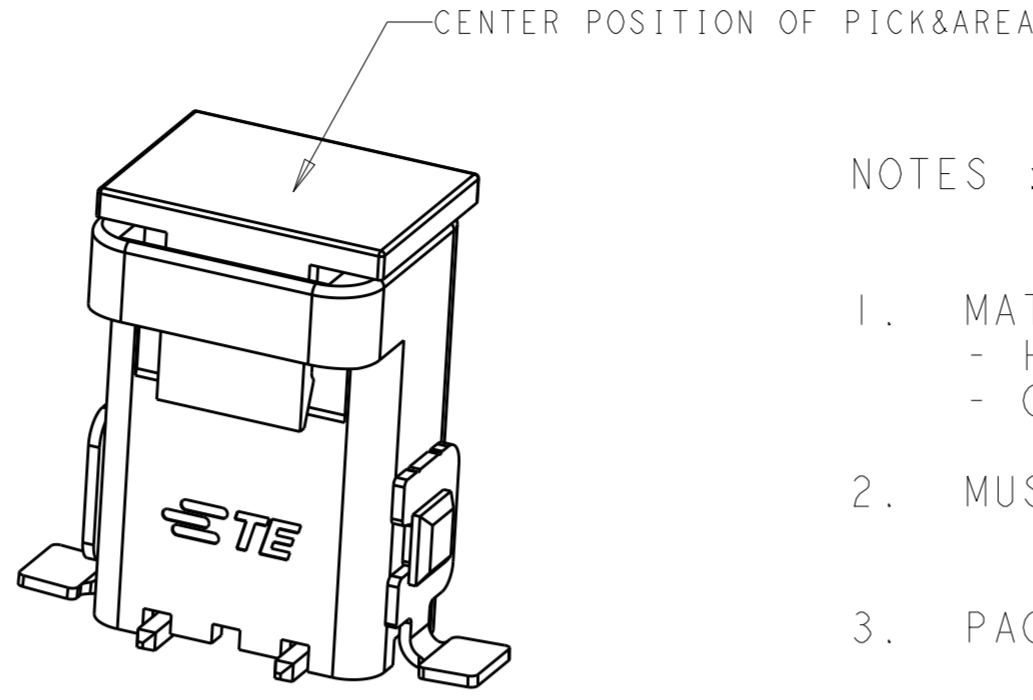
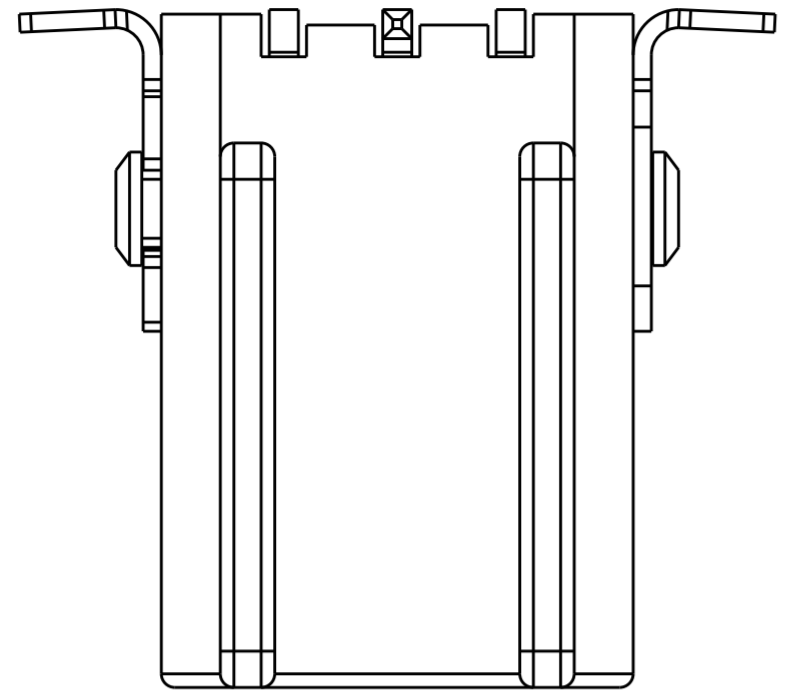
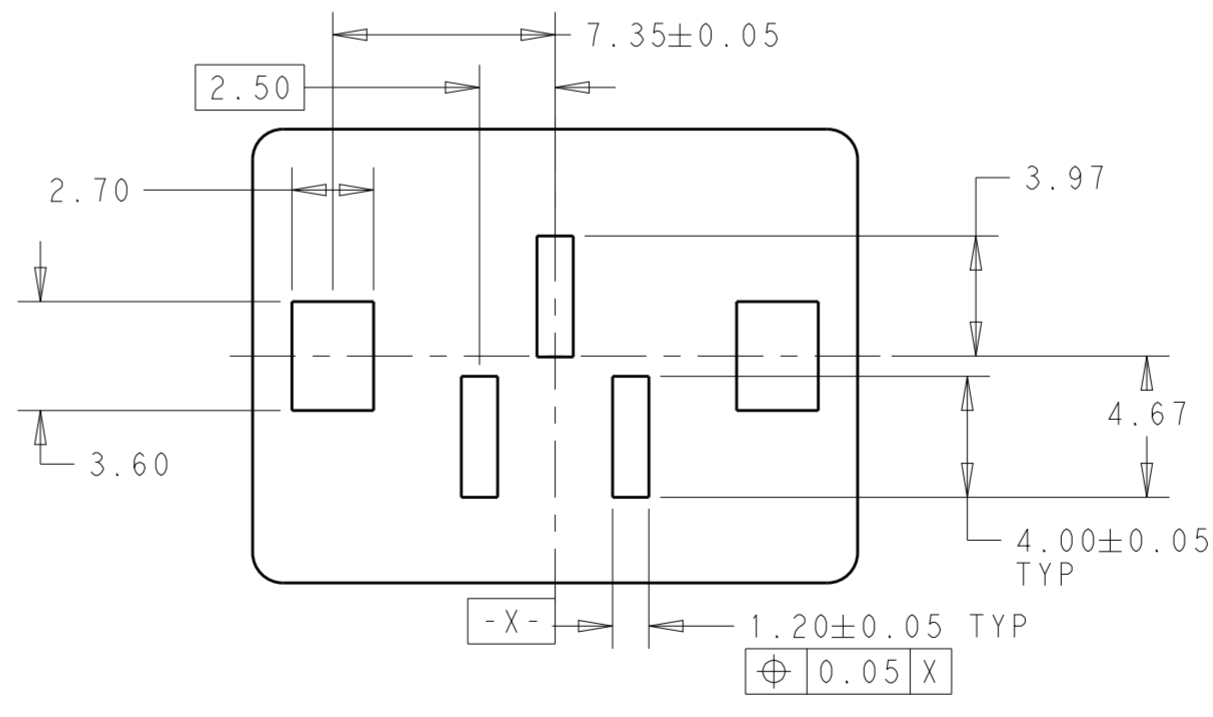
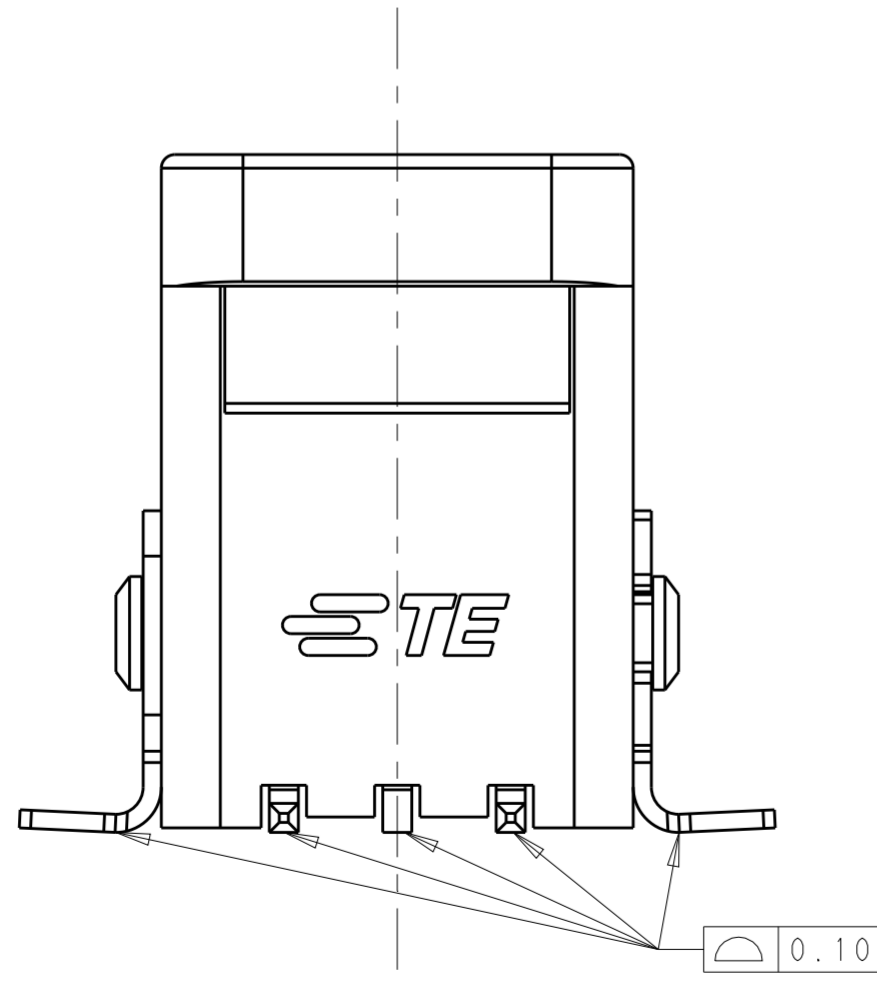
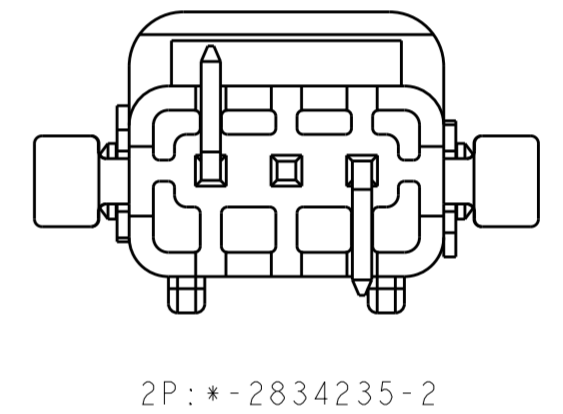
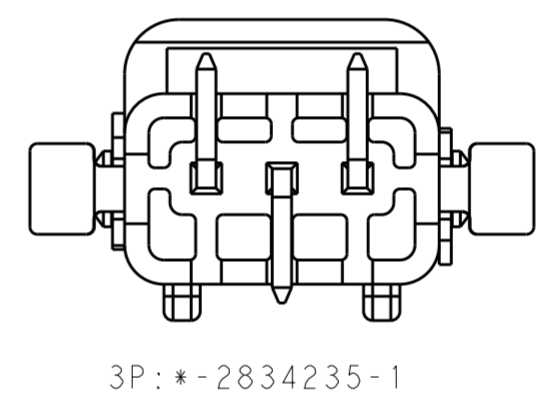
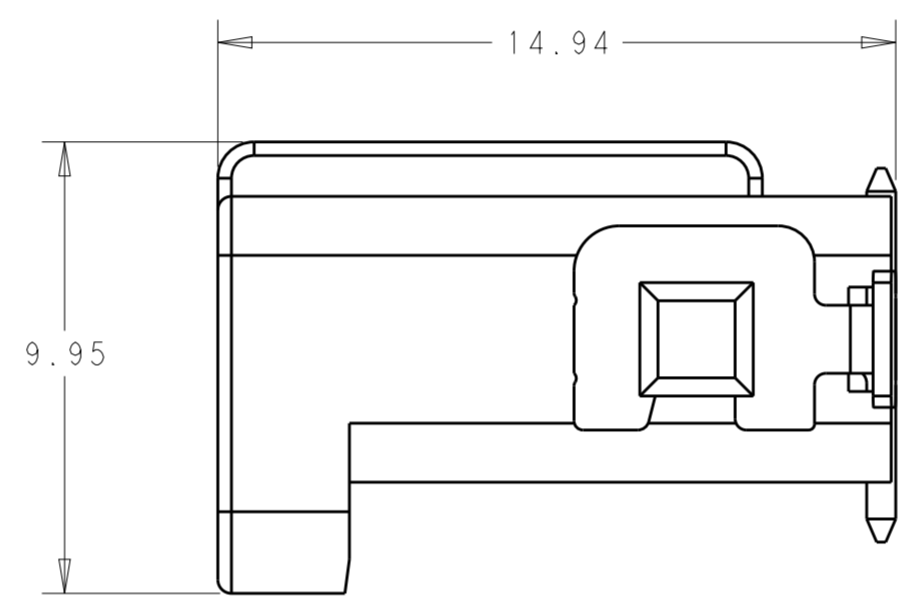
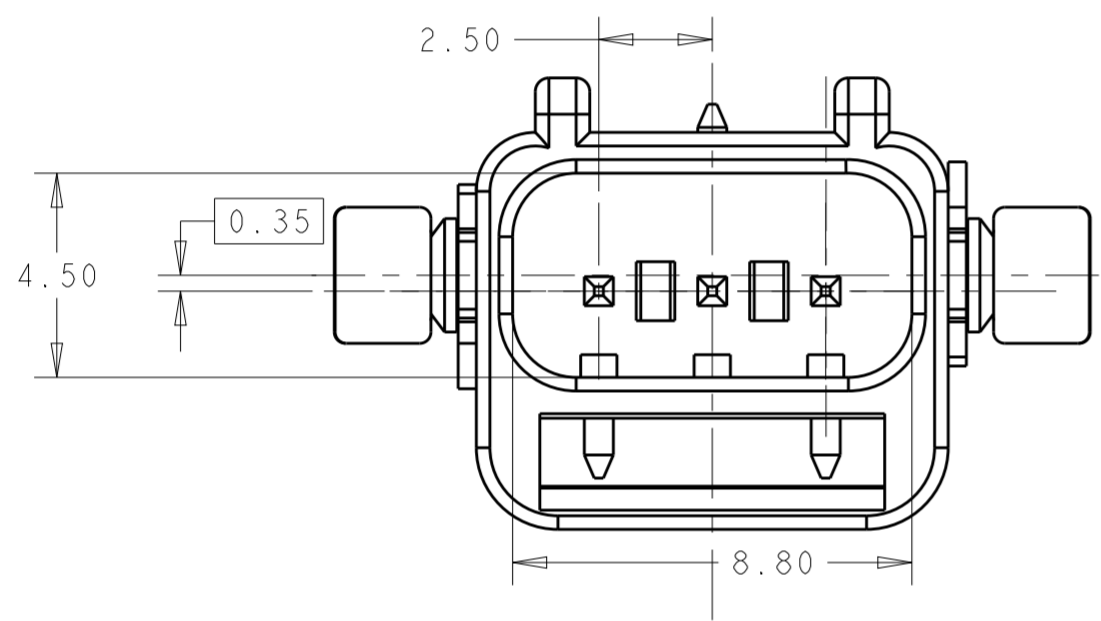


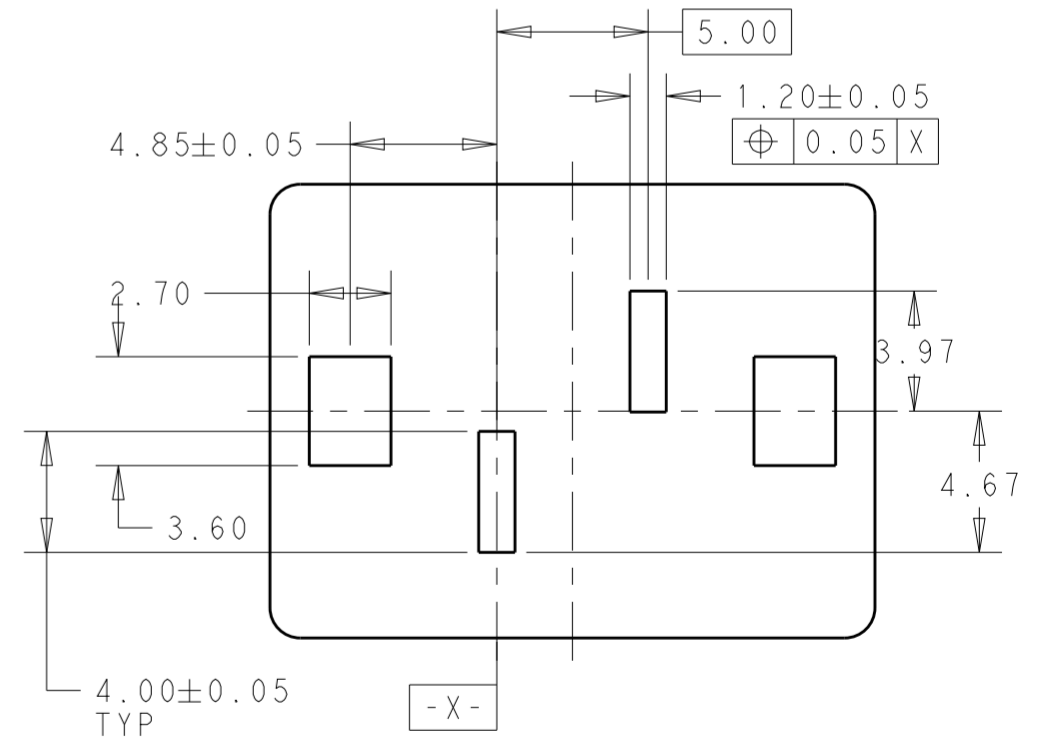
REVISIONS					
P	LTR	DESCRIPTION	DATE	DWN	APVD
A		FIRST VERSION	11APR2017	G.F	S.M
A1		UPDATE THE PAD WIDTH TO 1.20mm	26MAY2017	G.F	S.M
A2		ECR-17-015236 UPDATE PART NO	16OCT2017	G.F	S.M
A3		ECR-18-009817 ADD CAP	31MAY2018	G.F	S.M



- NOTES :
- MATERIALS AND FINISH:
 - HOUSING: LCP
 - CONTACTS: COPPER ALLOY, FINISH: TIN OVER NICKEL UNDERPLATE
 - MUST COMPLY WITH DIRECTIVE 2002/95/EC (ROHS)
 - PACKAGED IN TAPE AND REEL



3P LAYOUT FOR *-2834235-1



2P LAYOUT FOR *-2834235-2

BLACK	2-2834235-2	2P
NATURAL	1-2834235-2	
BLACK	2-2834235-1	3P
NATURAL	1-2834235-1	
COLOR	P/N	POSITION

SCALE 6:1

THIS DRAWING IS A CONTROLLED DOCUMENT.		DWN GEORGE FU 16OCT2017	TE Connectivity	
DIMENSIONS: mm		CHK GEORGE FU 16OCT2017		
TOLERANCES UNLESS OTHERWISE SPECIFIED:		APVD SHI MING 16OCT2017	NAME 2.5MM VERTICAL SMT TYPE	
0 PLC ±		PRODUCT SPEC 108-137266	WTB CONNECTOR	
1 PLC ±0.2		APPLICATION SPEC 114-137266	SIZE A2	CAGE CODE -
2 PLC ±0.15		WEIGHT -	DRAWING NO C-2834235	RESTRICTED TO
3 PLC ±		CUSTOMER DRAWING	SCALE 5:1	SHEET 1 OF 1
4 PLC ±				REV A3
ANGLES ±				
FINISH				