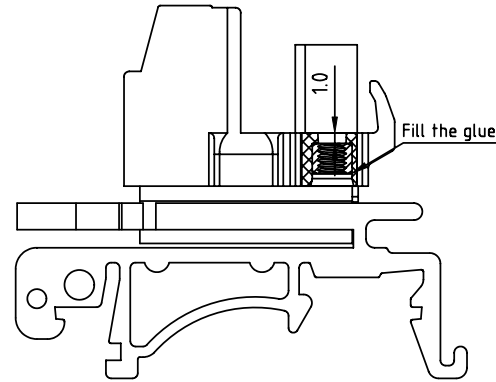
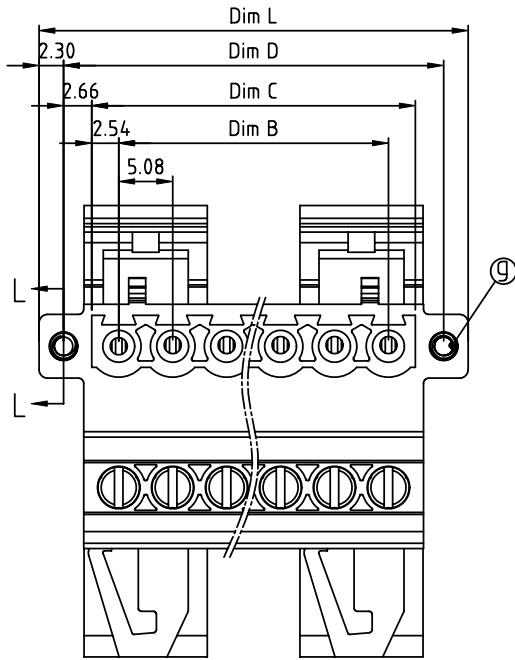
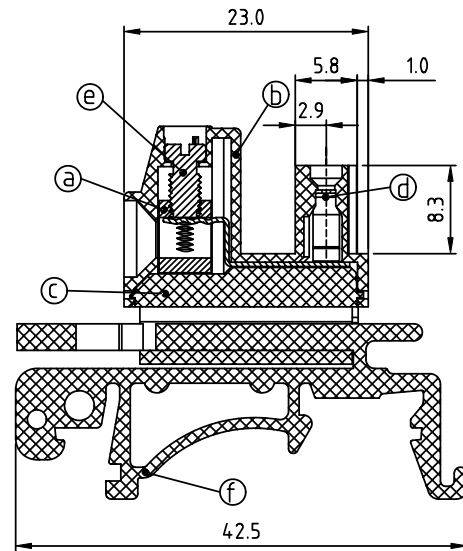
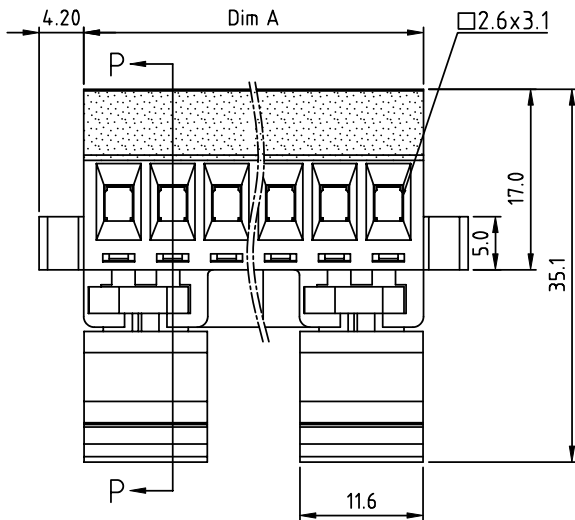


PRODUCT NUMBER	PITCH
V9xx51x500J0G	5.08 mm



SECTION L-L



SECTION P-P

Dimension

Dim L	$(N-1) \times 5.08 + 15.0$
Dim A	$(N-1) \times 5.08 + 6.6$
Dim B	$(N-1) \times 5.08$
Dim C	$N \times 5.08$
Dim D	$(N-1) \times 5.08 + 10.4$

N=Number of poles

Poles	Tolerance
2P - 6P	± 0.15
7P - 12P	± 0.20
13P - 18P	± 0.30
19P - 24P	± 0.40

PART NO.: V9 xx 51 x 5 00J0 G

	Color	RoHS compliant
Solid block	0 Black (RAL9005)	(lead<4%)
No. of poles	2 Red (RAL3001/D)	In copper Alloy
02 2 poles	3 Orange(RAL2011/P)	
03 3 poles	4 Yellow(RAL1018/A)	
...	5 Green(RAL6018/T)	
24 24 poles	6 Blue (RAL5015/A)	
	8 Grey(RAL7035/D)	
	9 White(RAL1102)	
	C Green(RAL6018/U)	

Material:

- Item ⑨ Clamp: Brass Ni plated
- Item ⑥ Terminal (housing): Thermoplastic (UL94V-0)
- Item ⑦ Terminal (Cover): Thermoplastic (UL94V-0)
- Item ⑧ Male contact: PhBz, Tin plated.
- Item ⑩ Terminal screw: Steel Zinc plating " - " slot type
- Item ⑪ Terminal(track): Thermoplastic (UL94V-0)
- Item ⑫ With flange nut: Brass M2.5

Electrical:

- Voltage rating:300V
- Current rating: 12A
- Wire range:
- Solid wire(AWG):12-30
- Stranded wire(AWG):12-30
- Torque:5.2Lb-In.
- Screw:M3
- Wire strip length: 6-7 mm
- Withstanding Voltage: 1.6KV
- Operating temperature:-40°C to +115°C
- Safety Approval:

mat'l. code		surface ASME Y14.5	tolerance ASME Y14.5	projection 	product family TERMINAL BLOCK
ltr ecn no dr date		tolerances unless otherwise specified		MM	title TERMINAL BLOCK PLUGGABLE PLUG, WITH FLANGE DINRAIL MOUNTING, B TYPE
angles		X.±0.5	X.X±0.3	scale	dwg no V9xx51x500J0G
X*±1"		X.XX±0.1		FCI	sheet 1 of 1 size A4
dr	EVIN ZHONG	050414			type CUSTOMER Drawing
enr	EVIN ZHONG	050414			
chr	HANKE FENG	050414			
appd	SHI JUN	050414			
sheet index	revision sheet	A	1		