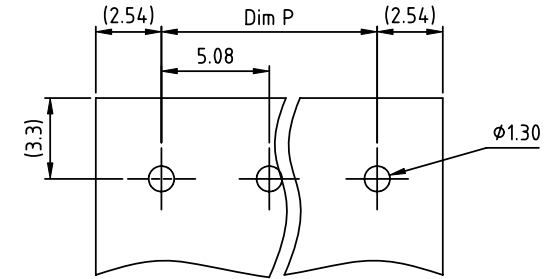
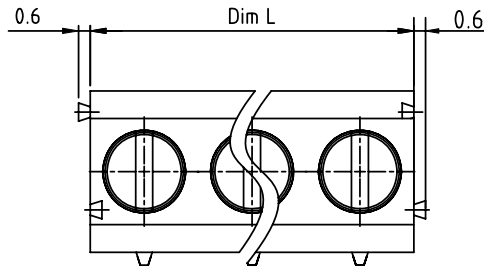
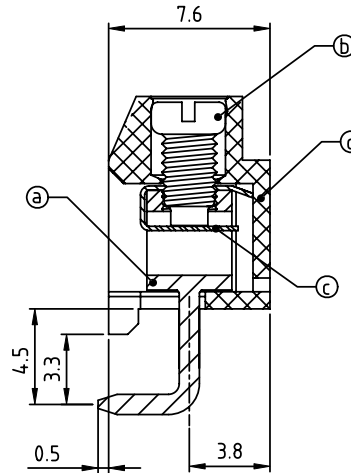
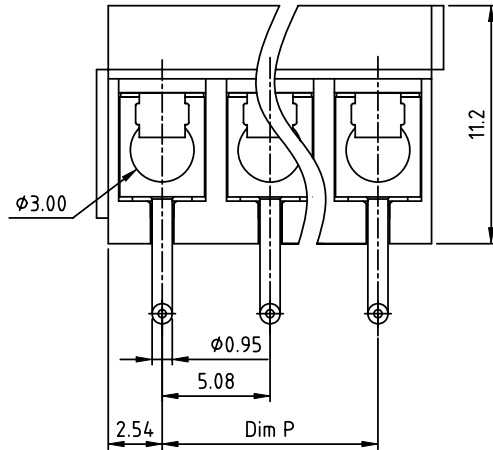


PRODUCT NUMBER	PITCH
T9xx21x000J0G	5.08 mm



RECOMMENDED P.C.B LAYOUT
TOP VIEW



- Material:
- Item a Terminal body(metal housing): Brass(CuZn),Tin plated
 - Item b Terminal screw: Steel Zinc plating "-" slot type
 - Item c Wire guard: Stainless steel
 - Item d Insulator (housing): Thermoplastic (UL94V-0)

- Electrical:
- Voltage rating: 300V
 - Current rating: 15A
 - Wire range:
 - Solid wire(AWG): 14-24
 - Stranded wire(AWG): 14-24
 - Torque(Lb-In): 3.2
 - Screw: M2.6
 - Wire strip length: 5-6mm
 - Withstanding Voltage: 1.6KV
 - Operating temperature: -40°C to +115°C
 - Soldering temperature: 260°C ±5°C/5 Sec
 - Safety Approval: cULus

N = Number of poles
Dim L=Nx5.08
Dim P=(N-1)x5.08

Poles	Tolerance
2-6p	±0.15
7-12p	±0.30
13-18p	±0.35
19-24p	±0.40

PART NO.: T9 xx 21 x 0 00J0 G

- | | | | | | |
|---------------|----------|------------|---------------------|-----------------|-----------|
| End stackable | 0 | Body Color | Black (RAL9005) | RoHS compliant | (lead<4%) |
| No. of poles | 2 | | Red (RAL3001/D) | In copper Alloy | |
| 02 | 2 poles | | 3 Orange(RAL2011/P) | | |
| 03 | 3 poles | | 4 Yellow(RAL1018/A) | | |
| ... | ... | | 5 Green(RAL6018/T) | | |
| 24 | 24 poles | | 6 Blue (RAL5015/A) | | |
| | | | 8 Grey(RAL7035/D) | | |
| | | | 9 White(RAL1102) | | |
| | | | C Green(RAL6018/U) | | |

mat'l. code		surface ASME Y14.5	tolerance ASME Y14.5	projection 	product family TERMINAL BLOCK
ltr	ecn no	dr	date	tolerances unless otherwise specified	title TERMINAL BLOCK
				angles 	scale WIRE PROTECTOR,90D WIRE INLET
				X±0.5	dwg no T9xx21x000J0G
				X.X±0.3	sheet 1 of 1
				X*±1*	size A4
				X.XX±0.1	type CUSTOMER Drawing
dr	EVIN ZHONG	040114			
enr	EVIN ZHONG	040114			
chr	HANKE FENG	040114			
appd	SHI JUN	040114			
sheet index	revision sheet	A	1		