



## A Tallysman Accutenna® TW2920 Wideband GPS/GLONASS/BeiDou/Galileo + L-Band Antenna

The TW2920 is an Accutenna technology antenna that covers GPS L1, GLONASS G1, BeiDou B1, Galileo E1, SBAS (WAAS, EGNOS, GAGAN, & MSAS) and the down-link L-Band (1525 – 1559MHz). The TW2920 provides superior multi-path signal rejection, a linear phase response, and tight Phase Centre Variation (PCV). This antenna is ideal for precision agriculture, autonomous vehicle tracking and guidance, and other applications where precision matters.

The TW2920 features a dual-feed wideband patch element, plus a low-loss pre-filter followed by a three stage Low Noise Amplifier (LNA) including an additional mid-section SAW. This configuration provides excellent axial ratio across the full frequency band and strong protection against high level sub-harmonic signals like LTE and near frequency signals such as WiFi.

The TW2920 has a compact, robust, magnetic mount housing with a metal base and a UV resistant, tough wide temperature range plastic radome, and is available with a variety of connectors. The housing includes a screw down option, and is available with an adhesive attachment, without a magnet,

The TW2920 is also available with an “armoured” cable option, with the cable encased in tough corrugated conduit having a temperature range of -40 to +120C, excellent chemical resistance, stable bending, high cold impact strength, and UL94HB flammability standard compliant.

### Applications

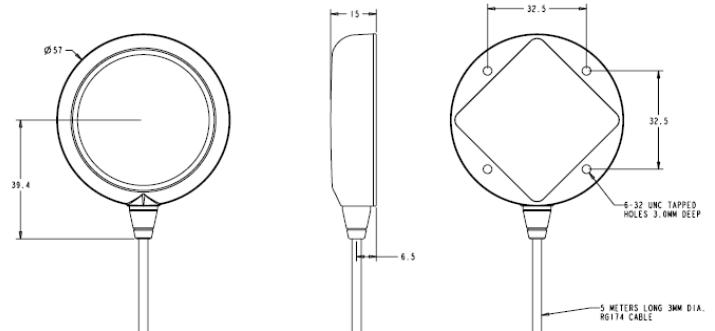
- High Accuracy & Mission Critical GNSS
- Precision Agriculture, Mining & Construction
- Military & Security

### Features

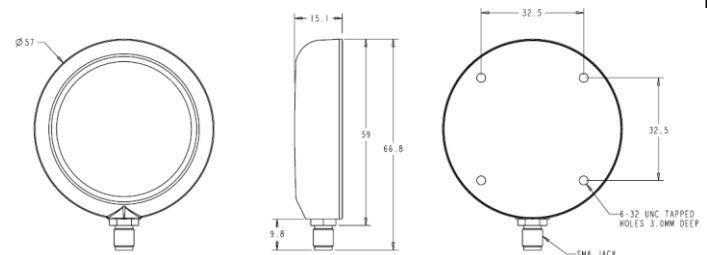
- Low loss Great axial ratio: 1 typ., 3 dB max
- Low noise LNA: ≤2.5 dB (including pre-filter)
- High rejection SAW filter
- Wide voltage input range: 2.5 to 16 VDC
- IP67 weather proof housing
- Economical price



Dimensions (mm)



Dimensions (mm)



### Benefits

- Excellent multipath rejection
- Increased system accuracy
- Excellent signal to noise ratio
- Great out of band signal rejection
- Ideal for harsh environments
- RoHS and REACH compliant



## TW2920 Pre-filtered GPS/GLONASS/BeiDou/Galileo + L-Band Antenna Specifications $V_{cc} = 3V$ , over full bandwidth, $T=25^{\circ}C$

### Antenna

Architecture	Dual Feed Patch, Quadrature Feeds
1 dB Bandwidth	85 MHz
Antenna Zenith Gain (with 100mm ground plane)	4.25 dBic
Axial Ratio over Bandwidth @zenith	1 dB typ,

### Electrical

Architecture	Pre-filter ->LNA ->SAW filter-> 2 stage LNA
Filtered LNA Frequency Bandwidth	1510 to 1610 MHz
Polarization	RHCP
LNA Gain	32 dB min., 1510 to 1610 MHz
Gain flatness	+/- 2 dB, 1510 to 1610 MHz
Out-of-Band Rejection <1465 MHz	>30 dB
>1700 MHz	>55 dB
VSWR (at LNA output)	<1.5:1 typ. 1.8:1 max.
Noise Figure	$\leq 2.5$ dB typ.
Supply Voltage Range (over coaxial cable)	+2.5 to 16 VDC nominal (12VDC recommended maximum)
Supply Current	18 mA typ, 25mA Q max (85°C).
ESD Circuit Protection	15 KV air discharge

### Mechanicals & Environmental

Mechanical Size	57 mm dia. x 15 mm H
Cable	RG174
Operating Temp. Range	-40 to +85 °C
Enclosure	Radome: EXL9330, Base: Zamak white metal
Weight	100 g (+13g /m of cable)
Attachment Method	Magnet or permanent (pre-tapped 4 x 6-32 UNC)
Environmental	IP67, REACH, RED, and RoHS compliant
Shock	Vertical axis: 50 G, other axes: 30 G
Vibration	3 axis, sweep = 15 min, 10 to 200 Hz sweep: 3 G

### Ordering Information

TW2920 – Pre-filtered Single Band GNSS antenna: 33-2920-xx-yyy

Where xx = connector type and yyyy = cable length in mm

Please refer to the Ordering Guide (<http://www.tallysman.com/wp-content/uploads/Current-Ordering-Guide.pdf>) for the current and complete list of available connectors.



36 Steacie Drive, Ottawa ON K2K 2A9 Canada

Tel 613 591 3131

Fax 613 591 3121

[sales@tallysman.com](mailto:sales@tallysman.com)

The information provided herein is intended as a guide only and is subject to change without notice. This document is not to be regarded as a guarantee of performance. Tallysman Wireless Inc. hereby disclaims any or all warranties and liabilities of any kind. © 2015 Tallysman Wireless Inc. All rights reserved.

Rev 1.2