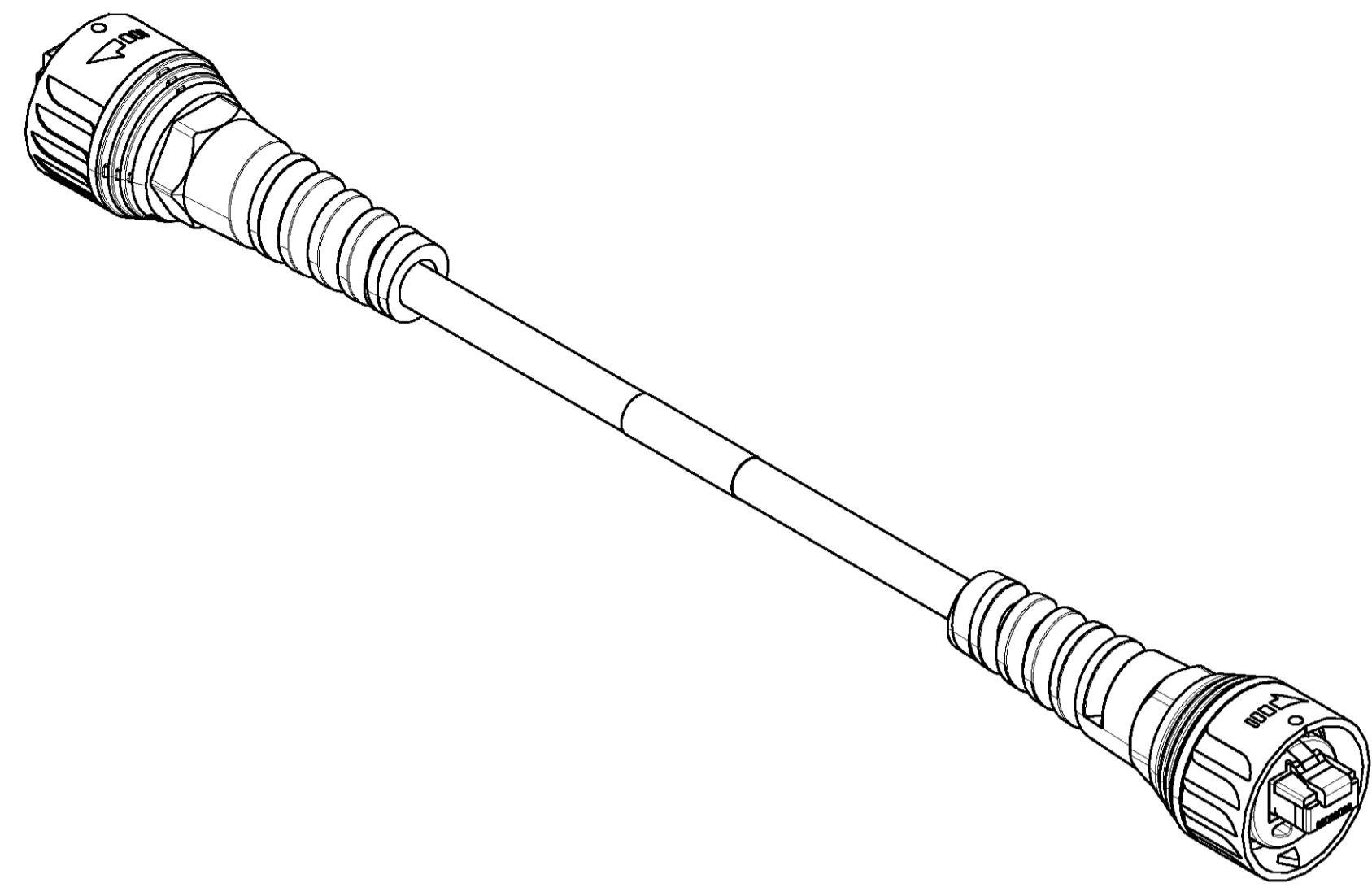
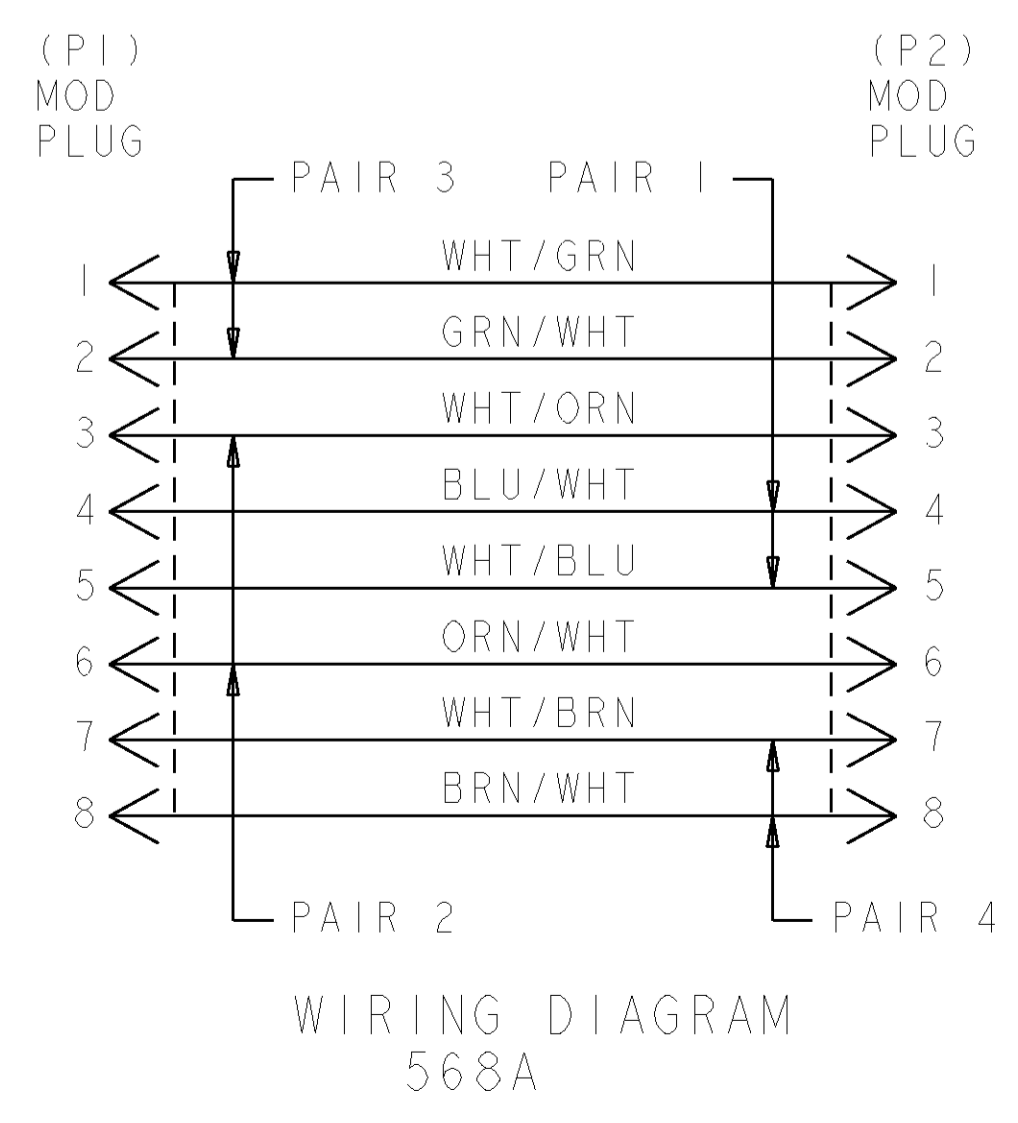
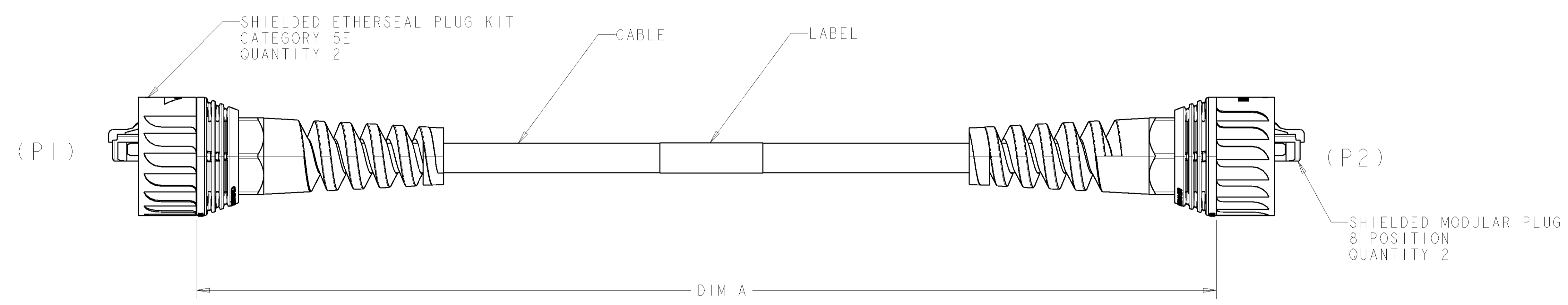


LOC		DIST		REVISIONS			
P	LTR	DESCRIPTION	DATE	DWN	APVD		
A		RLSD: NSD03-081	06JAN04	GG	LS		
B		REV: ECR-05-000041	28JAN2005	GG	CC		
B1		REV: ECO-05-013889	01DEC2005	JM	CC		



SCALE 1:1

- ONE CABLE PACKAGED IN A CLEAR POLYBAG.
- △ DIMENSIONS ARE MAXIMUM UNLESS OTHERWISE SPECIFIED.
- CABLE, MODERATE NOISE ETHERSEAL PATCH, 24 AWG 7/32. CABLE MEETS UL 62 SECTION 59 OIL RESISTANCE. UL 444 SECTION 6.12 UV EXPOSURE, TIA/EIA 568 B.2.
- DESIGNATIONS IN PARENTHESES () ARE FOR REFERENCE ONLY.
- AN ALTERNATE FORM OF CONNECTOR COMPONENTS RESULTING IN EQUIVALENT PERFORMANCE IS ACCEPTABLE.



FEET, REF	DIM A	PART NO.
60	18440.4 (726.00)	6-1479603-0
50	15392.4 (606.00)	5-1479603-0
40	12344.4 (486.00)	4-1479603-0
30	9296.4 (366.00)	3-1479603-0
25	7721.6 (304.00)	2-1479603-5
20	6197.6 (244.00)	2-1479603-0
15	4699.0 (185.00)	1-1479603-5
10	3175.0 (125.00)	1-1479603-0
7	2209.8 (87.00)	1479603-7
5	1600.2 (63.00)	1479603-5
3	990.6 (39.00)	1479603-3

DIMENSIONS: MM [INCHES] 		TOLERANCES UNLESS OTHERWISE SPECIFIED: 0 PLC ± 1 PLC ± 2 PLC ± 3 PLC ± 4 PLC ± ANGLES ± FINISH ±		DIMENSIONS: 06 JAN 04 ESK GARRETT 06 JAN 04 L SIMPSON 06 JAN 05 APVD SIMPSON 06 JAN 05		tyco Tyco Electronics Electronics Harrisburg, PA 17105-3608	
MATERIAL: - FINISH: -		WEIGHT: - CUSTOMER DRAWING		NAME: CABLE ASSEMBLY, ETHERSEAL CAT5E PLUG TO ETHERSEAL CAT5E PLUG, SCTP PRODUCT SPEC: - APPLICATION SPEC: - SIZE: A1 CAGE CODE: 00779 DRAWING NO: 1479603		RESTRICTED TO: - SCALE: 3:2 SHEET: 1 OF 1 REV: B1	