

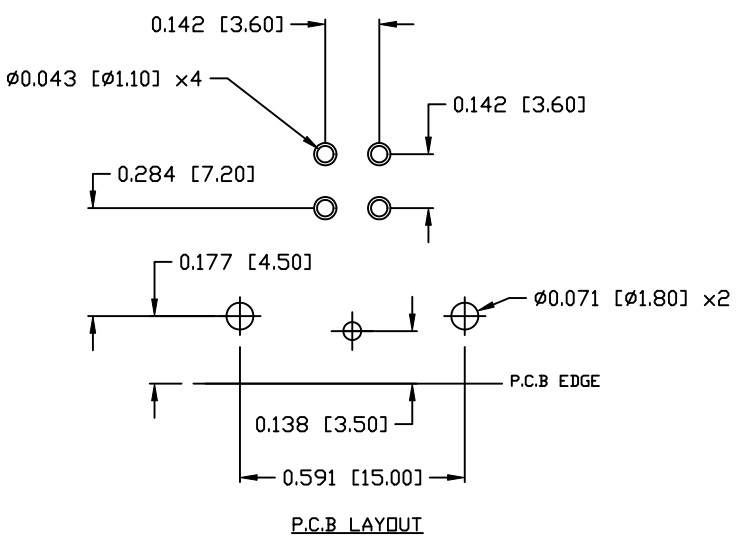
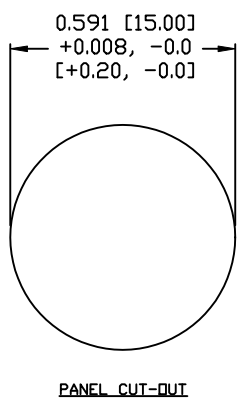
DESCRIPTION: M12 FEMALE - R/A - PANEL MOUNT (REAR) - PCB - 4 POS. - D-CODE

NOTE:

MATERIAL  
 HOUSING: PBT UL94V-0, BLACK  
 CONTACT: BRASS  
 NUT: BRASS  
 O-RING: EPDM, BLACK  
 BACK HOUSING: PBT, UL94V-0, BLACK  
 DOWN HOUSING: PBT, UL94V-0, BLACK

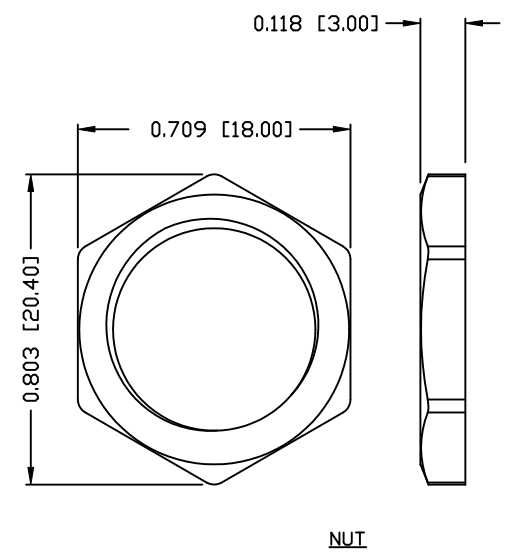
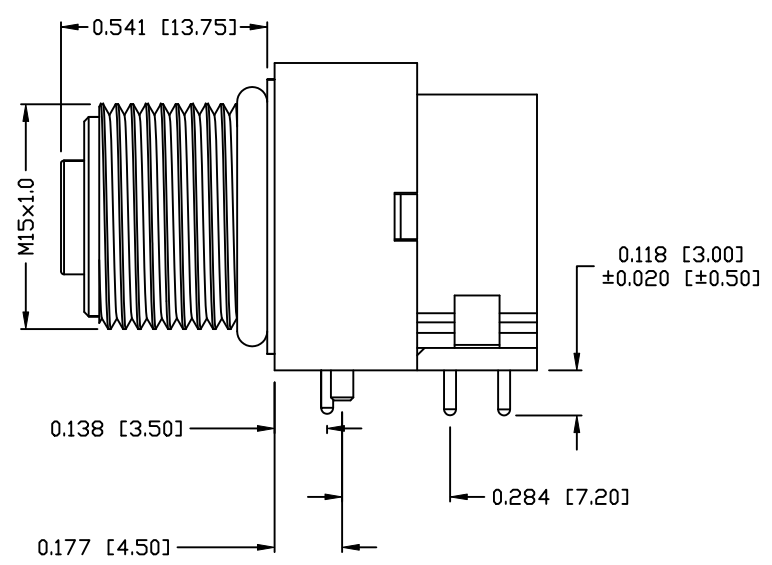
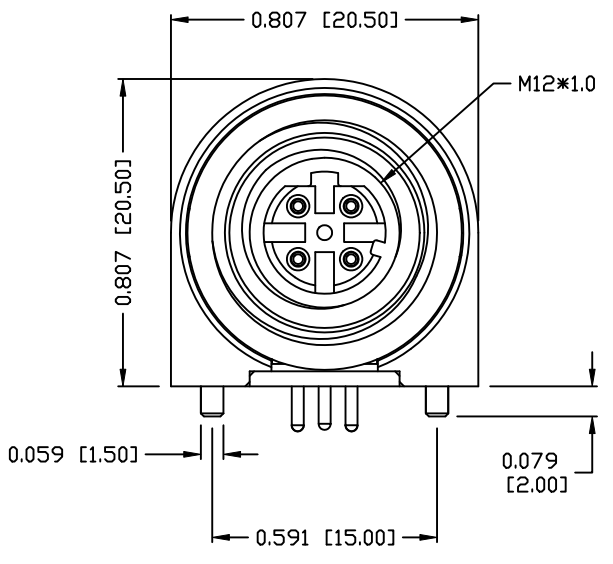
FINISH  
 CONTACT: GOLD PLATED  
 NUT: NICKEL PLATED  
 60µ TO 100µ  
 SHELL: NICKEL PLATED  
 60µ TO 100µ

ELECTRICAL  
 RATED CURRENT: 5A  
 RATED VOLTAGE: 125V  
 INSULATION RESISTANCE: 100 MΩhms MIN.  
 CONTACT RESISTANCE: 10 MΩhms MAX.  
 WATER PROOF: IP67  
 ENVIRONMENT  
 OPERATION TEMPERATURE: -40°C TO +85°C



861-D04-213R00Y

1 = GOLD FLASH  
 4 = 10µ" GOLD



RoHS COMPLIANT

DO NOT SCALE FROM DRAWING



THESE DRAWINGS AND SPECIFICATIONS ARE THE PROPERTY OF NorComp AND SHALL NOT BE REPRODUCED, COPIED OR USED AS THE BASIS FOR THE MANUFACTURE OR SALE OF APPARATUS WITHOUT WRITTEN PERMISSION.

DRAWN: M. SIGMON DATE: 07-26-16  
 CHECKED: DATE:

NorComp

SCALE: N.T.S. SHEET 1 OF 1 REV 1  
 DWG NO. 861-D04-213R00Y