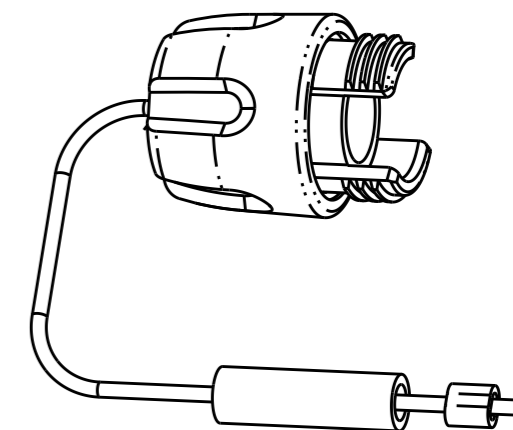
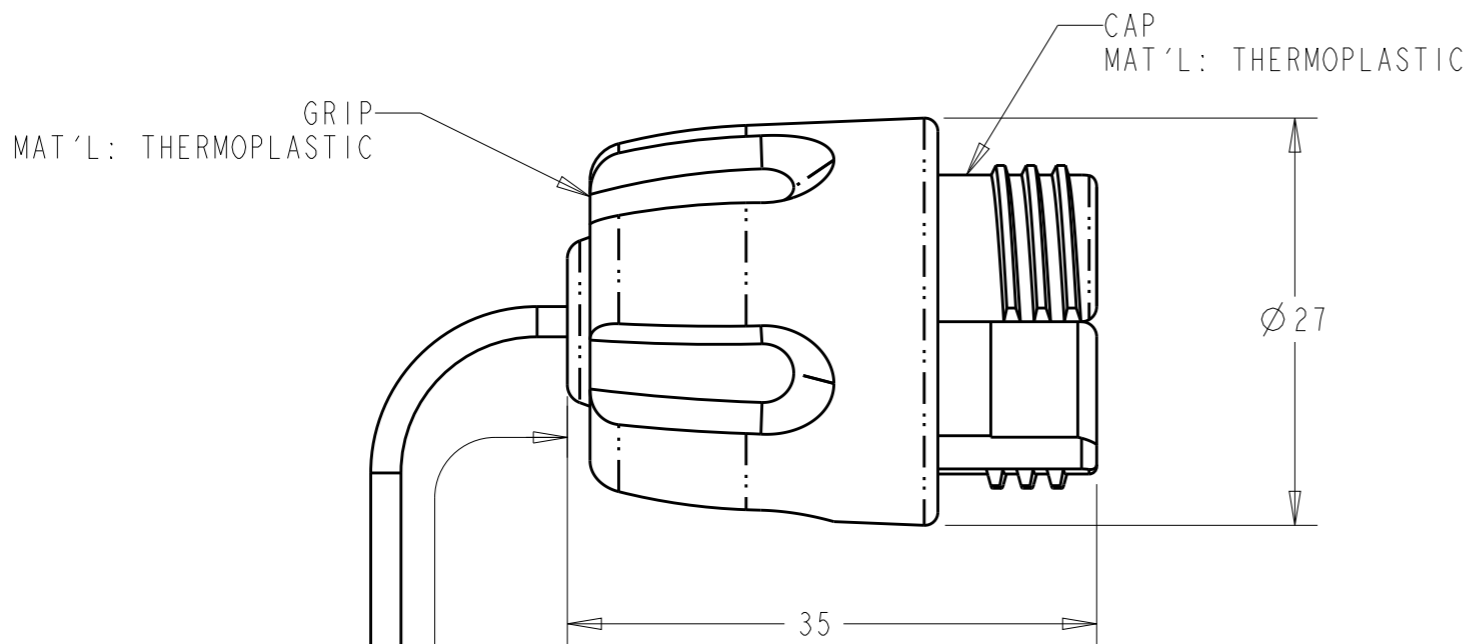


LOC	DIST	REVISIONS			
P	LTR	DESCRIPTION	DATE	DWN	APVD
CE	-	E1	ECR-13-001022	18JAN2013	KG DW



SCALE 1:1

TETHER MAT'L: PLASTICOATED STEEL WIRE

255

Ø27

35

SHRINK TUBE MAT'L: POLYOLEFIN

CRIMP SLEEVE MAT'L: ALUMINUM ALLOY



1. ALL DIMENSIONS ARE FOR REFERENCE ONLY.

2 TO BE COMPLETED BY END USER DURING CONNECTOR ASSEMBLY.

COLOR	DESCRIPTION	PART NUMBER
GREEN	AS SHOWN	1515867-4
BROWN	AS SHOWN	1515867-3
BLACK	WITHOUT SHRINK TUBE AND CRIMP SLEEVE	1515867-2
BLACK	AS SHOWN	1515867-1

THIS DRAWING IS A CONTROLLED DOCUMENT. DIMENSIONING AND TOLERANCING PER ASME Y14.5M-2009

DIMENSIONS:	TOLERANCES UNLESS OTHERWISE SPECIFIED:
mm	
	0 PLC ±-
	1 PLC ±-
	2 PLC ±-
	3 PLC ±-
	4 PLC ±-
	ANGLES ±-
MATERIAL	FINISH

DWN	K. GLATFELTER	12DEC2002
CHK	D. WERTMAN	16DEC2002
APVD	D. WERTMAN	17DEC2002
PRODUCT SPEC	-	
APPLICATION SPEC	-	
WEIGHT	-	

TE Connectivity			
NAME			
PROTECTIVE CAP, PLUG, PRO BEAM JR BULKHEAD PRO BEAM JR.			
SIZE	CAGE CODE	DRAWING NO	RESTRICTED TO
A3	00779	1515867	-
Customer Drawing		SCALE 2:1	SHEET 1 OF 1 REV E1