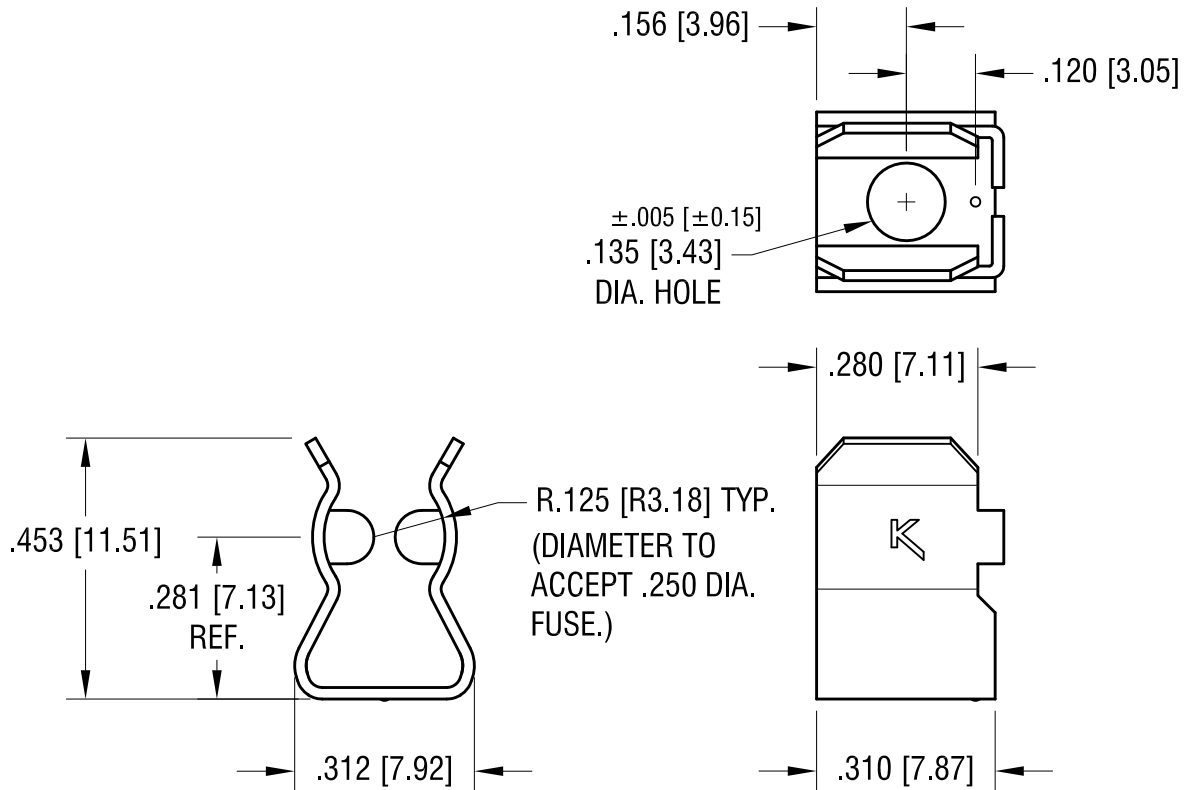


THIS DOCUMENT IS THE PROPERTY OF  
KEYSTONE ELECTRONICS CORP. AND  
SHALL NOT BE REPRODUCED, DISTRIBUTED  
OR USED AS A BASIS FOR MANUFACTURE  
WITHOUT PRIOR WRITTEN PERMISSION  
FROM KEYSTONE ELECTRONICS CORP.

**ACTUAL SIZE**



<b>KEYSTONE ELECTRONICS CORP.</b>			
www.keyelco.com • ASTORIA, N.Y. 11105-2017 • Tel (718) 956-8900			
PART NAME		3AG FUSE CLIP	
MATERIAL		.020 [0.50] TH'K BRASS	
FINISH		DRN BY	DATE
NICKEL PLATE		BOONE	11.9.05
		APP'D	SCALE
		LN	3X
TOLERANCES	INCH [MM]	CODE	DWG NO.
DECIMAL	± .010 [± 0.25]	C	3570
ANGULAR	± 1°		
UNLESS OTHERWISE SPECIFIED			

9.17.12	CHANGE AS PER ECN 12-145	A
DATE	DESCRIPTION	REV.